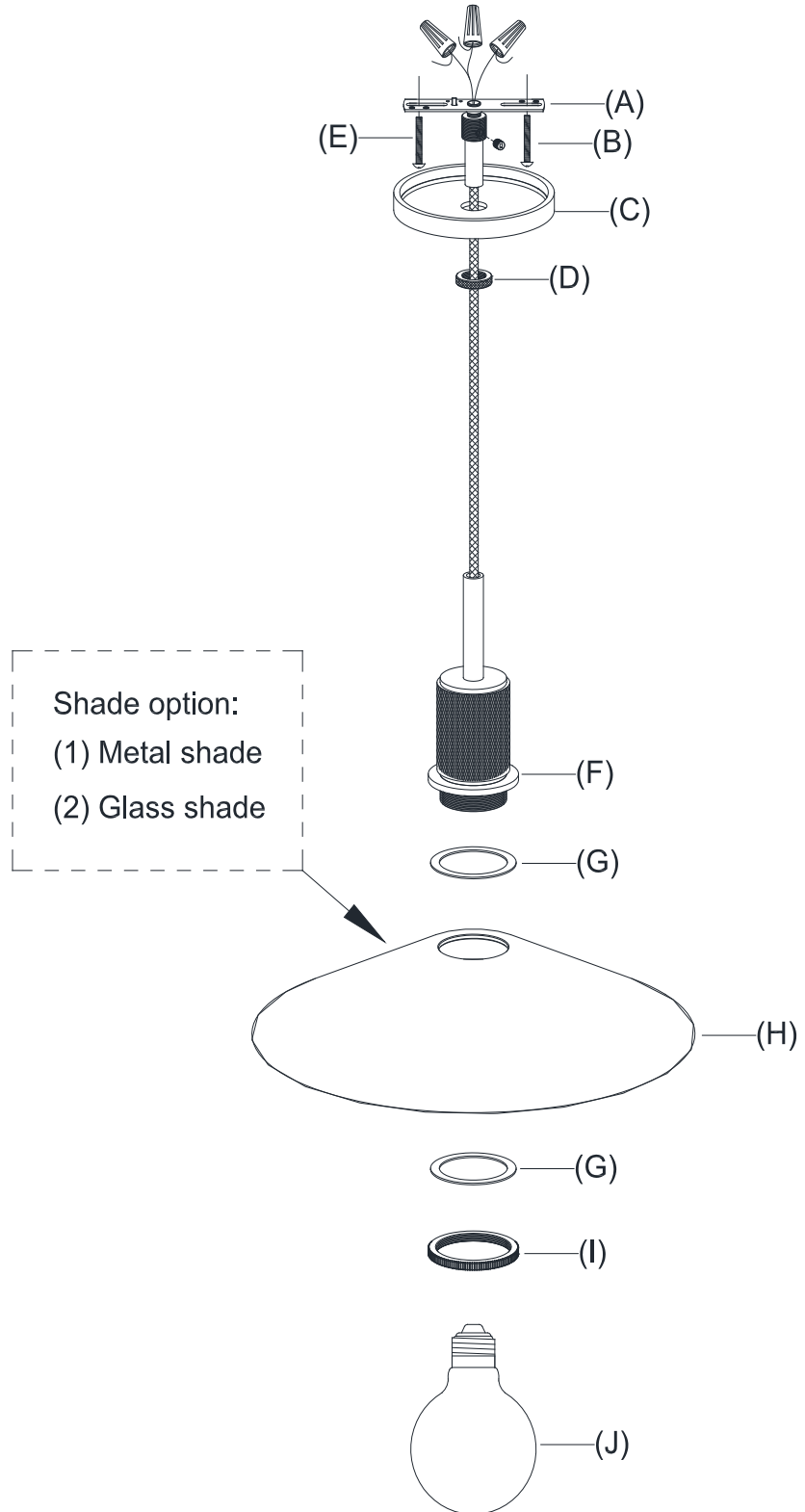


UTILITAIRE SLOPE SHADE PENDANT

PARTS ENCLOSED

- (A) Mounting Strap (1)
- (B) Set Screw (1)
- (C) Canopy (1)
- (D) Canopy Ring (1)
- (E) Mounting Screws (2)
- (F) Socket (1)
- (G) Fiber Washers (2)
- (H) Lamp Shade (1)
- (I) Socket Ring (1)
- (J) Bulb (1)



UTILITAIRE SLOPE SHADE PENDANT

IMPORTANT SAFETY INSTRUCTIONS

INSTALLATION BY A LICENSED ELECTRICIAN IS STRONGLY RECOMMENDED.

This fixture has been rated for one (1) 40-Watt maximum Type G25 lightbulb (included) or one (1) 9-Watt compact fluorescent lightbulb (not included). To avoid the risk of fire, do not exceed the recommended wattage.

WARNINGS

All wires are connected. When unpacking, be careful not to pull wires, as a bad connection may result. Do not connect electricity until your fixture is fully assembled. To reduce the risk of fire, electrical shock, or personal injury, always turn off fixture and allow it to cool prior to replacing the lightbulb. Do not touch or look directly at the bulb when fixture is illuminated. Keep flammable materials away from lit bulb.



WARNING: This product can expose you to lead, which is known to the State of California to cause cancer and birth defects or other reproductive harm. For more information, go to www.P65Warnings.ca.gov.

THIS PRODUCT IS NOT A TOY AND HAS NO PLAY VALUE.



WARNING: STRANGULATION HAZARD

Keep cord at least 3 feet away from cribs, bassinets, and toddler beds. Keep out of reach of children under 3 years of age.

ASSEMBLY & INSTALLATION

SHUT OFF THE MAIN ELECTRICAL SUPPLY FROM THE FUSE BOX OR CIRCUIT BREAKER PANEL.

1. Carefully remove all parts from the box and remove all plastic coverings.
2. Cut the length of the fabric cord according to the hanging height needed. See illustration on next page.
3. Remove Mounting Strap (A) from Canopy (C) by unscrewing Canopy Ring (D) in a counterclockwise direction.

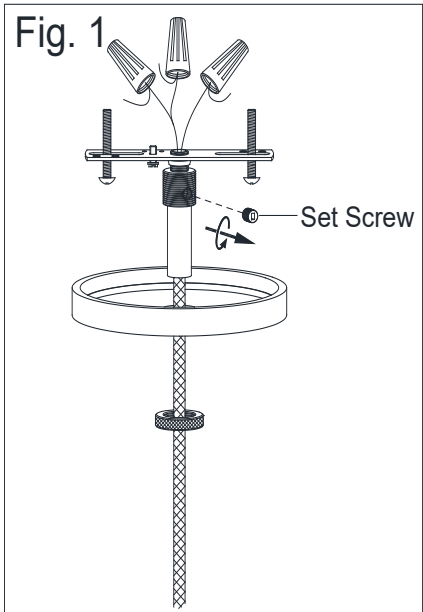
ASSEMBLY & INSTALLATION CONT.

4. Affix Mounting Strap (A) to the ceiling outlet box by aligning the holes and securing with Mounting Screws (E).
5. Gently pull the wire from the ceiling outlet box and allow the wire to hang. Thread the wire through the center hole in Mounting Strap (A).
6. Affix the fixture ground wire (green) to the house ground wire (usually bare copper) from the ceiling outlet box with a wire nut. IT IS IMPERATIVE THAT THE OUTLET BOX IN YOUR HOME BE PROPERLY GROUNDED.
7. Connect the neutral wire (white) to the neutral outlet wire (usually white) with a plastic wire connector and wrap the connection with electrical tape.
8. Connect the hot wire (black) to the hot outlet box wire (usually black) with a plastic wire connector and wrap the connection with electrical tape. DO NOT REVERSE THE HOT AND NEUTRAL CONNECTIONS OR SAFETY WILL BE COMPROMISED.
9. Carefully tuck the wires back into the outlet box.
10. Attach Canopy (C) to the affixed Mounting Strap (A) and secure with Canopy Ring (D).
11. Remove Socket Ring (I) and one Fiber Washer (G) from Socket (F). Attach Shade (H) to Socket (F) and secure by replacing Fiber Washer (G) and Socket Ring (I). Note: The Lamp Shade (H) must be in between the two Fiber Washers (G).
12. Insert Bulb (J) into Socket (F).
13. Restore power to outlet box and check operation of fixture.
14. Assembly is complete.

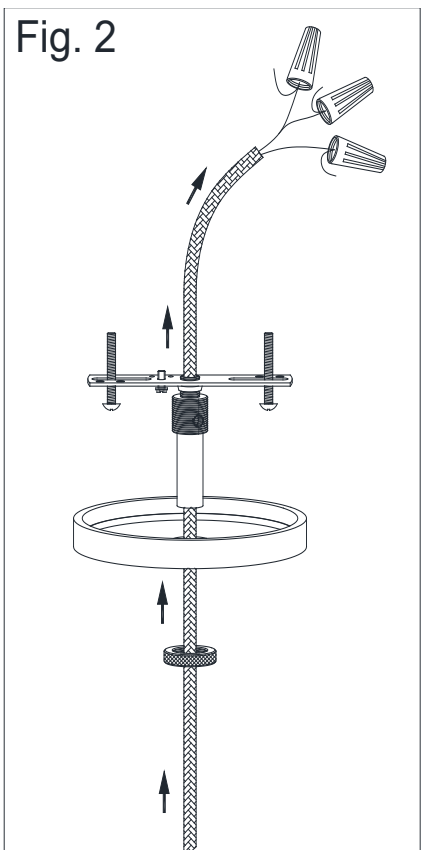
CARE INSTRUCTIONS

Do not use polishes or cleaners on the fixture. Wipe clean with a soft, dry cloth.

UTILITAIRE SLOPE SHADE PENDANT



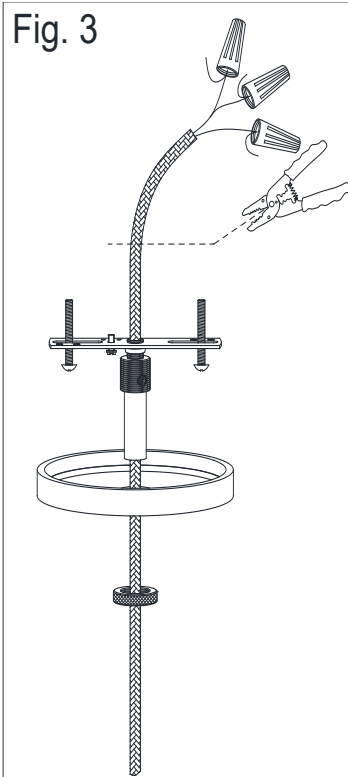
1. Remove Set Screw (B) by turning in a clockwise direction from the mounting loop.



1. Pull the wires out.

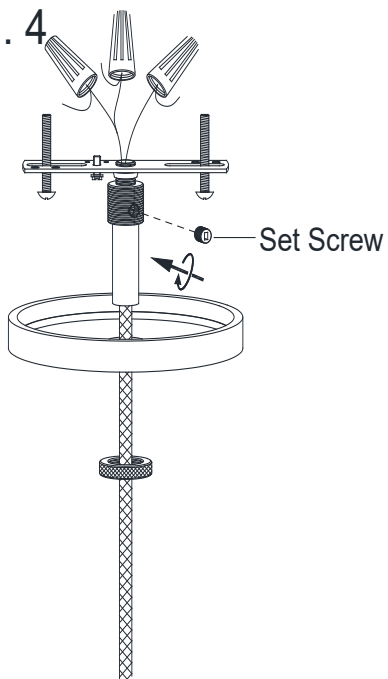
UTILITAIRE SLOPE SHADE PENDANT

Fig. 3



1. Cut the wires to the desired height.

Fig. 4



1. Tighten Set Screws (B) in a counter-clockwise direction to keep wires in place.