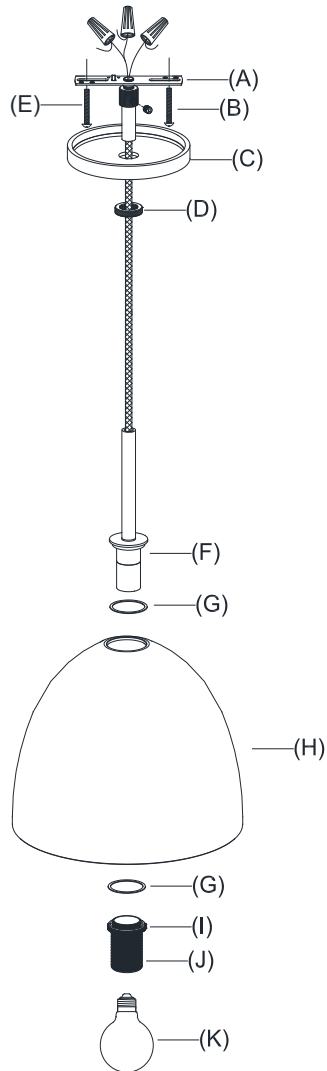


UTILITAIRE CLOCHE 8" PENDANT

PARTS ENCLOSED

- (A) Mounting Plate (1)
- (B) Set Screw (1)
- (C) Canopy (1)
- (D) Canopy Ring (1)
- (E) Mounting Screws (2)
- (F) Socket (1)
- (G) Washers (2)
- (H) Glass Shade (1)
- (I) Location Ring (1)
- (J) Socket Cover (1)
- (K) Bulb (1)



UTILITAIRE CLOCHE 8" PENDANT

IMPORTANT SAFETY INSTRUCTIONS

INSTALLATION BY A LICENSED ELECTRICIAN IS STRONGLY RECOMMENDED.

This fixture has been rated for one (1) 40-Watt maximum Type G 25 lightbulb (K) (included) or one (1) 9-Watt CFL lightbulb (not included).

To avoid the risk of fire, do not exceed the recommended wattage.

WARNINGS

All wires are connected. When unpacking, be careful not to pull wires, as a bad connection may result. Do not connect electricity until your fixture is fully assembled. To reduce the risk of fire, electrical shock, or personal injury, always turn off fixture and allow it to cool prior to replacing the lightbulb. Do not touch or look directly at the bulb when fixture is illuminated. Keep flammable materials away from lit bulb.



WARNING: This product can expose you to lead, which is known to the State of California to cause cancer and birth defects or other reproductive harm. For more information, go to www.P65Warnings.ca.gov.

THIS IS NOT A TOY AND THE PRODUCT HAS NO PLAY VALUE.



WARNING: STRANGULATION HAZARD

Keep cord at least 3 ft away from cribs, bassinets, and toddler beds.

Keep out of reach of children under 3.

ASSEMBLY & INSTALLATION

SHUT OFF THE MAIN ELECTRICAL SUPPLY FROM THE FUSE BOX OR CIRCUIT BREAKER PANEL.

1. Carefully remove all parts from the box and remove all plastic covering.
2. Cut the length of fabric cord according to the hanging height needed. Refer to the next page for the detail.
3. Remove Mounting Plate (A) from Canopy (C) by unscrewing Canopy Ring (D) in a counter-clockwise direction.
4. Attach Mounting Plate (A) to ceiling outlet box by aligning the

ASSEMBLY & INSTALLATION CONT.

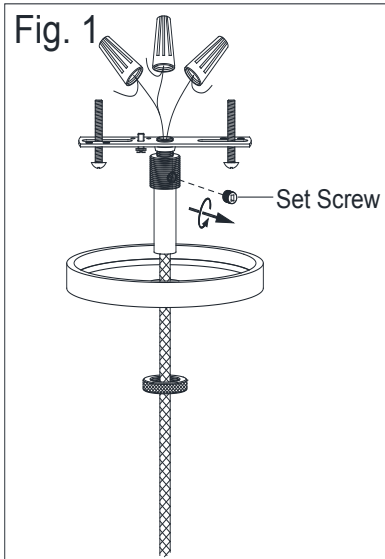
holes and secure with Mounting Screws (E).

5. Gently pull the wire from ceiling outlet box and allow the wire to hang. Thread the wire through the center hole in Mounting Plate (A).
6. Attach the fixture ground wire (GREEN) and house ground wire (usually green or bare wire) to ceiling outlet box with the green grounding screw. Connect fixtures to corresponding house wire with a wire nut. Carefully tuck the wires back into the outlet box. **IT IS IMPERATIVE THAT THE OUTLET BOX IN YOUR HOME BE PROPERLY GROUNDED.**
7. Connect the neutral wire (WHITE) to the neutral outlet wire (usually white) with a plastic wire connector and wrap the connection with electrical tape.
8. Connect the hot wire (BLACK) to the hot outlet box wire (usually black) with a plastic wire connector and wrap the connection with electrical tape. **DO NOT REVERSE THE HOT AND NEUTRAL CONNECTIONS; OTHERWISE, SAFETY WILL BE COMPROMISED.**
9. Attach Canopy (C) to the affixed Mounting Plate (A) and secure with Canopy Ring (D).
10. Remove Socket Cover (J) from Socket (F) by turning in a clockwise direction. Attach Fiber Washer (G) and Glass Shade (H) to Socket (F) and secure by replacing another Fiber Washer (G) and Socket Cover (J) to Socket (C).
 - Note: The top of Glass Shade (H) must be in between two Fiber Washers (G). Adjust the Location Ring (I) up or down slightly in order to secure the Glass Shade (H) in place.
11. Insert the Bulb (K) into the Socket (F).
12. Restore power to outlet box and check operation of fixture.
13. Assembly is complete.

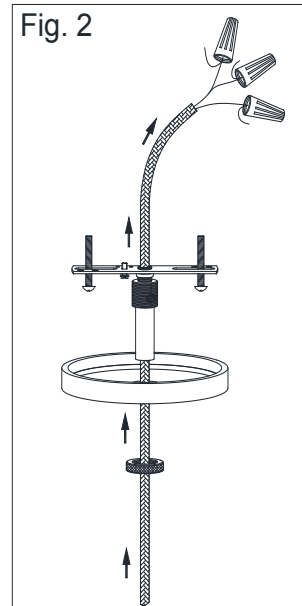
CARE INSTRUCTIONS

Do not use polishes or cleaners on your lamp. Just wipe clean with a soft cloth.

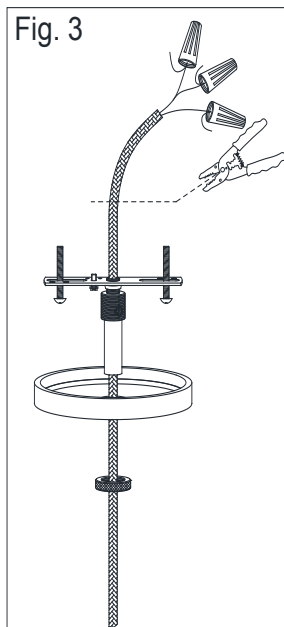
UTILITAIRE CLOCHE 8" PENDANT



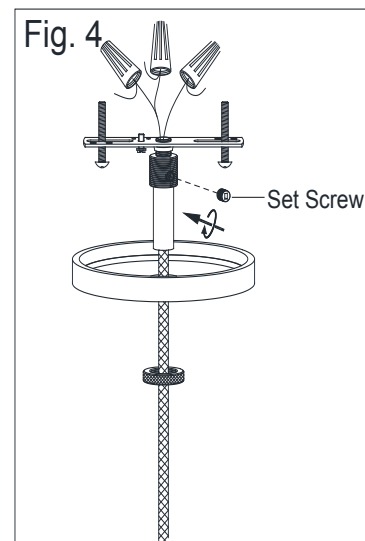
1. REMOVE SET SCREW FROM MOUNTING LOOP.



2. PULL THE WIRES OUT.



3. CUT THE WIRES TO DESIRED HEIGHT.



4. TIGHTEN THE SET SCREWS.