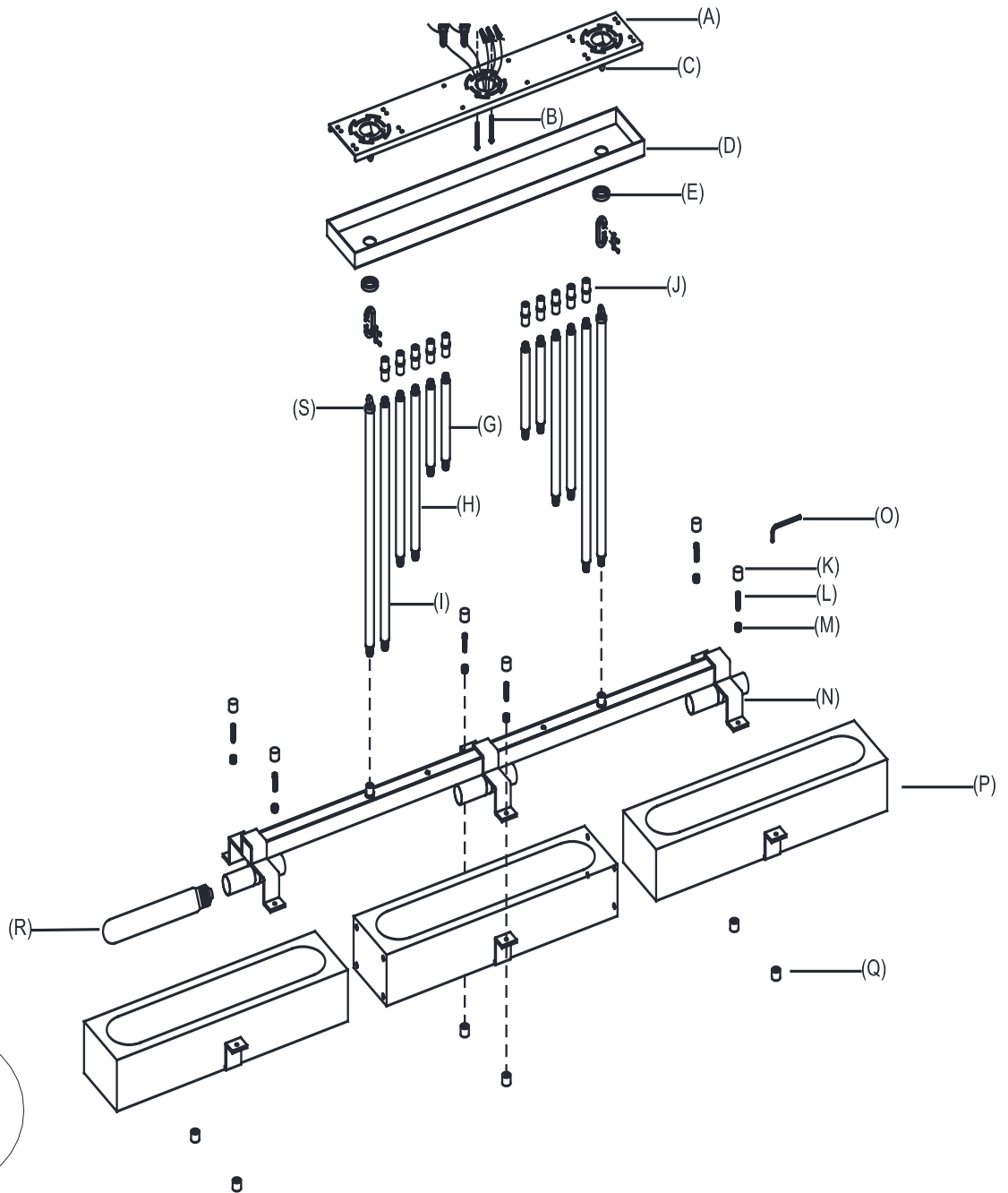


SAVILE LINEAR CHANDELIER 72"

PARTS ENCLOSED

- (A) Mounting Plate (1)
- (B) Mounting Screws (2)
- (C) Mounting Loops (2)
- (D) Canopy (1)
- (E) Canopy Rings (2)
- (F) Links (2)
- (G) 6" Connection Rods (2)
- (H) 12" Connection Rods (2)
- (I) 18" Connection Rods (2)
- (J) Connectors (10)
- (K) Top Threaded Caps (6)
- (L) Bolts (6)
- (M) Nuts (6)
- (N) Socket Bracket (1)
- (O) Allen Wrench (1)
- (P) Shades (3)
- (Q) Bottom Threaded Caps (6)
- (R) Bulbs (6)
- (S) Hanging Loops (2)



Install safety cable:

1. Wrap the safety cable into the slot hole on the mounting plate.
2. Wrap the safety cable around the saddle (a).
3. Insert U-bolt clip (b) into the saddle (a) and secure with the nuts (c).

SAVILE LINEAR CHANDELIER 72"

IMPORTANT SAFETY INSTRUCTIONS

INSTALLATION BY A LICENSED ELECTRICIAN IS STRONGLY RECOMMENDED.

This fixture has been rated for six (6) 40-watt maximum Type T lightbulbs or six (6) 9-watt compact fluorescent lightbulbs. To avoid the risk of fire, do not exceed the recommended wattage.

WARNINGS

All wires are connected. When unpacking, be careful not to pull wires, as a bad connection may result. Do not connect electricity until your fixture is fully assembled. To reduce the risk of fire, electrical shock, or personal injury, always turn off fixture and allow it to cool prior to replacing the lightbulb. Do not touch or look directly at the bulb when fixture is illuminated. Keep flammable materials away from lit bulb.



WARNING: This product can expose you to lead, which is known to the State of California to cause cancer and birth defects or other reproductive harm. For more information, go to www.P65Warnings.ca.gov.

THIS PRODUCT IS NOT A TOY AND HAS NO PLAY VALUE.



WARNING: STRANGULATION HAZARD

Keep cord at least 3 feet away from cribs, bassinets, and toddler beds. Keep out of reach of children under 3 years of age.

ASSEMBLY & INSTALLATION

SHUT OFF THE MAIN ELECTRICAL SUPPLY FROM THE FUSE BOX OR CIRCUIT BREAKER PANEL.

1. Carefully remove all parts from the box and remove all plastic coverings.
2. Remove Mounting Plate (A) from Canopy (D) by unscrewing Canopy Rings (E)
3. Install Mounting Plate (A) to the ceiling outlet box and secure with Mounting Screws (B) and other proper faster hard wire in your local store.
4. Determine desired overall length, feed the wires and safety cable through some or all Connection Rods (G) (H) (I) and Connectors (J).

ASSEMBLY & INSTALLATION CONT.

5. Determine desired overall length, connect some or all Connection Rods (G) (H) (I) and Connectors (J) to the joint of Socket Bracket (N).
6. Feed the wires and safety cable through Canopy Ring (E) and Canopy (D).
7. Slide Canopy Ring (E) and Canopy (D) on Connection Rods (G) (H) (I) carefully.
8. Open Links (F) by unscrewing the screws on Links (F). Connect Hanging Loops (S) to Mounting Loops (C) by securing Links (F).
9. Connect the safety steel wire from the fixture and the safety cable from the ceiling. Refer to the illustration on previous page.
10. Wrap fixture ground wire (bare copper) around the green grounding screw and tighten. Continue fixture ground wire and connect to supply ground wire (usually green or bare copper) using a wire nut. NOTE: It is imperative that the fixture is grounded.
11. Connect fixture neutral wire (ribbed) to the supply neutral wire (usually white) using a wire nut.
12. Connect fixture hot wire (smooth with markings) to the supply hot wire (usually black) using a wire nut. CAUTION: Do not reverse the hot and neutral connections.
13. Make sure all wire connections are tight, then carefully tuck into the junction box.
14. Install Canopy (D) to the affixed Mounting Plate (B) and secure with Canopy Rings (E).
15. Remove Bolts (L) and Nuts (M) from Socket Bracket (N) by removing Top Threaded Caps (K) and Bottom Threaded Caps (Q). Install Socket Bracket (N) to Shades (P) by aligning the holes and secure with Nuts (M), Bolts (L), Top Threaded Caps (K) and Bottom Threaded Caps (Q). Tighten with Allen wrench (O).
16. Insert Bulbs (R) into each of the sockets.
17. Restore power to outlet box and check operation of fixture.
18. Assembly is complete.

CARE INSTRUCTIONS

Do not use polishes or cleaners on the fixture. Wipe clean with a soft, dry cloth.