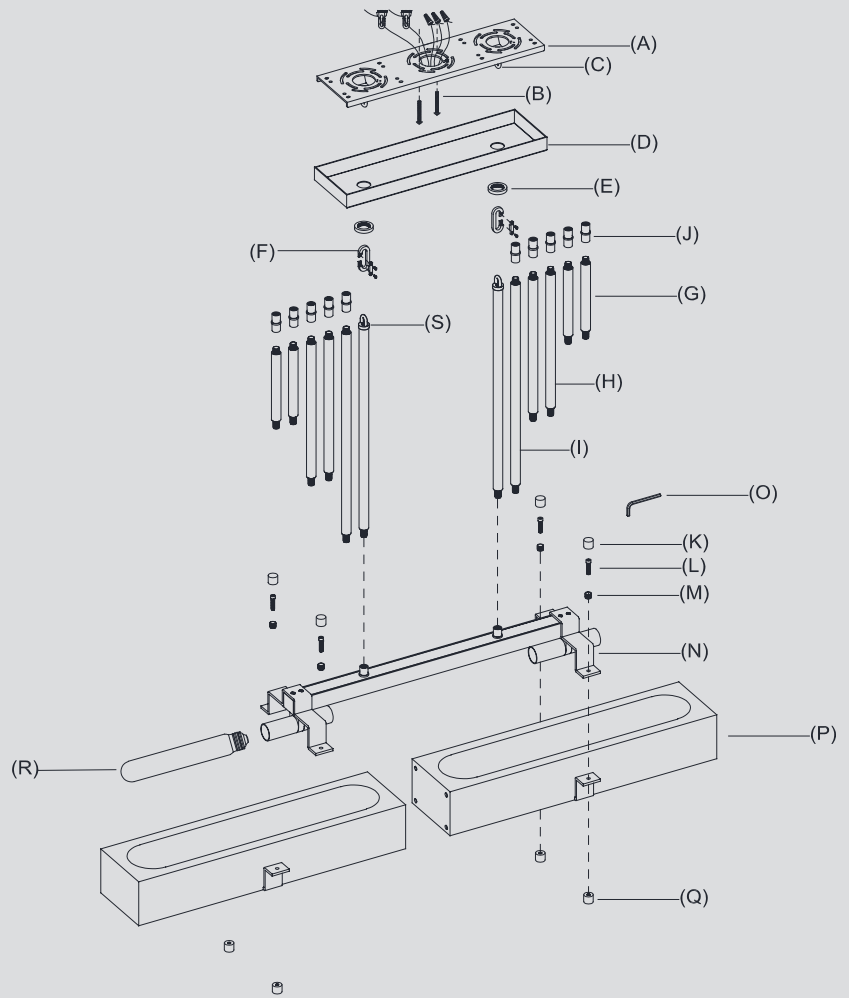


SAVILE LINEAR CHANDELIER 48"
ASSEMBLY & INSTALLATION INSTRUCTIONS
ENGLISH

SAVILE LINEAR CHANDELIER 48" ENGLISH

PARTS INCLUDED

- (A) Mounting Plate (1)
- (B) Mounting Screws (2)
- (C) Mounting Loops (2)
- (D) Canopy (1)
- (E) Canopy Rings (2)
- (F) Links (2)
- (G) 6" Connection Rods (2)
- (H) 12" Connection Rods (2)
- (I) 18" Connection Rods (2)
- (J) Connectors (10)
- (K) Top Threaded Caps (4)
- (L) Bolts (4)
- (M) Nuts (4)
- (N) Socket Bracket (1)
- (O) Allen Wrench (1)
- (P) Shades (2)
- (Q) Bottom Threaded Caps (4)
- (R) Bulbs (4)
- (S) Hanging Loops (2)



IMPORTANT: PLEASE READ

PLEASE FOLLOW THE ASSEMBLY INSTRUCTIONS CLOSELY. IMPROPER ASSEMBLY OR INSTALLATION CAN RESULT IN PERSONAL OR PROPERTY DAMAGE.

THIS FIXTURE MUST BE MOUNTED DIRECTLY TO THE STRUCTURAL SUPPORT IN YOUR CEILING USING HARDWARE THAT IS SUITABLE FOR YOUR SPECIFIC APPLICATION. INSTALLATION HARDWARE IS NOT PROVIDED AND MUST BE PURCHASED FROM A LOCAL HARDWARE STORE.

INSTALLATION BY A LICENSED ELECTRICIAN FAMILIAR WITH HEAVY LIGHTING FIXTURES IS STRONGLY RECOMMENDED.

IMPORTANT SAFETY FEATURES

BULBS

This fixture has been rated for up to four (4) 40-watt maximum Type T incandescent lightbulbs or up to four (4) 9-watt maximum LED lightbulbs. To avoid the risk of fire, do not exceed the recommended wattage.

VAULTED-CEILING COMPATIBILITY

This fixture is vaulted-ceiling compatible, up to a maximum ceiling slope of 20 degrees.

DIMMER-SWITCH COMPATIBILITY

This fixture is dimmer-switch compatible, and may only be used with a forward-phase dimmer switch.

CEILING REINFORCEMENT

Fixtures weighing 50 lb. or more will require additional reinforcement above the ceiling where they are to be installed.

WARNINGS

All wires are connected. When unpacking, be careful not to pull wires, as damage may result. Do not connect electricity until the fixture is fully assembled. To reduce the risk of fire, electrical shock or personal injury, always turn off fixture and allow it to cool prior to replacing the lightbulb. Do not touch or look directly at the bulb when fixture is illuminated. Keep flammable materials away from lit bulb.



WARNING: This product can expose you to lead, which is known to the State of California to cause cancer and birth defects or other reproductive harm. For more information, go to www.P65Warnings.ca.gov.

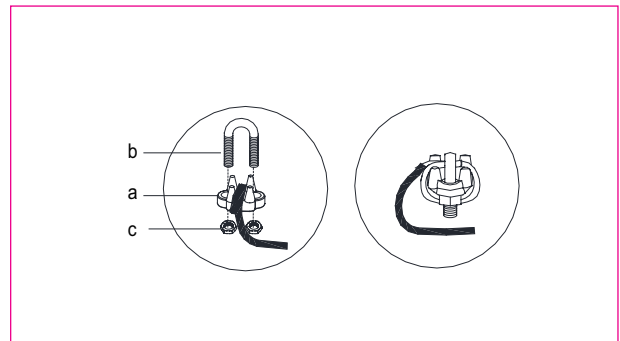
WARNING: STRANGULATION HAZARD

Keep cord at least 3 feet away from cribs, bassinets and toddler beds. Keep out of reach of children under 3 years of age.

THIS PRODUCT IS NOT A TOY AND HAS NO PLAY VALUE

INSTALL SAFETY CABLE:

1. Run safety cable through the junction box and around a structural member of the building.
2. Wrap the safety cable around the saddle (a), and secure with u-bolt (b) and hex nuts (c).



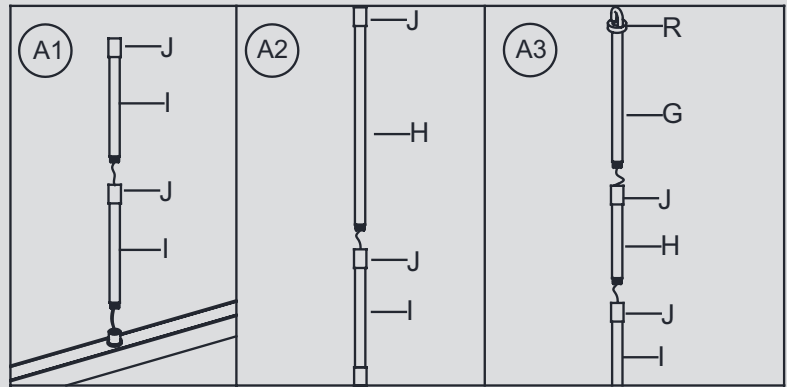
ASSEMBLY AND INSTALLATION

**SHUT OFF THE MAIN ELECTRICAL SUPPLY FROM
THE FUSE BOX OR CIRCUIT BREAKER PANEL.**

1. Carefully remove all parts from the box and remove all plastic coverings.
2. Remove Mounting Plate (A) from Canopy (D) by unscrewing Canopy Rings (E).
3. Attach Mounting Plate (A) to the ceiling outlet box and secure with Mounting Screws (B) and attach to your ceiling support structure using appropriate hardware for your application (not provided). NOTE: Your ceiling may require modification in order to support the weight of this fixture.
4. Determine desired overall length, then feed the wires and safety cable through some or all Connection Rods (G) (H) (I) and Connectors (J).
5. Determine desired overall length, then connect some or all Connection Rods (G) (H) (I) and Connectors (J) to the joint of Socket Bracket (N).
6. Feed the wires and safety cable through Canopy Ring (E) and Canopy (D).
7. Slide Canopy Ring (E) and Canopy (D) on Connection Rods (G) (H) (I).
8. Open Links (F) by unscrewing the screws on Links (F). Connect Hanging Loops (S) to Mounting Loops (C) by securing Links (F).
9. Connect the safety steel wire from the fixture and the safety cable from the ceiling. Refer to the illustration on previous page.
10. Wrap fixture ground wire (bare copper) around the green grounding screw and tighten. Continue feeding fixture ground wire and connect to supply ground wire (usually green or bare copper) using a wire nut. NOTE: It is imperative that the fixture is grounded.
11. Connect fixture neutral wire (ribbed) to the supply neutral wire (usually white) using a wire nut.
12. Connect fixture hot wire (smooth with markings) to the supply hot wire (usually black) using a wire nut. CAUTION: Do not reverse the hot and neutral connections.
13. Make sure all wire connections are tight, then carefully tuck into the junction box.
14. Attach Canopy (D) to the affixed Mounting Plate (A) and secure with Canopy Ring (E).
15. Remove Bolts (L) and Nuts (M) from Socket Bracket (N) by removing Top Threaded Caps (K) and Bottom Threaded Caps (Q). Attach Socket Bracket (N) to Shade (P) by aligning the holes and securing with Nuts (M), Bolts (L), Top Threaded Caps (K) and Bottom Threaded Caps (Q). Tighten using Allen Wrench (O).
16. Insert Bulbs (R) into each of the sockets.
17. Restore power to outlet box and check operation of fixture.
18. Assembly is complete.

HEIGHT ADJUSTMENT INSTRUCTIONS

1. Feed the wires through Rod (I), then thread Rod (I) onto the joint of Cap (L).
2. Feed the wires through Rod (H), then thread Rod (H) onto Rod (I).
3. Feed the wires through Rod (G), then thread Rod (G) onto Rod (H).



SAVILE LINEAR CHANDELIER 48" ENGLISH

ATTENTION: ADJUSTING THE HANG HEIGHT

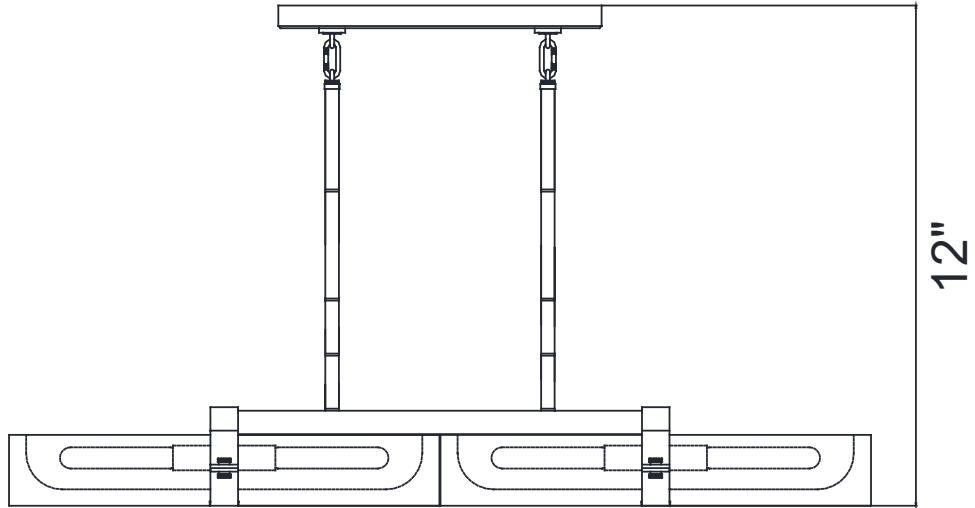
Any adjustments or alterations to the fixture, cord or overall hang height that differ from those detailed on RH.com will void the Laboratory Listing and Approvals (UL, ETL, CSA, etc.). If the listing is voided, this means the product may no longer be safe for use as modified. RH does not recommend modifying the product.

CARE INSTRUCTIONS

Do not use polishes or cleaners on the fixture. Wipe clean with a soft, dry cloth.

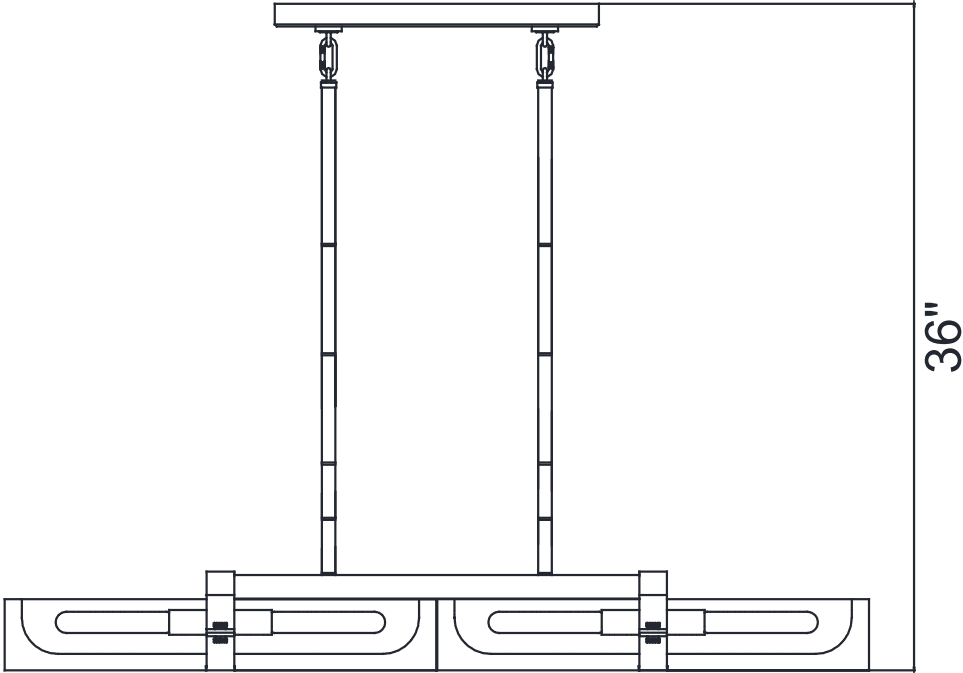
SAVILE LINEAR CHANDELIER 48" ENGLISH

10' CEILING HEIGHT



SAVILE LINEAR CHANDELIER 48" ENGLISH

11' CEILING HEIGHT



SAVILE LINEAR CHANDELIER 48" ENGLISH

12' CEILING HEIGHT

