

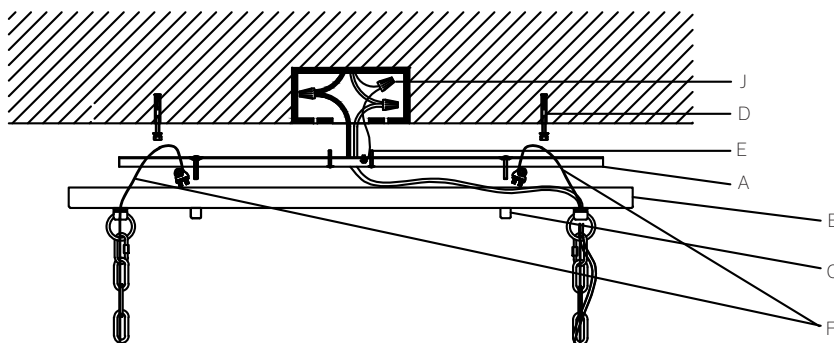
SAN MARCO RECTANGULAR CHANDELIER 72"

ASSEMBLY AND INSTALLATION INSTRUCTIONS
ENGLISH

SAN MARCO RECTANGULAR CHANDELIER 72"

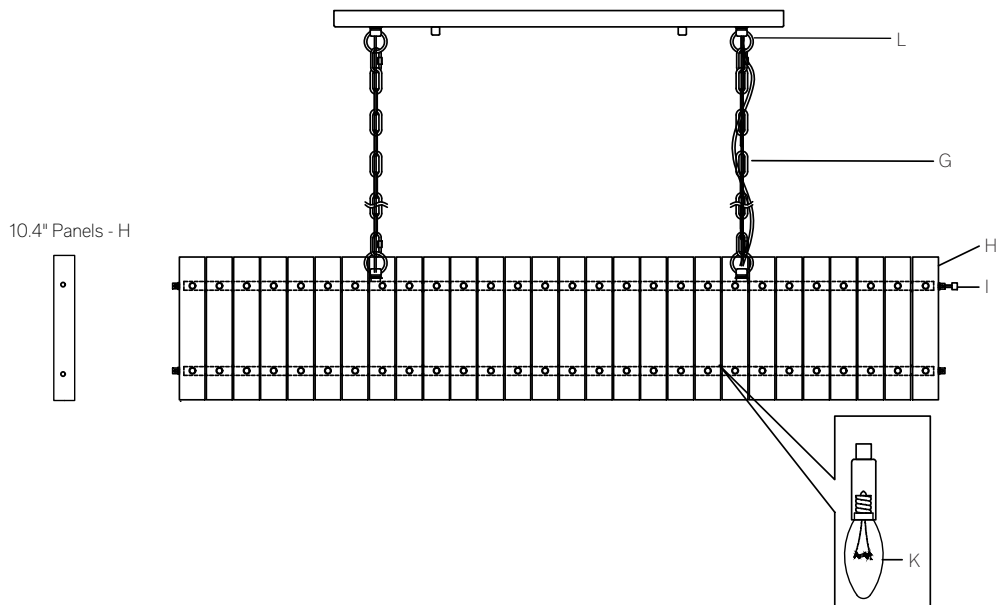
PARTS INCLUDED

- (A) Ceiling Bracket (1)
- (B) Ceiling Canopy (1)
- (C) Retaining Nuts (2)
- (D) Bolts (4)
- (E) Screws (2)
- (F) Safety Cables (2)
- (G) Chains (2)
- (H) 10.4" Panels (89)
- (I) Nuts (179)
- (J) Wire Caps (3)
- (K) Bulbs (12)
- (L) Rings (4)



TOOLS NEEDED (NOT INCLUDED)

- Power Drill
- Phillips Screwdriver
- Wrench
- Electrical Tape
- Pliers



IMPORTANT: PLEASE READ

PLEASE FOLLOW THE ASSEMBLY INSTRUCTIONS CLOSELY. IMPROPER ASSEMBLY OR INSTALLATION CAN RESULT IN PERSONAL OR PROPERTY DAMAGE. MOUNTING HARDWARE HAS BEEN PROVIDED FOR MOUNTING TO A WOODEN STRUCTURAL BEAM. UNIQUE OR ALTERNATIVE INSTALLATION TYPES MAY REQUIRE DIFFERENT MOUNTING HARDWARE, WHICH HAS NOT BEEN INCLUDED. ALWAYS CONSULT WITH A LICENSED ELECTRICIAN BEFORE INSTALLATION.

INSTALLATION BY A LICENSED ELECTRICIAN IS STRONGLY RECOMMENDED.

IMPORTANT SAFETY FEATURES

BULBS

This fixture has been rated for up to 12 (twelve) 40-watt maximum E12 Type B incandescent lightbulbs, or up to 12 (twelve) 5-watt maximum LED E12 Type B lightbulbs. To avoid the risk of fire, do not exceed the recommended wattage.

VAULTED CEILING COMPATIBILITY

This fixture is vaulted-ceiling compatible, up to a maximum ceiling slope of 30 degrees.

DIMMER SWITCH COMPATIBILITY

This fixture is dimmer-switch compatible, and may only be used with a forward-phase dimmer switch.

CEILING REINFORCEMENT

Fixtures weighing 50 lbs. or more will require additional reinforcement above the ceiling where they are to be installed.

WARNINGS

All wires are connected. When unpacking, be careful not to pull wires, as damage may result. Do not connect electricity until the fixture is fully assembled. To reduce the risk of fire, electrical shock, or personal injury, always turn off the fixture and allow it to cool prior to replacing the lightbulbs. Do not touch or look directly at the bulbs when the fixture is illuminated. Keep flammable materials away from lit bulbs.

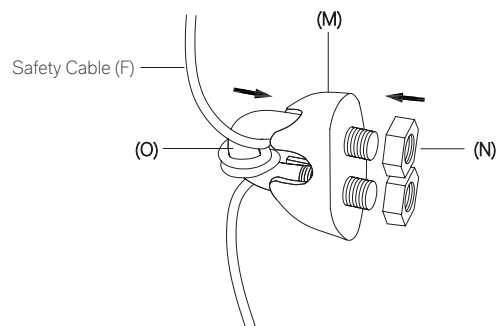
WARNING: STRANGULATION HAZARD

Keep cord at least 3 feet away from cribs, bassinets, and toddler beds. Keep out of reach of children under 3 years of age.

THIS PRODUCT IS NOT A TOY AND HAS NO PLAY VALUE.

INSTALL SAFETY CABLES:

1. Remove Hex Nuts (N) from Cable Lock Nut (O) and pull Cable Lock Nut (O) from Cable Clamp (M).
2. Wrap Safety Cable (F) around Cable Lock Nut (O).
3. Secure by tightening both Hex Nuts (N).

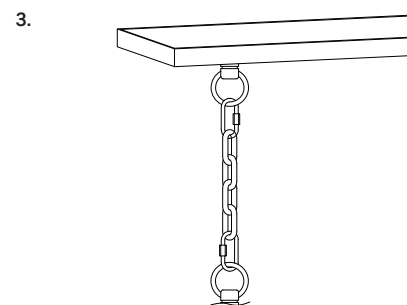
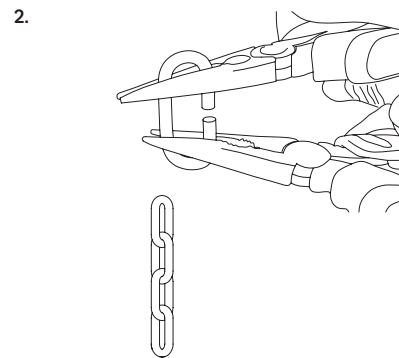
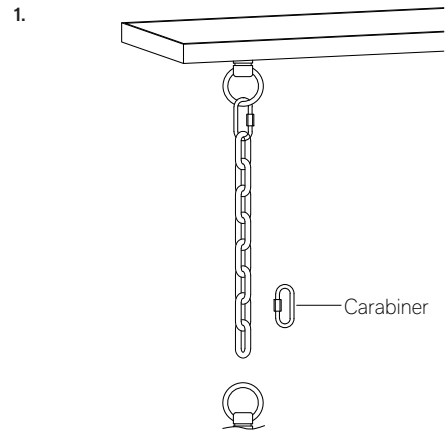


ASSEMBLY AND INSTALLATION**SHUT OFF THE MAIN ELECTRICAL SUPPLY
FROM THE FUSE BOX OR CIRCUIT BREAKER**

1. Carefully remove all parts from the packaging and place everything on a flat surface. Check that you have all the parts listed on the previous page before beginning assembly.
2. Determine the desired hanging length of the fixture. Connect Chains (G) according to the height desired. Adjust the chain length per the instructions and diagram on the next page.
3. Remove Ceiling Bracket (A) from Ceiling Canopy (B) by unscrewing Retaining Nuts (C).
4. Use Ceiling Bracket (A) as your guide to mark hole locations on the ceiling with a pencil. Then, drill 4 (four) holes into the ceiling in the hole locations you marked. The depth of the holes should match the size of Bolts (D). Then remove the nuts attached to Bolts (D) and install Bolts (D) onto the ceiling (not including the nuts).
5. Fasten Ceiling Bracket (A) onto the ceiling by using the nuts which have been removed from Bolts (D).
6. Thread the fixture wire(s) and Safety Cables (F) through the links of Chains (G), from bottom to top 5 (five) times each. Then thread the links through the suspension eye and Ceiling Canopy (B). Connect the 3 (three) fixture wires and Safety Cables (F) to Ceiling Bracket (A) with the included cable locks. Connect the clear wire from the fixture to the positive wire from the outlet box with a Wire Cap (J). Connect the white wire from the fixture to the neutral wire from the outlet box with a Wire Cap (J). Connect the green wire from the fixture to the ground wire from the outlet box with a Wire Cap (J). Then secure all wires by wrapping them with electrical tape.
7. Take Ceiling Canopy (B) and match it to the holes of Ceiling Bracket (A). Then, use Retaining Nuts (C) to tighten it and attach it to the ceiling.
8. Check whether Chains (G) connections are sufficiently strong. Carefully lower the fixture until the links are taut.
9. Insert Bulbs (K) into the fixture sockets. **DO NOT EXCEED THE SPECIFIED WATTAGE.**
10. Remove all Nuts (I) from the fixture frame. Install 10.4" Panels (H) on the fixture frame with Nuts (I). The 10.4" Panels (H) can be adjusted by loosening Nuts (I) and sliding the panels up or down slightly, then re-tighten Nuts (I).
11. There is a small hexagon wrench inside the accessory pack. It can be used to tighten or change the inner hexagon screws on Rings (L).
12. Assembly is complete.

HEIGHT ADJUSTMENT INSTRUCTIONS

1. Adjust the chain length with the included Carabiner, according to the height desired.
2. Open the link that's not needed with pliers, and remove the remaining unnecessary links. Reattach the chain to the fixture using the Carabiner.
3. Height adjustment is complete.



ATTENTION: ADJUSTING THE HANG HEIGHT

Any adjustments or alterations to the fixture, cord, or overall hang height that differ from those detailed on RH.com will void the Laboratory Listing and Approvals (UL, ETL, CSA, etc.). If the listing is voided, this means the product may no longer be safe for use as modified. RH does not recommend modifying the product.

CARE INSTRUCTIONS

Do not use polishes or cleaners on the fixture.

Wipe clean with a soft, dry cloth.