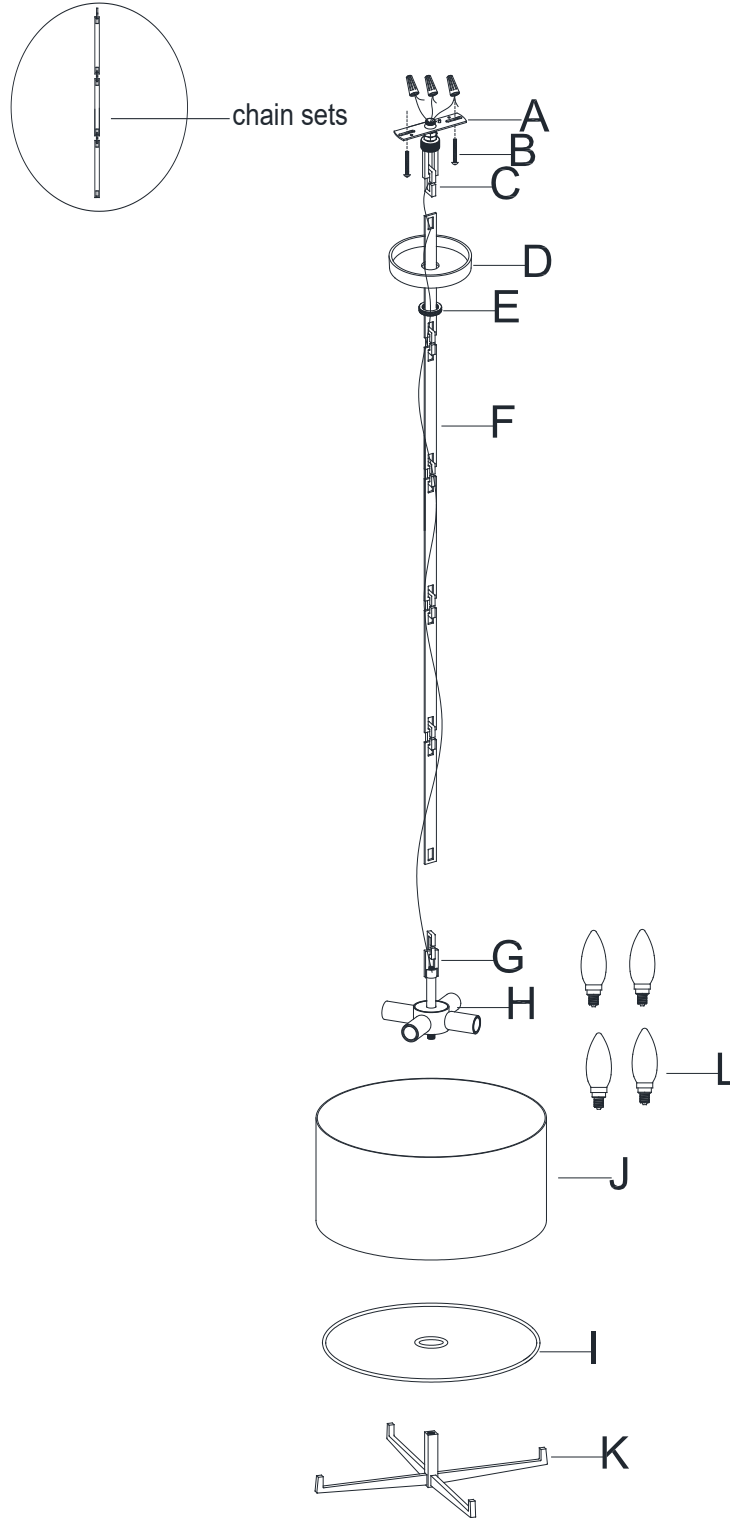


RYDER PENDANT 19"

PARTS ENCLOSED

- (A) Mounting Strap (1)
- (B) Mounting Screws (2)
- (C) Mounting Loop (1)
- (D) Canopy (1)
- (E) Canopy Ring (1)
- (F) Chain Sets (8)
- (G) Hanging Loop (1)
- (H) Socket Assembly (1)
- (I) Diffuser (1)
- (J) Shade (1)
- (K) Shade Bracket (1)
- (L) Bulbs (4)



## RYDER PENDANT 19"

### IMPORTANT SAFETY INSTRUCTIONS

INSTALLATION BY A LICENSED ELECTRICIAN IS STRONGLY RECOMMENDED.

This fixture has been rated for up to four (4) 60-Watt maximum Type C lightbulbs (not included), four (4) 13-Watt compact fluorescent lightbulb (not included) or four (4) 4.5-Watt SBLED light bulbs (L) (4-Watt SBLED light bulbs included). To avoid the risk of fire, do not exceed the recommended wattage.

### WARNINGS

All wires are connected. When unpacking, be careful not to pull wires, as a bad connection may result. Do not connect electricity until your fixture is fully assembled. To reduce the risk of fire, electrical shock, or personal injury, always turn off fixture and allow it to cool prior to replacing the light bulb. Do not touch or look directly at the bulb when fixture is illuminated. Keep flammable materials away from lit bulb.



**WARNING:** This product can expose you to lead, which is known to the State of California to cause cancer and birth defects or other reproductive harm. For more information, go to [www.P65Warnings.ca.gov](http://www.P65Warnings.ca.gov).

THIS PRODUCT IS NOT A TOY AND HAS NO PLAY VALUE.



**WARNING: STRANGULATION HAZARD**

Keep cord at least 3 feet away from cribs, bassinets, and toddler beds. Keep out of reach of children under 3 years of age.

### ASSEMBLY & INSTALLATION

SHUT OFF THE MAIN ELECTRICAL SUPPLY FROM THE FUSE BOX OR CIRCUIT BREAKER PANEL.

1. Carefully remove all parts from the box and remove all plastic coverings.
2. According to the hanging length, hook some or all Chains Set (F) to Hanging Loop (G).
3. Remove Canopy (D) from Mounting Strap (A) by unscrewing Canopy Ring (E).
4. Slide Canopy Ring (E) and Canopy (D) on Chains Set (F).

### ASSEMBLY & INSTALLATION CONT.

5. Feed the wires through Chains Set (F), Canopy Ring (E), and Canopy (D).
6. Attach Mounting Strap (A) to ceiling and secure with Mounting Screws (B).
7. Hook Chains Set (F) to Mounting Loop (C).
8. Gently pull the wire from ceiling outlet box and allow the wire to hang. Thread the wire through the center hole of Mounting Strap (A).
9. Carefully inspect the chandelier's two fixture wires. One has very fine ridges molded into the plastic covering – this is the neutral wire. The second wire's covering is smooth – this is the hot wire. The bare wire is the ground wire.
10. Connect the ground wire from the fixture with the ground wire (usually bare) from your ceiling box using a wire nut. If your house does not have ground wire, then attach the ground wire from the fixture to the green grounding screw inside of the outlet box. IT IS IMPERATIVE THAT THE OUTLET BOX IN YOUR HOME BE PROPERLY GROUNDED.
11. Connect the neutral wire from your fixture with the neutral wire (usually white) from your ceiling box using a wire nut.
12. Connect the hot wire from your fixture with the hot wire (usually black) from your outlet box using a wire nut. DO NOT REVERSE THE HOT AND NEUTRAL CONNECTIONS; OTHERWISE, SAFETY WILL BE COMPROMISED.
13. Slide Canopy (D) to the affixed Mounting Plate (A) and secure with Canopy Ring (E).
14. Place Diffuser (I) and Shade (J) onto Shade Bracket (K). Let the center rod on Shade Bracket (K) pass through the hole of Diffuser (I).
15. Attach Shade Bracket (K) with Shade (J) and Diffuser (I) to the bottom nipple of Socket Assembly (H). Secure by turning Shade Bracket (K) counter-clockwise direction until tight.
16. Insert Bulbs (L) into Socket Assembly (H).
17. Restore power to outlet box and check operation of fixture.
18. Assembly is complete.

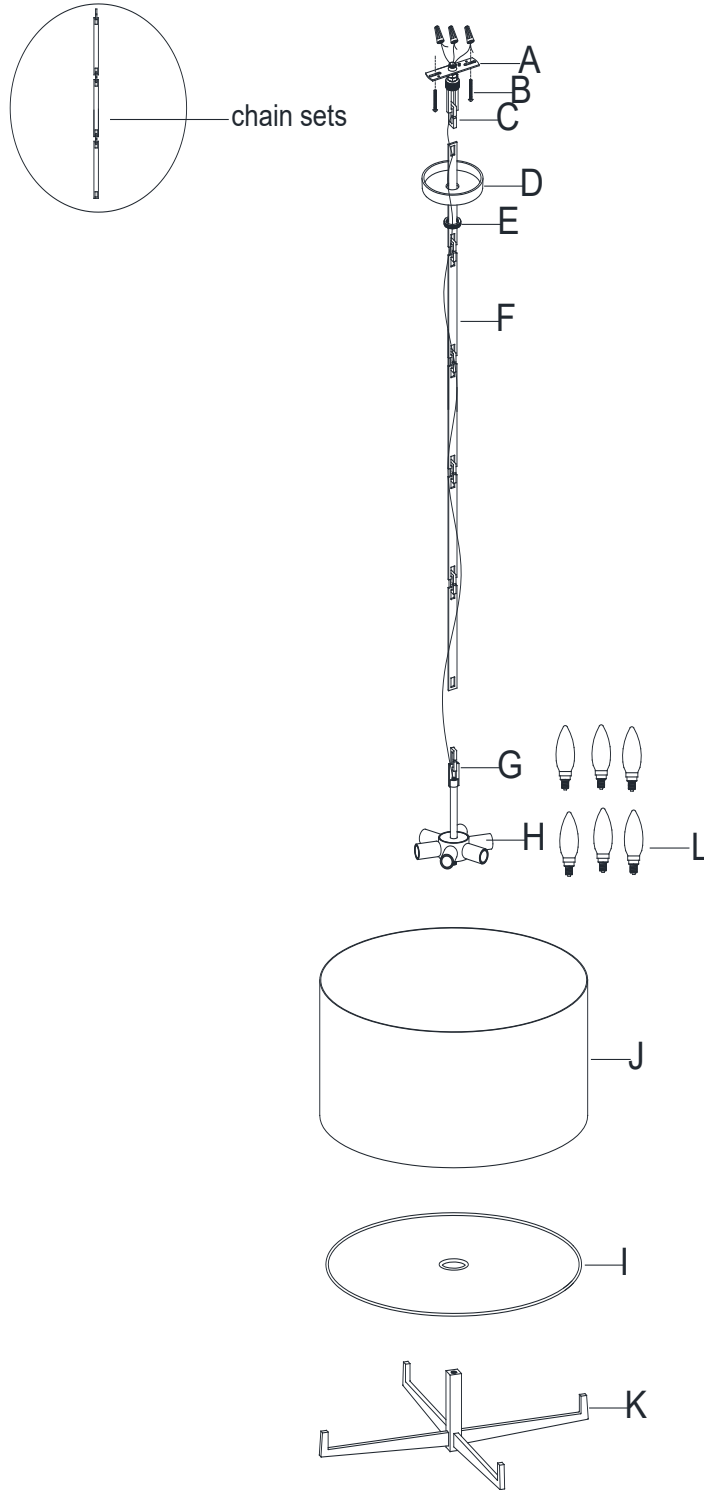
### CARE INSTRUCTIONS

Do not use polishes or cleaners on the lamp. Wipe clean with a soft, dry cloth.

RYDER PENDANT 23"

PARTS ENCLOSED

- (A) Mounting Strap (1)
- (B) Mounting Screws (2)
- (C) Mounting Loop (1)
- (D) Canopy (1)
- (E) Canopy Ring (1)
- (F) Chain Sets (8)
- (G) Hanging Loop (1)
- (H) Socket Assembly (1)
- (I) Diffuser (1)
- (J) Shade (1)
- (K) Shade Bracket (1)
- (L) Bulbs (6)



## RYDER PENDANT 23"

### IMPORTANT SAFETY INSTRUCTIONS

INSTALLATION BY A LICENSED ELECTRICIAN IS STRONGLY RECOMMENDED.

This fixture has been rated for up to six (6) 60-Watt maximum Type C lightbulbs (not included), six (6) 13-Watt compact fluorescent lightbulbs (not included), six (6) 4.5-Watt SBLLED lightbulbs or 4-Watt SBLLED lightbulbs (included). To avoid the risk of fire, do not exceed the recommended wattage.

### WARNINGS

All wires are connected. When unpacking, be careful not to pull wires, as a bad connection may result. Do not connect electricity until your fixture is fully assembled. To reduce the risk of fire, electrical shock, or personal injury, always turn off fixture and allow it to cool prior to replacing the light bulb. Do not touch or look directly at the bulb when fixture is illuminated. Keep flammable materials away from lit bulb.



**WARNING:** This product can expose you to lead, which is known to the State of California to cause cancer and birth defects or other reproductive harm. For more information, go to [www.P65Warnings.ca.gov](http://www.P65Warnings.ca.gov).

THIS PRODUCT IS NOT A TOY AND HAS NO PLAY VALUE.



**WARNING: STRANGULATION HAZARD**

Keep cord at least 3 feet away from cribs, bassinets, and toddler beds. Keep out of reach of children under 3 years of age.

### ASSEMBLY & INSTALLATION

SHUT OFF THE MAIN ELECTRICAL SUPPLY FROM THE FUSE BOX OR CIRCUIT BREAKER PANEL.

1. Carefully remove all parts from the box and remove all plastic coverings.
2. According to the hanging length, hook some or all Chains Set (F) to Hanging Loop (G).
3. Remove Canopy (D) from Mounting Strap (A) by unscrewing Canopy Ring (E).
4. Slide Canopy Ring (E) and Canopy (D) on Chains Set (F).

### ASSEMBLY & INSTALLATION CONT.

5. Feed the wires through Chains Set (F), Canopy Ring (E), and Canopy (D).
6. Attach Mounting Strap (A) to ceiling and secure with Mounting Screws (B).
7. Hook Chains Sets (F) to Mounting Loop (C).
8. Gently pull the wire from the ceiling outlet box and allow the wire to hang. Thread the wire through the center hole of Mounting Strap (A).
9. Carefully inspect the chandelier's two fixture wires. One has very fine ridges molded into the plastic covering – this is the neutral wire. The second wire's covering is smooth – this is the hot wire. The bare wire is the ground wire.
10. Connect the ground wire from the fixture with the ground wire (usually bare) from your ceiling box using a wire nut. If your house does not have ground wire, then attach the ground wire from the fixture to the green grounding screw inside of the outlet box. IT IS IMPERATIVE THAT THE OUTLET BOX IN YOUR HOME BE PROPERLY GROUNDED.
11. Connect the neutral wire from your fixture with the neutral wire (usually white) from your ceiling box using a wire nut.
12. Connect the hot wire from your fixture with the hot wire (usually black) from your outlet box using a wire nut. DO NOT REVERSE THE HOT AND NEUTRAL CONNECTIONS. OTHERWISE, SAFETY WILL BE COMPROMISED.
13. Slide Canopy (D) to the affixed Mounting Plate (A) and secure with Canopy Ring (E).
14. Place Diffuser (I) and Shade (J) onto Shade Bracket (K). Let the center rod on Shade Bracket (K) pass through the hole of Diffuser (I).
15. Attach Shade Bracket (K) with Shade (J) and Diffuser (I) to the bottom nipple of Socket Assembly (H). Secure by turning Shade Bracket (K) counter-clockwise direction until tight.
16. Insert Bulbs (L) into Socket Assembly (H).
17. Restore power to the outlet box and check operation of fixture.
18. Assembly is complete.

### CARE INSTRUCTIONS

Do not use polishes or cleaners on the fixture. Wipe clean with a soft, dry cloth.