

RIVAGE LISSE OVAL CHANDELIER 74"

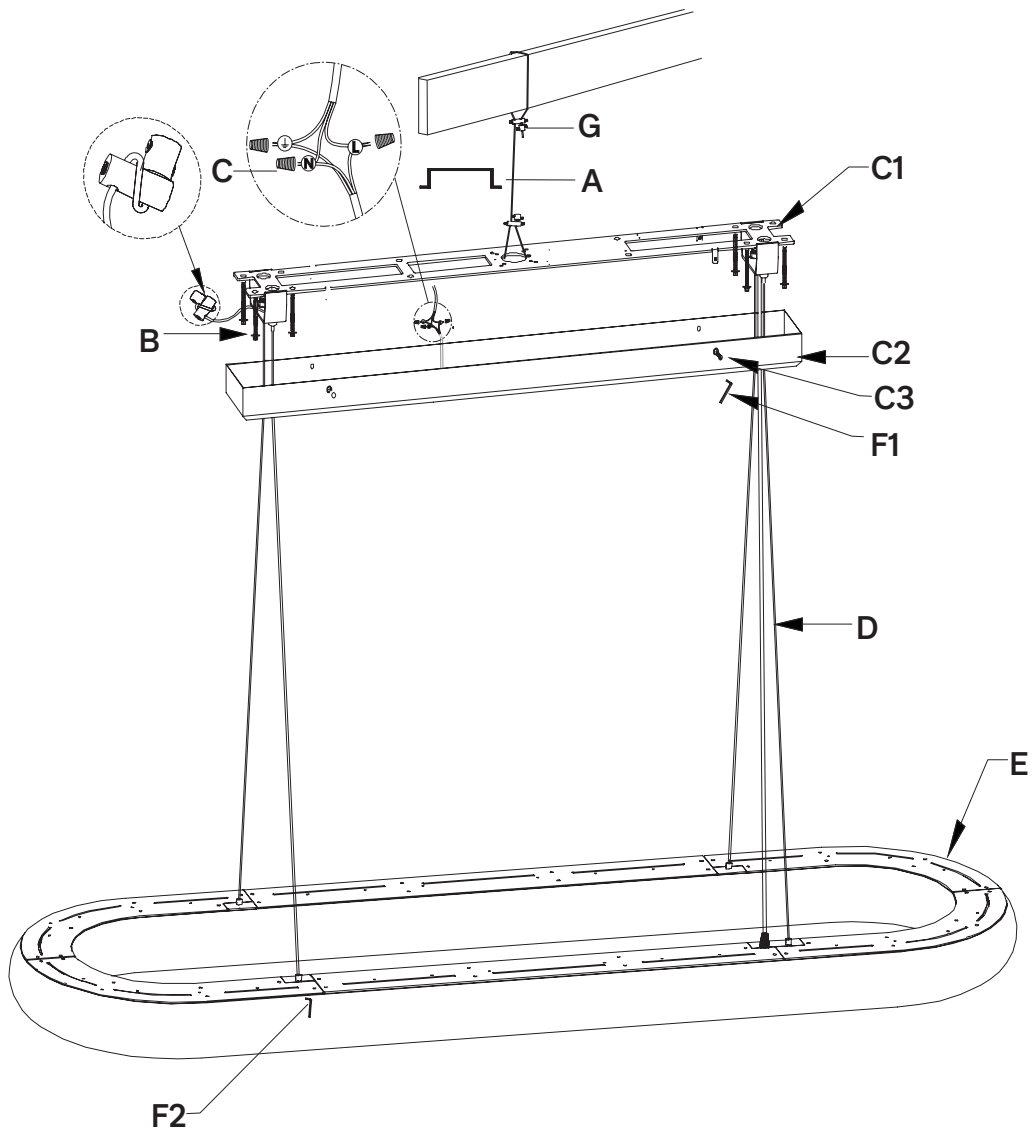
ASSEMBLY AND INSTALLATION INSTRUCTIONS

ENGLISH

RIVAGE LISSE OVAL CHANDELIER 74"

PARTS INCLUDED:

- (A) Junction Box, 50lbs./22.7kg MIN. FIXTURE RATED (not included)
- (B) Mounting Bolts (8 sets; for concrete ceiling only)
- (C) Wire Nuts (3)
- (C1) Ceiling Plate (1)
- (C2) Ceiling Box (1)
- (C3) Bolts (4)
- (D) Steel Cables (4)
- (E) Fixture Body (1)
- (F1) Large Allen Key (1)
- (F2) Small Allen Key (1)
- (G) Safety Cable (1)



IMPORTANT: PLEASE READ

PLEASE FOLLOW THE ASSEMBLY INSTRUCTIONS CLOSELY. IMPROPER ASSEMBLY OR INSTALLATION CAN RESULT IN PERSONAL OR PROPERTY DAMAGE. MOUNTING HARDWARE HAS BEEN PROVIDED FOR MOUNTING TO CONCRETE WALL OR DRY WALL. UNIQUE OR ALTERNATIVE INSTALLATION TYPES MAY REQUIRE DIFFERENT MOUNTING HARDWARE, WHICH HAS NOT BEEN INCLUDED. ALWAYS CONSULT WITH A LICENSED ELECTRICIAN BEFORE INSTALLATION.

INSTALLATION BY A LICENSED ELECTRICIAN IS STRONGLY RECOMMENDED.

IMPORTANT SAFETY FEATURES

BULBS

This fixture has been rated for a 50-watt LED module. To avoid the risk of fire, do not exceed the recommended wattage.

VAULTED CEILING COMPATIBILITY

This fixture is vaulted-ceiling compatible, up to maximum ceiling slope of 15 degrees.

DIMMER SWITCH COMPATIBILITY

This fixture is dimmer-switch compatible and may be used with a forward-phase dimmer switch.

CEILING REINFORCEMENT

Fixtures weighing 50 lbs./22.7kg or more will require additional reinforcement above the ceiling where they are to be installed.

WARNINGS

All wires are connected. When unpacking, be careful not to pull wires, as damage may result. Do not connect electricity until the fixture is fully assembled. To reduce the risk of fire, electrical shock, or personal injury, always turn off fixture and allow it to cool prior to replacing the LED module. Do not touch or look directly at the module when fixture is illuminated. Keep flammable materials away from module.

WARNING: STRANGULATION HAZARD

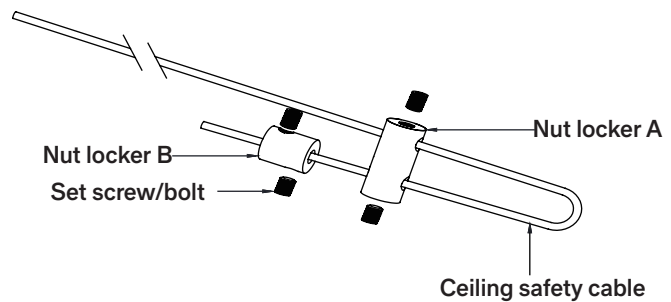
Keep cord at least 3 feet (91cm) away from cribs, bassinets, and toddler beds.

Keep out of reach of children under 3 years of age.

THIS PRODUCT IS NOT A TOY AND HAS NO PLAY VALUE.


INSTALL SAFETY CABLE

1. Remove the nut locker A & B by loosening the set screw from the ceiling safety cable before installation.
2. Insert the ceiling safety cable through the nut lockers as illustrated.
3. Fasten the nut locker A with set screw/bolt.
4. Fasten the nut locker B with set screw/bolt.



ASSEMBLY AND INSTALLATION

SHUT OFF THE MAIN ELECTRICAL SUPPLY FROM THE FUSE BOX OR CIRCUIT BREAKER PANEL.

1. Carefully remove all parts from the box and remove all plastic coverings.
2. Turn OFF power to junction box where the fixture will be installed.
3. Loosen bolts (C3) and remove the ceiling plate (C1) from the ceiling box (C2).
4. Have a professional contractor reinforce ceiling. Attach the safety cable (G) to ceiling beam through the junction box (A), then attach the safety cable to the fixed fixture on the ceiling with the nut locker.
5. Attach the ceiling plate (C1) to the ceiling and secure with mounting screws (B).
6. Feed wires along with steel cable (D) to come out from the ceiling box (C2).
7. Carefully inspect the fixture wires. One is the ground wire (marked with ). The second is the neutral wire (marked with N). The third wire is the live/hot wire (marked with L).
8. Connect the fixture ground wire to the power supply ground wire with wire nut (C).

NOTE: IT IS IMPERATIVE THAT THE OUTLET BOX IN YOUR HOME BE PROPERLY GROUNDED.

9. Connect the fixture neutral wire to the power supply neutral wire with wire nut (C).
10. Connect the fixture live/hot wire to the power supply live/hot wire with wire nut (C).

CAUTION: DO NOT REVERSE THE HOT AND NEUTRAL CONNECTIONS, AS SAFETY WILL BE COMPROMISED.

11. Move the ceiling box (C2) up to the ceiling plate (C1), then fasten the bolts (C3).
12. The length of the steel cable (D) is adjustable. To determine the proper length of the fixture, hold the fixture body (E) up against the ceiling box (C2) to adjust the steel cable (D).
13. Depress locking pin on the ceiling plate (C1), hold pin in ceiling plate (C1), and pull down or push up on the steel cable (D). Repeat step for each steel cable.
14. Restore power to the junction box and test fixture.
15. Assembly is complete.

CARE INSTRUCTIONS

Do not use polishes or cleaners on the fixture. Wipe clean with a soft, dry cloth.

LIGHT SOURCE / LED DRIVER REPLACEMENT INSTRUCTIONS

1. Turn OFF power to junction box.
2. Uninstall the lighting fixture from the ceiling.
3. Loosen the bolts from ceiling box, then unlock the wire nuts and remove the old LED driver.
4. Install the new LED driver.
5. Loosen the bolts (H2) and steel cable locks (H3).
6. Replace the new light source fixture, then connect to the wiring of the LED driver.

Note: Connect the wiring of the LED driver (marked with "+") to the wiring of the light source (marked with "+"). Connect the wiring of the LED driver (marked with "-") to the wiring of the light source (marked with "-").

7. Reattach the light source fixture (H1) to fixture body (E) and secure with bolts (H2) and steel cable locks (H3).

