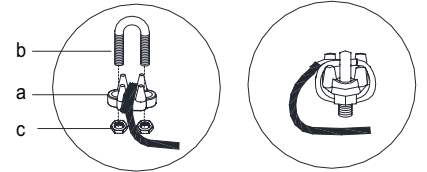


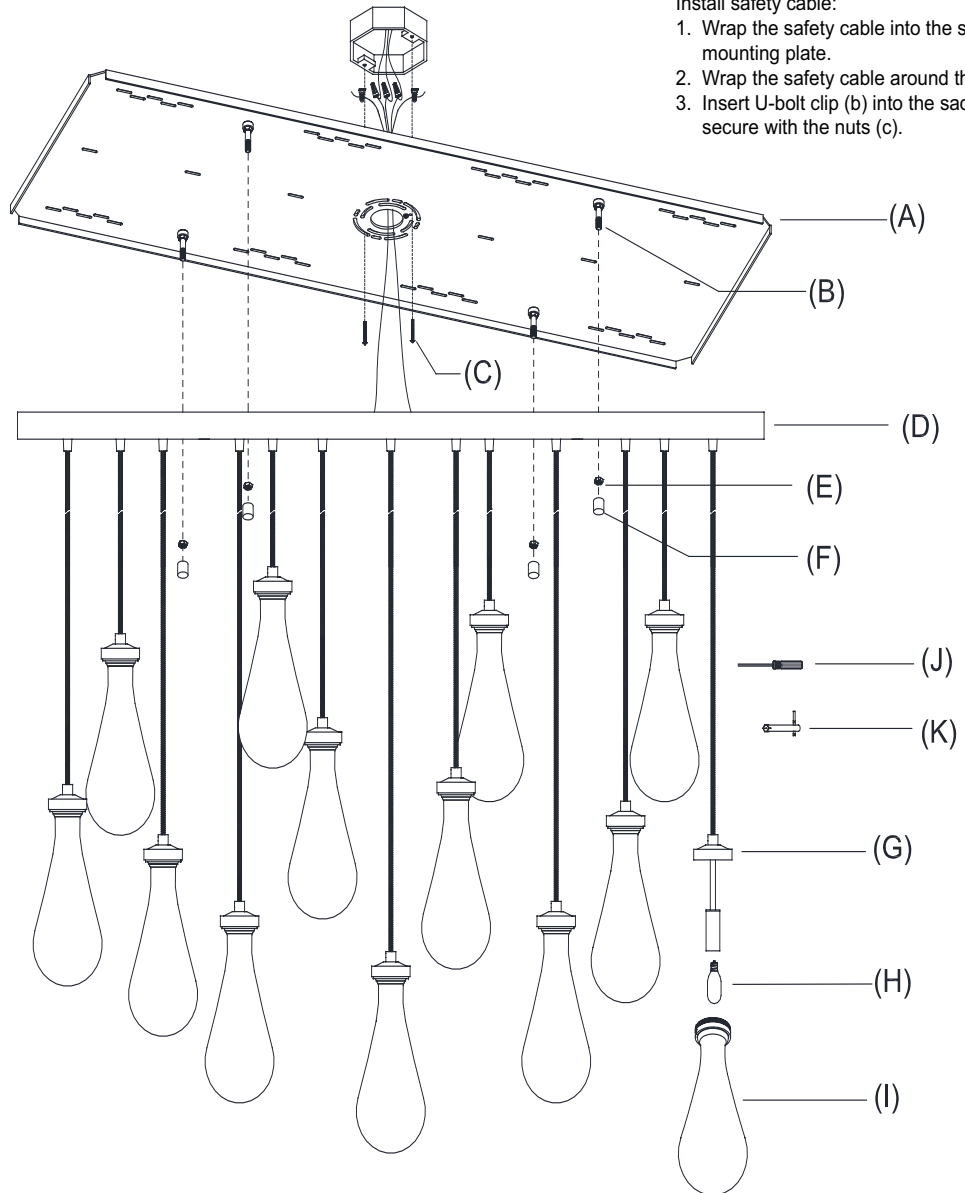
## RAIN LINEAR CHANDELIER 54" (STANDARD)

### PARTS ENCLOSED

- (A) Mounting Plate (1)
- (B) Connection Rods (4)
- (C) Mounting Screws (2)
- (D) Canopy (1)
- (E) Nuts (4)
- (F) Cap Screws (4)
- (G) Caps (13)
- (H) Bulbs (13)
- (I) Glass Shades (13)
- (J) Screwdriver (1)
- (K) T-Wrench (1)



- Install safety cable:
1. Wrap the safety cable into the slot hole on the mounting plate.
  2. Wrap the safety cable around the saddle (a).
  3. Insert U-bolt clip (b) into the saddle (a) and secure with the nuts (c).



## RAIN LINEAR CHANDELIER 54" (STANDARD)

### IMPORTANT SAFETY INSTRUCTIONS

INSTALLATION BY A LICENSED ELECTRICIAN IS STRONGLY RECOMMENDED.

This fixture has been rated for thirteen (13) 25-Watt maximum Type T lightbulbs (included). To avoid the risk of fire, do not exceed the recommended wattage.

### WARNINGS

All wires are connected. When unpacking, be careful not to pull wires, as a bad connection may result. Do not connect electricity until your fixture is fully assembled. To reduce the risk of fire, electrical shock, or personal injury, always turn off fixture and allow it to cool prior to replacing the lightbulb. Do not touch or look directly at the bulb when fixture is illuminated. Keep flammable materials away from lit bulb.



**WARNING:** This product can expose you to lead, which is known to the State of California to cause cancer and birth defects or other reproductive harm. For more information, go to [www.P65Warnings.ca.gov](http://www.P65Warnings.ca.gov).

**THIS PRODUCT IS NOT A TOY AND HAS NO PLAY VALUE.**



**WARNING: STRANGULATION HAZARD**

Keep cord at least 3 feet away from cribs, bassinets, and toddler beds. Keep out of reach of children under 3 years of age.

### ASSEMBLY & INSTALLATION

SHUT OFF THE MAIN ELECTRICAL SUPPLY FROM THE FUSE BOX OR CIRCUIT BREAKER PANEL.

1. Carefully remove all parts from the box and remove all plastic coverings.
2. Remove Mounting Plate (A) from Canopy (D) by removing Cap Screws (F) and Nuts (E).
3. Attach Mounting Plate (A) to the ceiling and secure with Mounting Screws (C) and other proper fasteners from your local hardware store.

### ASSEMBLY & INSTALLATION CONT.

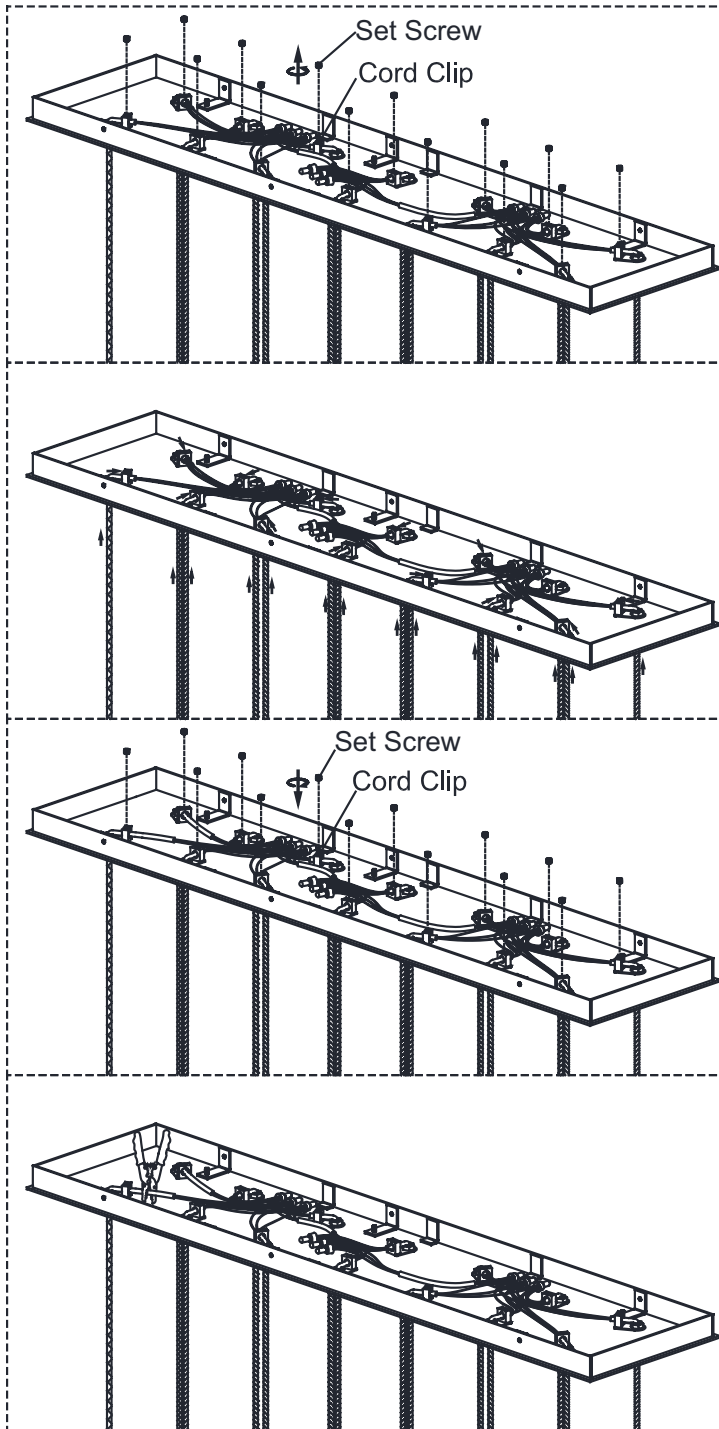
4. Connect the safety steel wire from the fixture and the safety cable from the ceiling. Refer to the illustration on previous page.
5. Attach the fixture ground wire (green or green/yellow) to the ground wire from the outlet box (usually green insulation or bare wire) with a plastic wire connector and wrap the connection with electrical tape. **IT IS IMPERATIVE THAT THE OUTLET BOX IN YOUR HOME BE PROPERLY GROUNDED.**
6. Connect the neutral wires from the fixture (white wire) to the neutral outlet wire (usually white) with a plastic wire connector and wrap the connection with electrical tape.
7. Connect the hot wires (black wire) to the hot outlet box wire (usually black) with a plastic wire connector and wrap the connection with electrical tape. **DO NOT REVERSE THE HOT AND NEUTRAL CONNECTIONS OR SAFETY WILL BE COMPROMISED.**
8. Attach Canopy (D) with the fixture body to the affixed Mounting Plate (A). Let Connection Rods (B) pass through the holes on Canopy (D) and secure with Nuts (E) and Cap Screws (F).
9. Insert Bulbs (H) into each of the sockets.
10. Insert the top threaded portion of Glass Shades (I) into Caps (G) and turn in a clockwise direction until snug. Do not overtighten. When replacing Bulbs (H), always make sure Glass Shades (I) are securely tightened to Caps (G) for safety. Note: Do not inadvertently loosen Glass Shades (I) from Caps (G) when cleaning or Glass Shades (I) could fall unexpectedly, creating a safety hazard.
11. Restore power to outlet box and check operation of fixture.
12. Assembly is complete.

### CARE INSTRUCTIONS

Do not use polishes or cleaners on the fixture. Wipe clean with a soft, dry cloth.

## RAIN LINEAR CHANDELIER 54" (STANDARD)

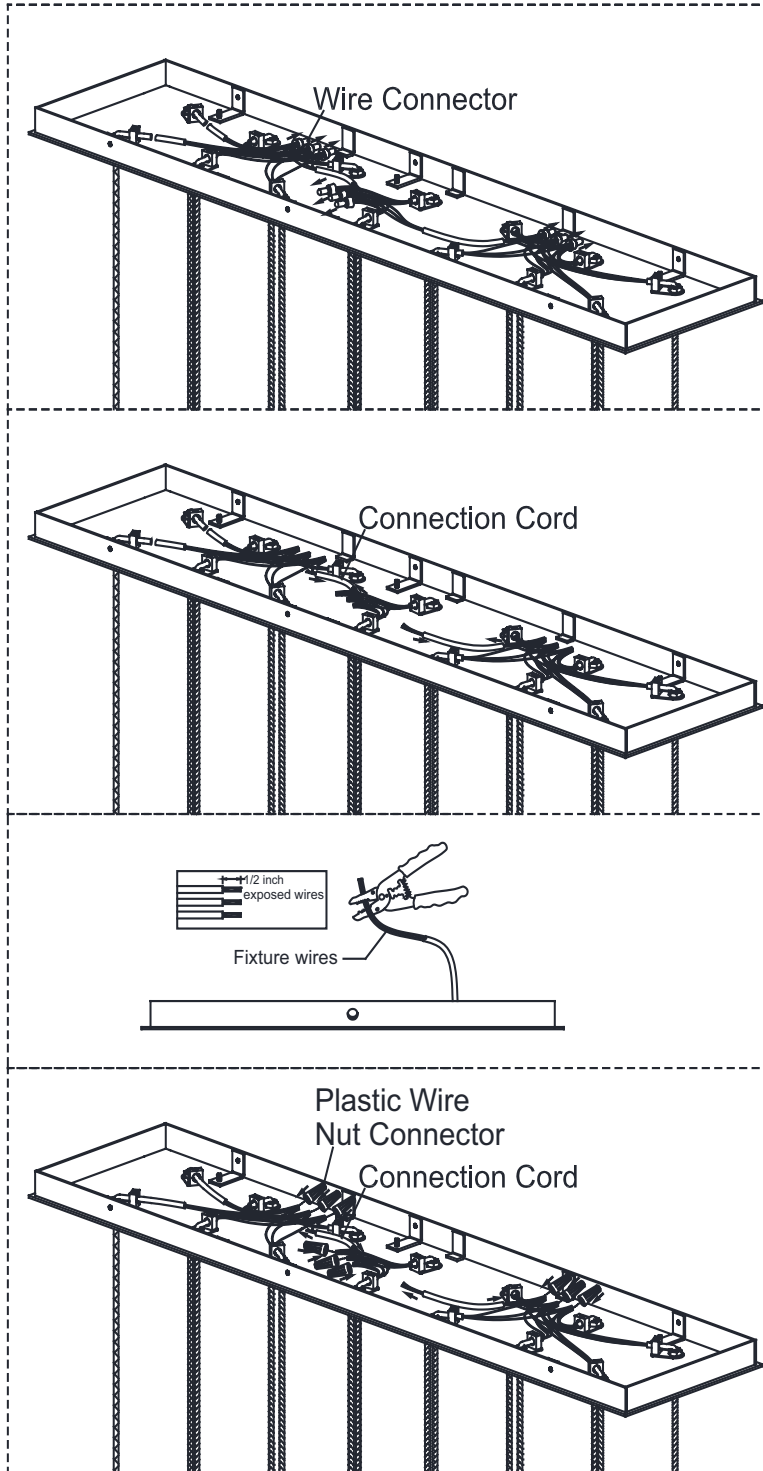
### WIRE ADJUSTMENT INSTRUC-



1. Loosen the screw on top of the cord clip.
2. Determine the hanging length for each of Glass Shades (I). Pull the hanging cords out through the cord clips to your ceiling height (refer to illustrations in following pages).
3. Replace the screw and tighten to lock hanging cord in place.
4. Cut off the excess wires with a wire cutter.

## RAIN LINEAR CHANDELIER 54" (STANDARD)

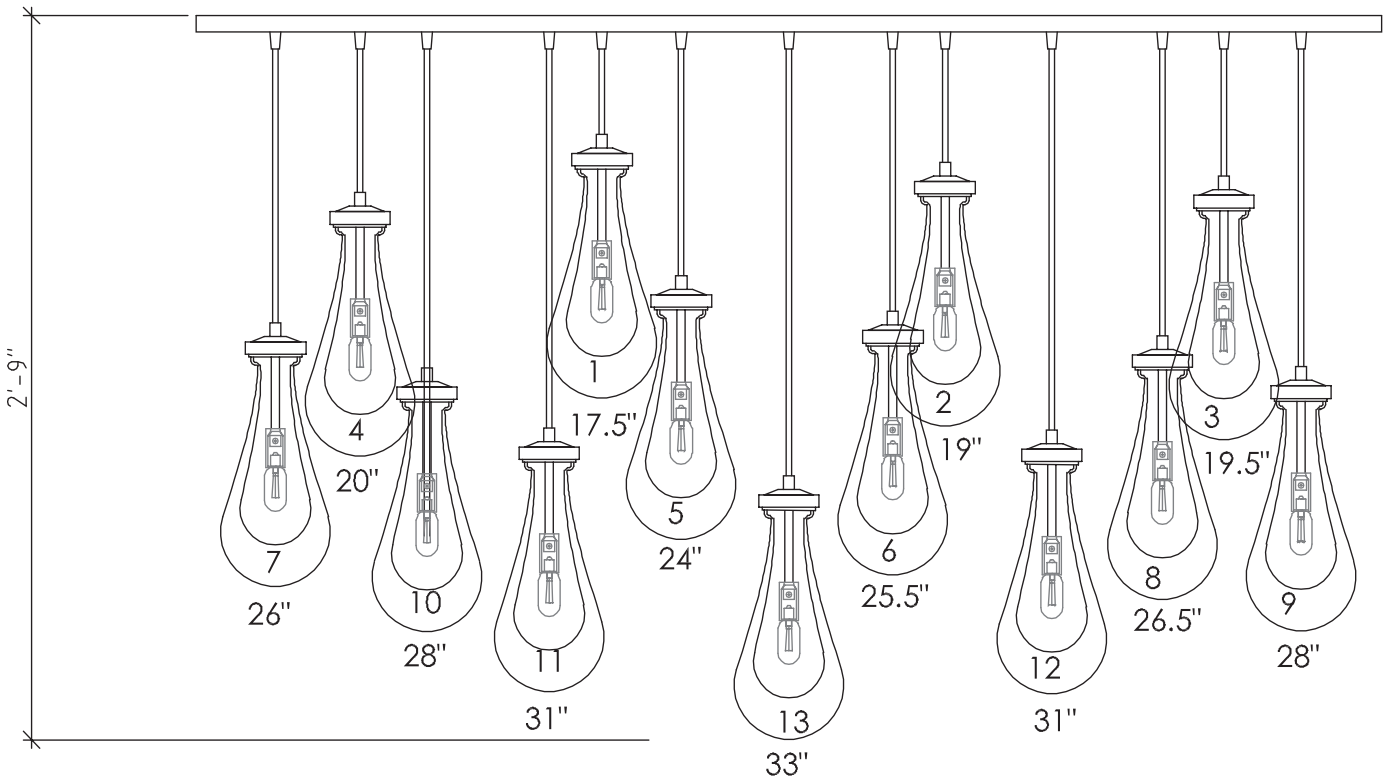
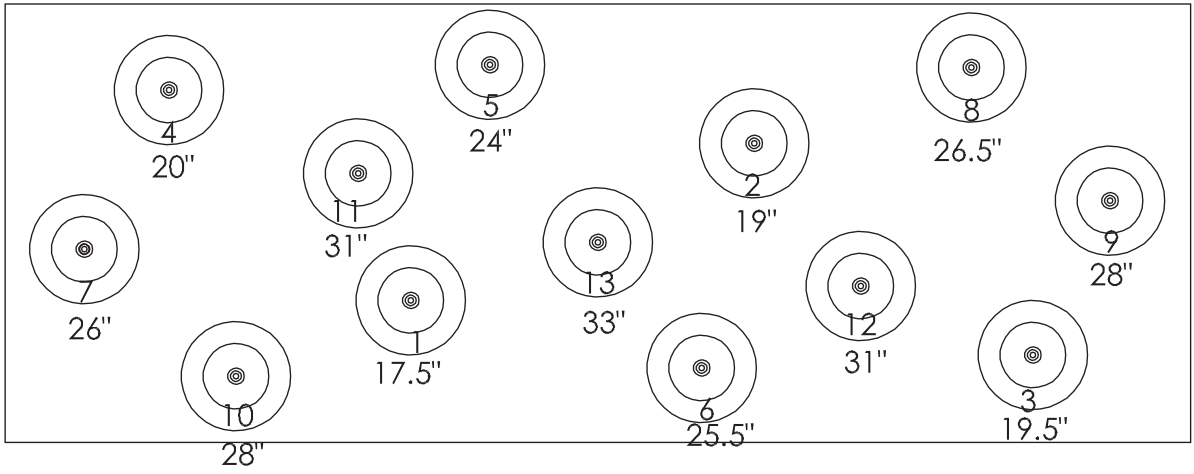
### WIRE CONNECTION INSTRUCTIONS



1. Remove the wire connectors using pliers.
2. Take apart the connection cord and set aside.
3. Use a pair of wire stripper to remove about 1/2" of insulation from each wire.
4. Reconnect the wire ends and secure with the plastic nut connectors.

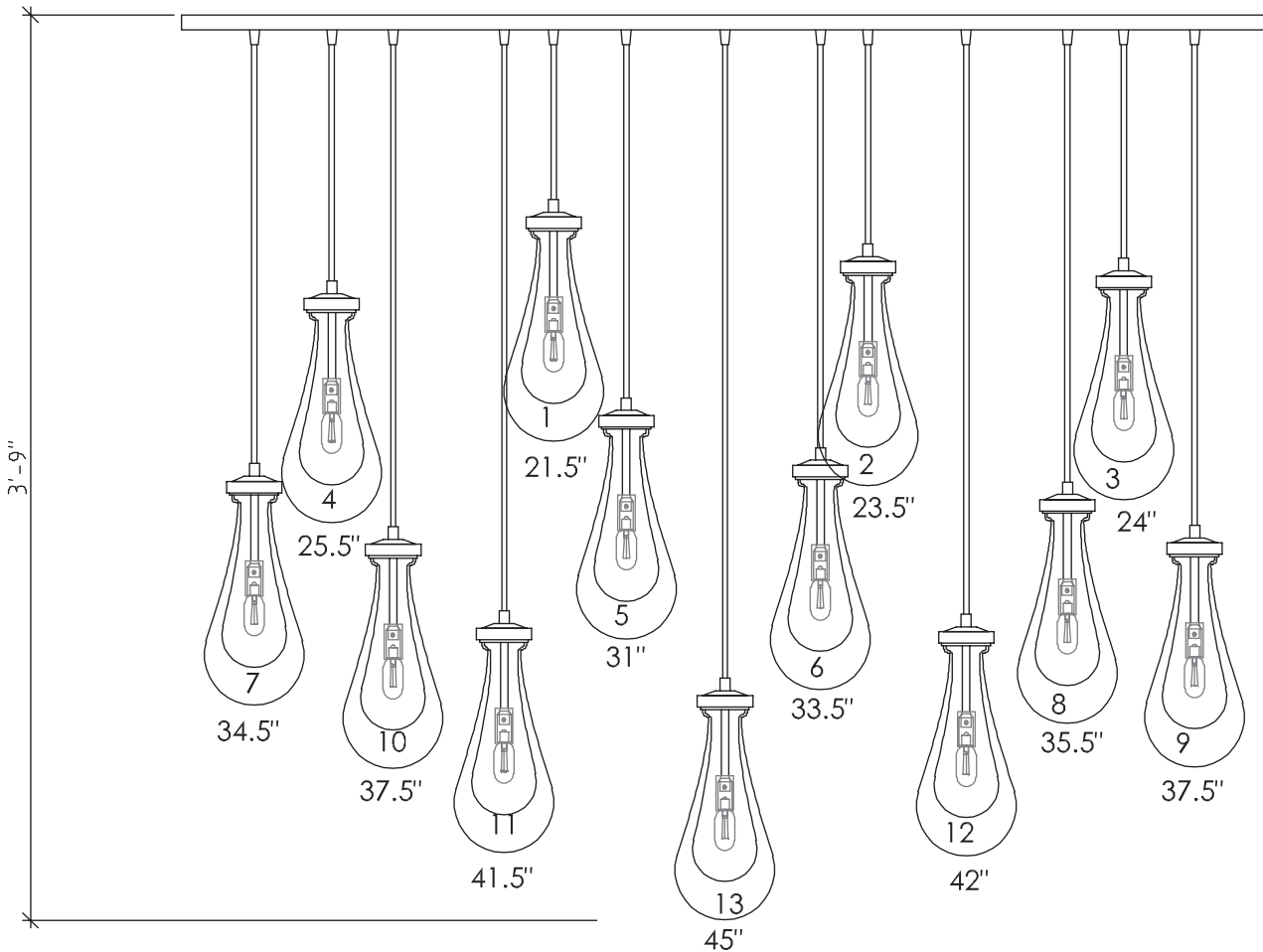
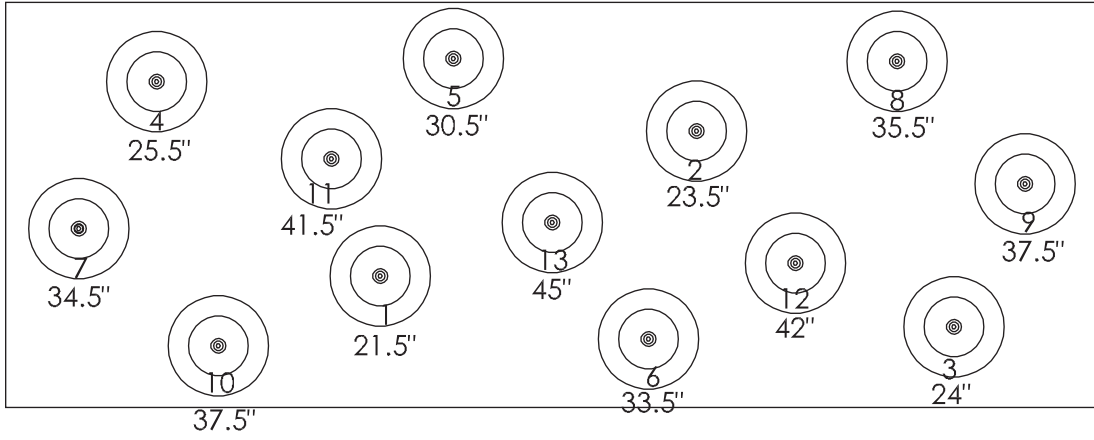
# RAIN LINEAR CHANDELIER 54" (STANDARD)

8' CEILING  
HEIGHT



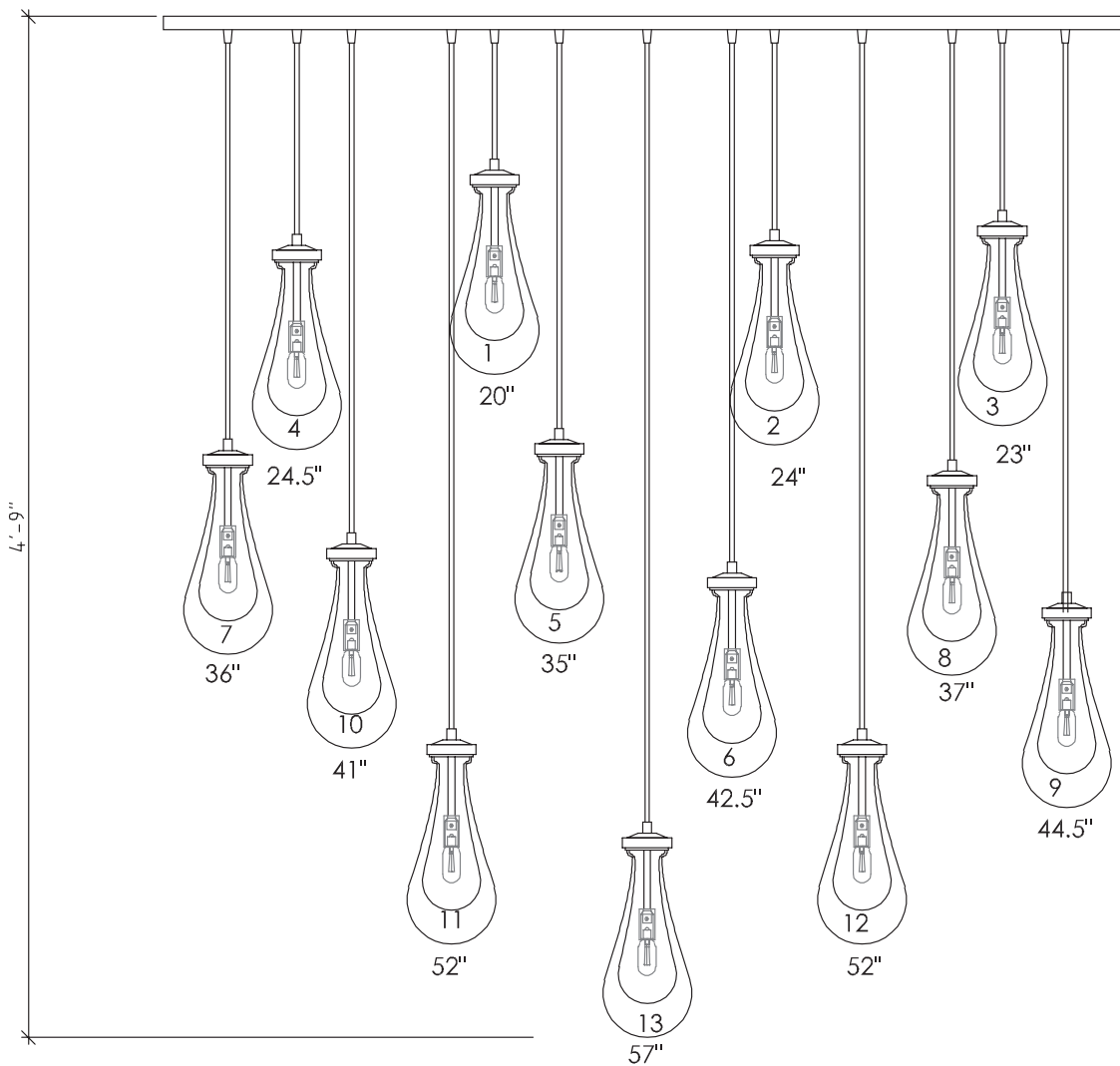
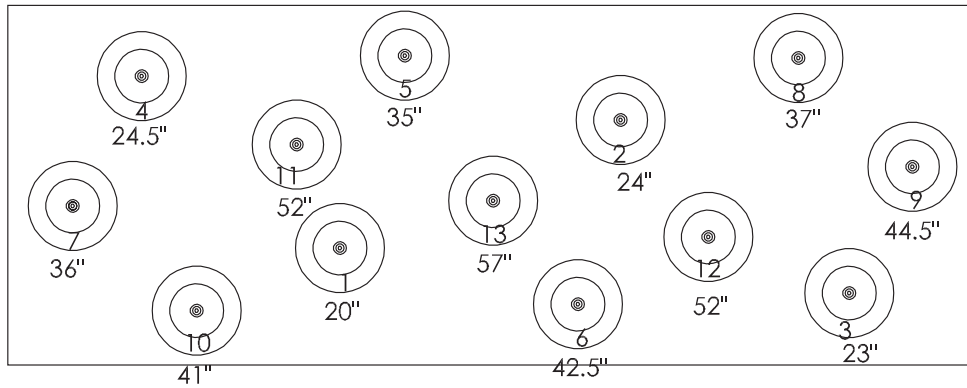
RAIN LINEAR CHANDELIER 54" (STANDARD)

9' CEILING  
HEIGHT



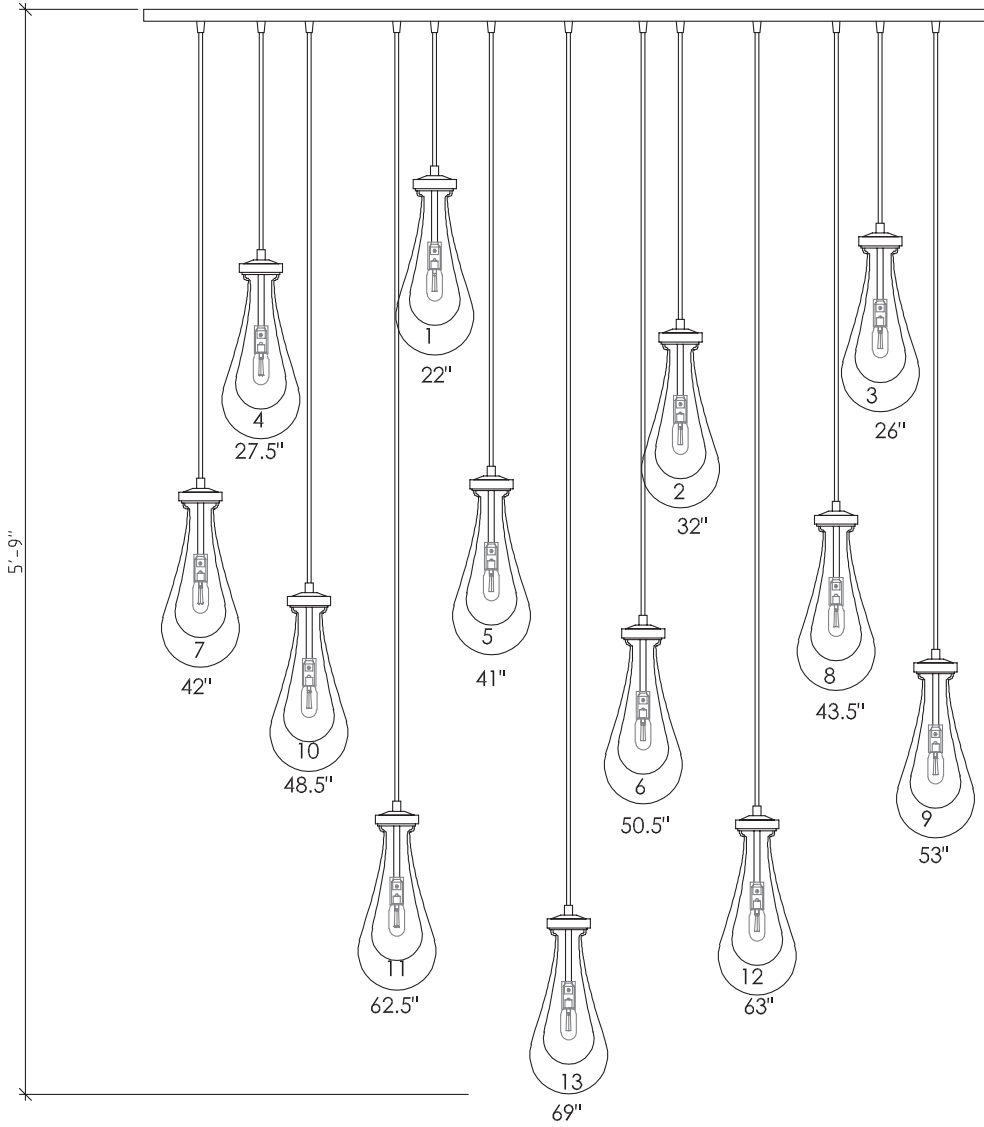
RAIN LINEAR CHANDELIER 54" (STANDARD)

10' CEILING  
HEIGHT



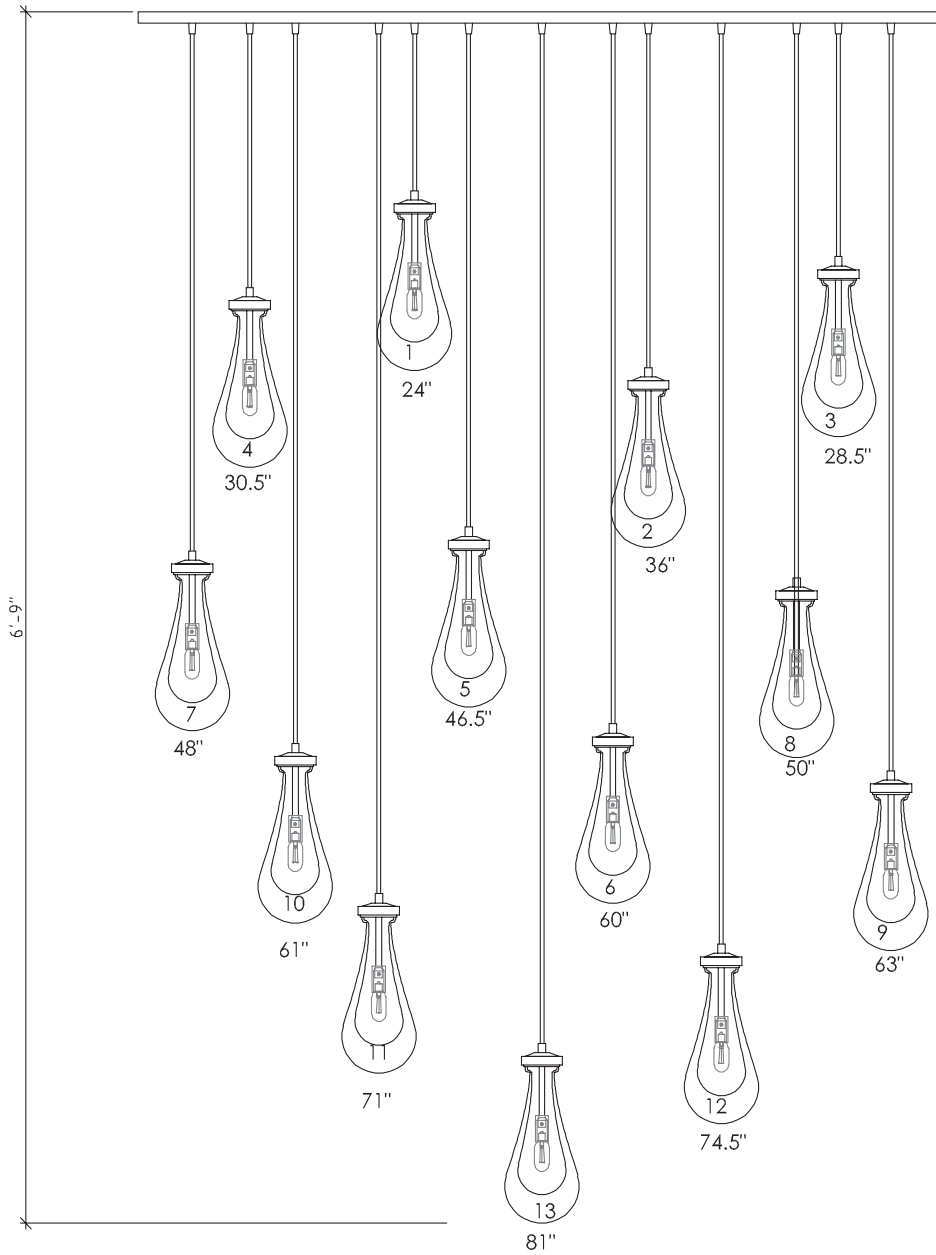
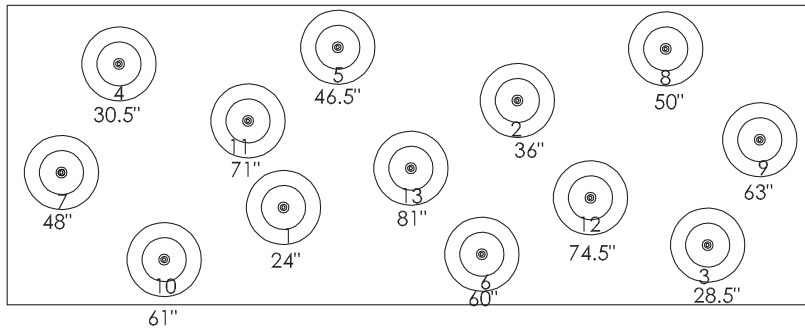
RAIN LINEAR CHANDELIER 54" (STANDARD)

11' CEILING  
HEIGHT



RAIN LINEAR CHANDELIER 54" (STANDARD)

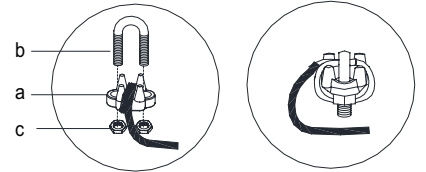
12' CEILING  
HEIGHT



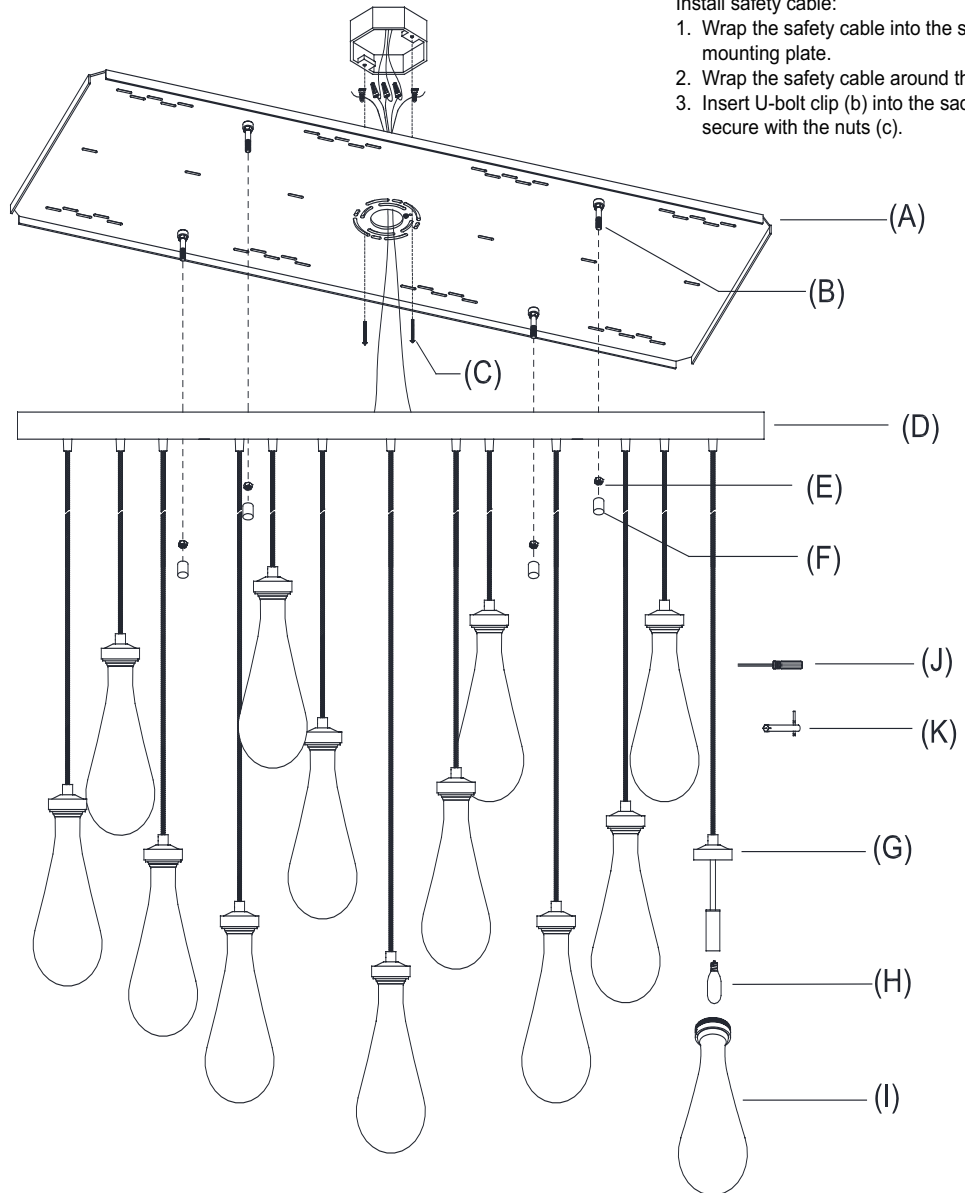
## RAIN LINEAR CHANDELIER 54" (LONG)

### PARTS ENCLOSED

- (A) Mounting Plate (1)
- (B) Connection Rods (4)
- (C) Mounting Screws (2)
- (D) Canopy (1)
- (E) Nuts (4)
- (F) Cap Screws (4)
- (G) Caps (13)
- (H) Bulbs (13)
- (I) Glass Shades (13)
- (J) Screwdriver (1)
- (K) T-Wrench (1)



- Install safety cable:
1. Wrap the safety cable into the slot hole on the mounting plate.
  2. Wrap the safety cable around the saddle (a).
  3. Insert U-bolt clip (b) into the saddle (a) and secure with the nuts (c).



## RAIN LINEAR CHANDELIER 54" (LONG)

### IMPORTANT SAFETY INSTRUCTIONS

INSTALLATION BY A LICENSED ELECTRICIAN IS STRONGLY RECOMMENDED.

This fixture has been rated for thirteen (13) 25-Watt maximum Type T lightbulbs (included). To avoid the risk of fire, do not exceed the recommended wattage.

### WARNINGS

All wires are connected. When unpacking, be careful not to pull wires, as a bad connection may result. Do not connect electricity until your fixture is fully assembled. To reduce the risk of fire, electrical shock, or personal injury, always turn off fixture and allow it to cool prior to replacing the lightbulb. Do not touch or look directly at the bulb when fixture is illuminated. Keep flammable materials away from lit bulb.



**WARNING:** This product can expose you to lead, which is known to the State of California to cause cancer and birth defects or other reproductive harm. For more information, go to [www.P65Warnings.ca.gov](http://www.P65Warnings.ca.gov).

**THIS PRODUCT IS NOT A TOY AND HAS NO PLAY VALUE.**



**WARNING: STRANGULATION HAZARD**

Keep cord at least 3 feet away from cribs, bassinets, and toddler beds. Keep out of reach of children under 3 years of age.

### ASSEMBLY & INSTALLATION

SHUT OFF THE MAIN ELECTRICAL SUPPLY FROM THE FUSE BOX OR CIRCUIT BREAKER PANEL.

1. Carefully remove all parts from the box and remove all plastic coverings.
2. Remove Mounting Plate (A) from Canopy (D) by removing Cap Screws (F) and Nuts (E).
3. Attach Mounting Plate (A) to the ceiling and secure with Mounting Screws (C) and other proper fasteners from your local hardware store.

### ASSEMBLY & INSTALLATION CONT.

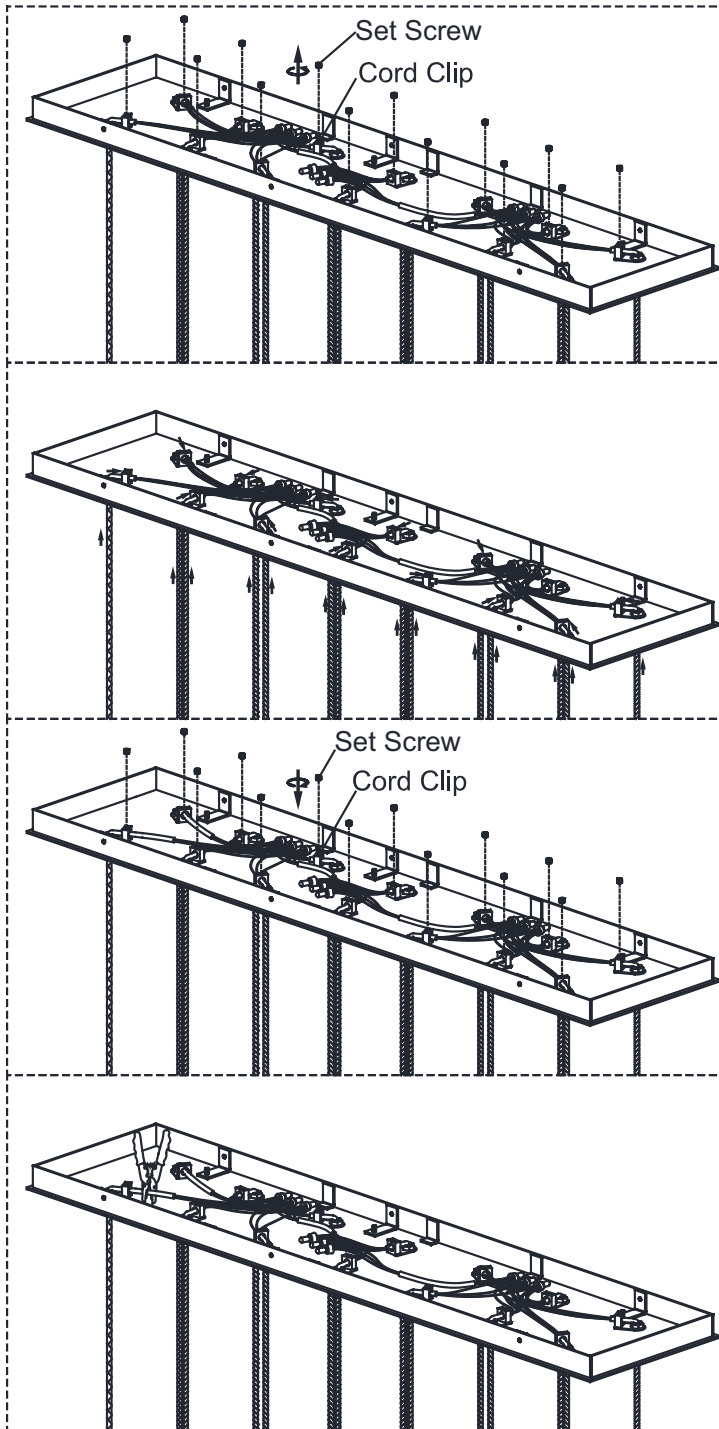
4. Connect the safety steel wire from the fixture and the safety cable from the ceiling. Refer to the illustration on previous page.
5. Attach the fixture ground wire (green or green/yellow) to the ground wire from the outlet box (usually green insulation or bare wire) with a plastic wire connector and wrap the connection with electrical tape. **IT IS IMPERATIVE THAT THE OUTLET BOX IN YOUR HOME BE PROPERLY GROUNDED.**
6. Connect the neutral wires from the fixture (white wire) to the neutral outlet wire (usually white) with a plastic wire connector and wrap the connection with electrical tape.
7. Connect the hot wires (black wire) to the hot outlet box wire (usually black) with a plastic wire connector and wrap the connection with electrical tape. **DO NOT REVERSE THE HOT AND NEUTRAL CONNECTIONS OR SAFETY WILL BE COMPROMISED.**
8. Attach Canopy (D) with the fixture body to the affixed Mounting Plate (A). Let Connection Rods (B) pass through the holes on Canopy (D) and secure with Nuts (E) and Cap Screws (F).
9. Insert Bulbs (H) into each of the sockets.
10. Insert the top threaded portion of Glass Shades (I) into Caps (G) and turn in a clockwise direction until snug. Do not overtighten. When replacing Bulbs (H), always make sure Glass Shades (I) are securely tightened to Caps (G) for safety. Note: Do not inadvertently loosen Glass Shades (I) from Caps (G) when cleaning or Glass Shades (I) could fall unexpectedly, creating a safety hazard.
11. Restore power to outlet box and check operation of fixture.
12. Assembly is complete.

### CARE INSTRUCTIONS

Do not use polishes or cleaners on the fixture. Wipe clean with a soft, dry cloth.

## RAIN LINEAR CHANDELIER 54" (LONG)

### WIRE ADJUSTMENT INSTRUCTIONS



1. Loosen the screw on top of the cord clip.

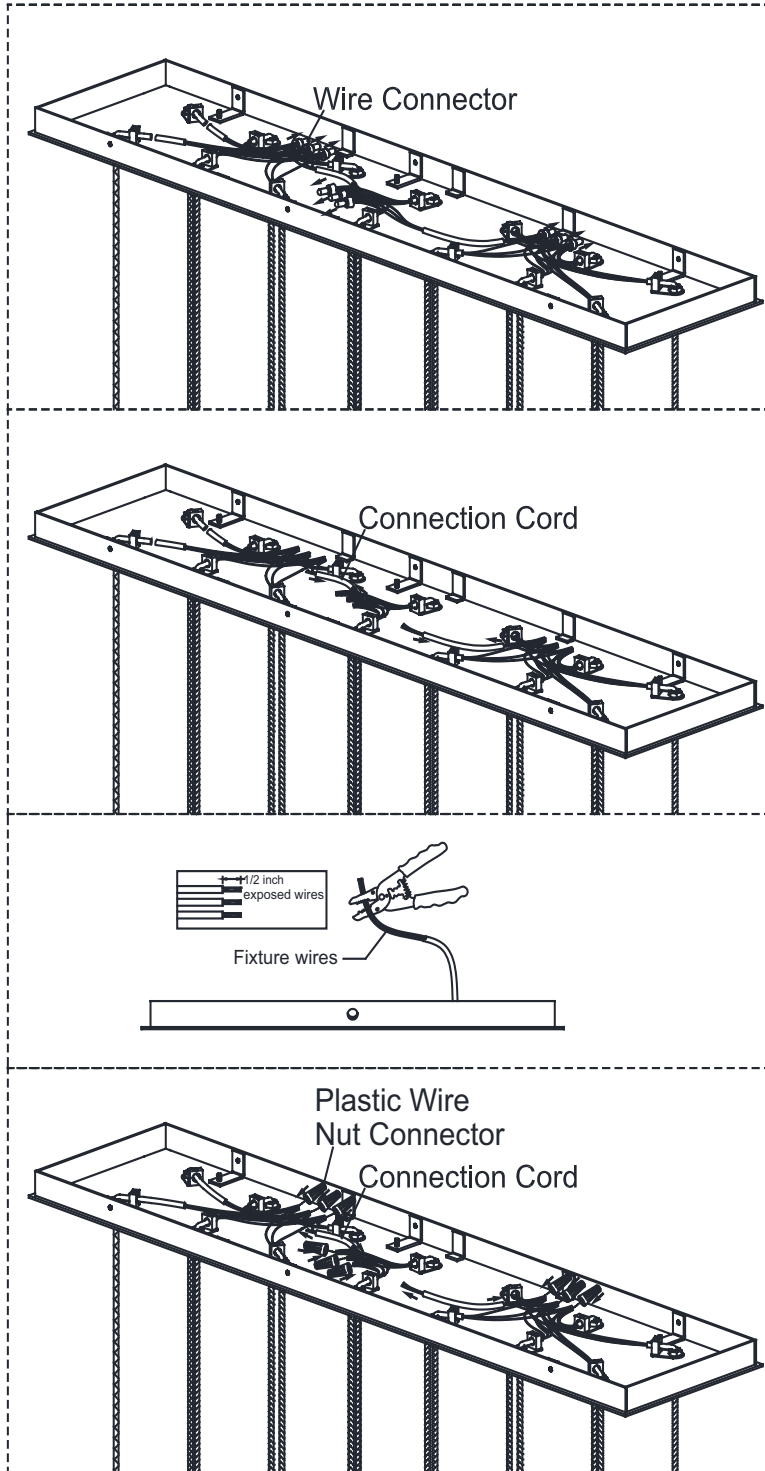
2. Determine the hanging length for each of Glass Shades (I). Pull the hanging cords out through the cord clips to your ceiling height (refer to illustrations in following pages).

3. Replace the screw and tighten to lock hanging cord in place.

4. Cut off the excess wires with a wire cutter.

## RAIN LINEAR CHANDELIER 54" (LONG)

### WIRE CONNECTION INSTRUCTIONS



1. Remove the wire connectors using pliers.

2. Take apart the connection cord and set aside.

3. Use a pair of wire stripper to remove about 1/2" of insulation from each wire.

4. Reconnect the wire ends and secure with the plastic nut connectors.

# RAIN LINEAR CHANDELIER 54" (LONG)

20' CEILING  
HEIGHT

