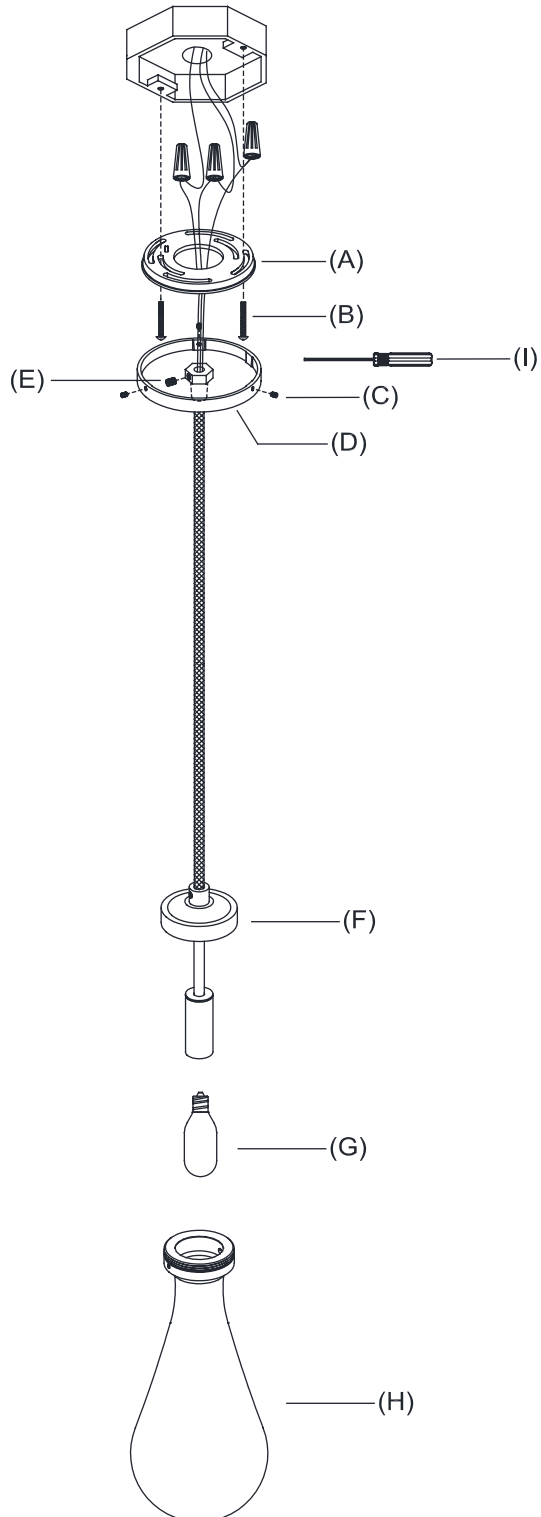


RAIN SINGLE PENDANT

PARTS ENCLOSED

- (A) Mounting Plate (1)
- (B) Mounting Screws (2)
- (C) Side Screws (3)
- (D) Canopy (1)
- (E) Set Screw (1)
- (F) Cap (1)
- (G) Bulb (1)
- (H) Glass Shade (1)
- (I) Screwdriver (1)



RAIN SINGLE PENDANT

IMPORTANT SAFETY INSTRUCTIONS

INSTALLATION BY A LICENSED ELECTRICIAN IS STRONGLY RECOMMENDED.

This fixture has been rated for one (1) 25-Watt maximum Type T lightbulb (included). To avoid the risk of fire, do not exceed the recommended wattage.

WARNINGS

All wires are connected. When unpacking, be careful not to pull wires, as a bad connection may result. Do not connect electricity until your fixture is fully assembled. To reduce the risk of fire, electrical shock, or personal injury, always turn off fixture and allow it to cool prior to replacing the lightbulb. Do not touch or look directly at the bulb when fixture is illuminated. Keep flammable materials away from lit bulb.



WARNING: This product can expose you to lead, which is known to the State of California to cause cancer and birth defects or other reproductive harm. For more information, go to www.P65Warnings.ca.gov.

THIS PRODUCT IS NOT A TOY AND HAS NO PLAY VALUE.



WARNING: STRANGULATION HAZARD

Keep cord at least 3 feet away from cribs, bassinets, and toddler beds. Keep out of reach of children under 3 years of age.

ASSEMBLY & INSTALLATION

SHUT OFF THE MAIN ELECTRICAL SUPPLY FROM THE FUSE BOX OR CIRCUIT BREAKER PANEL.

1. Carefully remove all parts from the box and remove all plastic coverings.
2. Remove Mounting Plate (A) from Canopy (D) by unscrewing Side Screws (C) using Screwdriver (I).
3. Attach Mounting Plate (A) to the ceiling outlet box by aligning the holes and secure with Mounting Screws (B).
4. Loosen Side Screw (E), adjust the cord to the desired height if needed, then tighten Set Screw (E).

ASSEMBLY & INSTALLATION CONT.

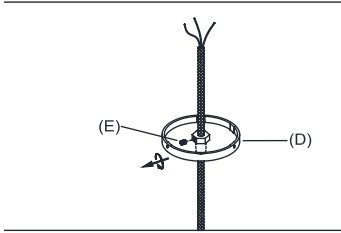
5. Gently pull the wire from ceiling outlet box and allow the wire to hang. Thread the wire through the center hole in Mounting Plate (A).
6. Attach the fixture ground wire (green wire) and house ground wire (usually green or bare wire) to ceiling outlet box with the green grounding screw. Connect fixture wire to corresponding house wire with a wire nut. Carefully tuck the wires back into the outlet box. **IT IS IMPERATIVE THAT THE OUTLET BOX IN YOUR HOME BE PROPERLY GROUNDED.**
7. Connect the neutral wire (white wire) to the neutral outlet wire (usually white) with a plastic wire connector and wrap the connection with electrical tape.
8. Connect the hot wire (black wire) to the hot outlet box wire (usually black) with a plastic wire connector and wrap the connection with electrical tape. **DO NOT REVERSE THE HOT AND NEUTRAL CONNECTIONS OR SAFETY WILL BE COMPROMISED.**
9. Attach Canopy (D) to the affixed Mounting Plate (A) and secure with Side Screws (C), then tighten with Screwdriver (I).
10. Insert Bulb (G) into the socket.
11. Insert the top threaded portion of Glass Shade (H) into Cap (F) and turn in a clockwise direction until snug. Do not overtighten. When replacing Bulb (G), always make sure Glass Shade (H) is securely tightened to Cap (F) for safety. Note: Do not inadvertently loosen Glass Shade (H) from Cap (F) when cleaning or Glass Shade (H) could fall unexpectedly, creating a safety hazard.
12. Restore power to outlet box and check operation of fixture.
13. Assembly is complete.

CARE INSTRUCTIONS

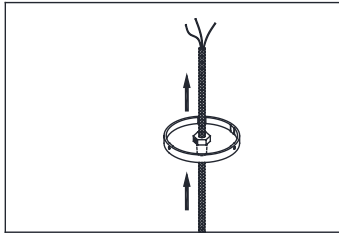
Do not use polishes or cleaners on the fixture. Wipe clean with a soft, dry cloth.

RAIN SINGLE PENDANT

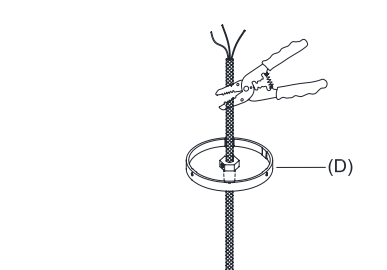
CORD ADJUSTMENT INSTRUC-



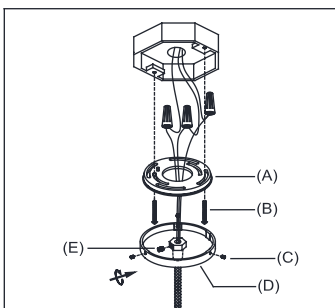
1. Remove Set Screws (B) by turning in a clockwise direction from the mounting loop.



2. Pull the wires out.



3. Cut the wires to the desired height.



4. Tighten Set Screws (B) in a counterclockwise direction to keep wires in place.