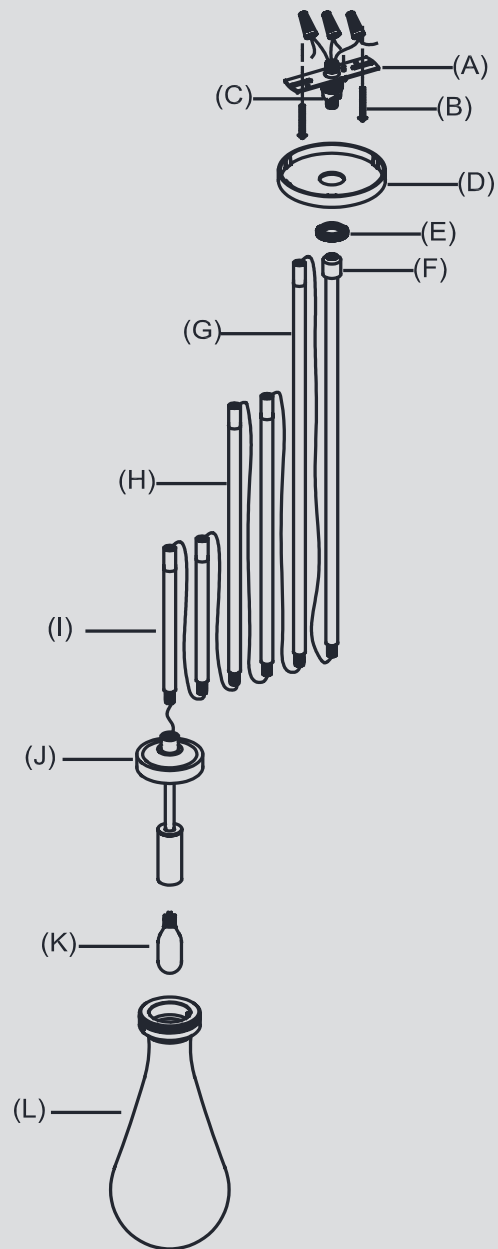


RAIN OUTDOOR PENDANT
ASSEMBLY & INSTALLATION INSTRUCTIONS
ENGLISH

RAIN ROD PENDANT

PARTS INCLUDED

- (A) Mounting Strap (1)
- (B) Mounting Screws (2)
- (C) Collar Loop (1)
- (D) Canopy (1)
- (E) Canopy Ring (1)
- (F) Connector (1)
- (G) 18" Connection Rods (2)
- (H) 12" Connection Rods (2)
- (I) 6" Connection Rods (2)
- (J) Cap (1)
- (K) Bulb (1)
- (L) Glass Shade (1)



IMPORTANT: PLEASE READ

IMPORTANT SAFETY FEATURES

BULBS

This fixture has been rated for one (1) 25-watt maximum Type T lightbulb. To avoid the risk of fire, do not exceed the recommended wattage.

VAULTED-CEILING COMPATIBILITY

This fixture is vaulted-ceiling compatible, up to a maximum ceiling slope of 20 degrees.

DIMMER-SWITCH COMPATIBILITY

This fixture is dimmer-switch compatible, and may only be used with a forward-phase dimmer switch.

WARNINGS

All wires are connected. When unpacking, be careful not to pull wires, as damage may result. Do not connect electricity until the fixture is fully assembled. To reduce the risk of fire, electrical shock, or personal injury, always turn off fixture and allow it to cool prior to replacing the lightbulb. Do not touch or look directly at the bulb when fixture is illuminated. Keep flammable materials away from lit bulb.



WARNING: This product can expose you to lead, which is known to the State of California to cause cancer and birth defects or other reproductive harm. For more information, go to www.P65Warnings.ca.gov.

WARNING: STRANGULATION HAZARD

Keep cord at least 3 feet away from cribs, bassinets, and toddler beds. Keep out of reach of children under 3 years of age.

THIS PRODUCT IS NOT A TOY AND HAS NO PLAY VALUE.

ASSEMBLY AND INSTALLATION

SHUT OFF THE MAIN ELECTRICAL SUPPLY FROM THE FUSE BOX OR CIRCUIT BREAKER PANEL.

1. Carefully remove all parts from the box and remove all plastic coverings.
2. Feed the wires through Connection Rods (G) (H) (I). Screw Connection Rods (G) (H) (I) to the joint of Cap (J) according to the height needed.
3. Slide Canopy Ring (E) and Canopy (D) over Connector (F) carefully. Note: Slide the component down slowly to avoid damage.
4. Feed wires through Collar Loop (C) and screw to Connector (F).
5. Install Mounting Strap (A) to the ceiling outlet box and secure with Mounting Screws (B).
6. Wrap fixture ground wire (bare copper) around the green grounding screw and tighten. Continue fixture ground wire and connect to supply ground wire (usually green or bare copper) using a wire nut. NOTE: It is imperative that the fixture is grounded.
7. Connect fixture neutral wire (ribbed) to the supply neutral wire (usually white) using a wire nut.
8. Connect fixture hot wire (smooth with markings) to the supply hot wire (usually black) using a wire nut. CAUTION: Do not reverse the hot and neutral connections.
9. Make sure all wire connections are tight, then carefully tuck into the junction box.
10. Install Canopy (D) to the affixed Mounting Strap (A) and secure with Canopy Ring (E).
11. Insert Bulb (K) into the socket.
12. Insert the top threaded portion of Glass Shade (L) into Cap (J) and turn in a clockwise direction until snug. Do not overtighten. When replacing the Bulb (K), always make sure Glass Shade (L) is securely tightened to Cap (J) for safety. Note: Do not inadvertently loosen Glass Shade (L) from Cap (J) when cleaning, or Glass Shade (L) could fall unexpectedly and break, creating a safety hazard.
13. Restore power to outlet box and test fixture.
14. Assembly is complete.

CARE INSTRUCTIONS

Do not use polishes or cleaners on the fixture. Wipe clean with a soft, dry cloth.