

MÉLANGE PENDANT 15"

ASSEMBLY & INSTALLATION INSTRUCTIONS
UNITED STATES ENGLISH

MÉLANGE PENDANT 15"

PARTS INCLUDED

- (A) Wire Nuts (3)
- (B) Threaded Pipe (1)
- (C) Ceiling Loop (1)
- (D) Canopy (1)
- (E) Collar Ring (1)
- (F) 18" Extension Rods (2)
- (G) 12" Extension Rods (2)
- (H) 6" Extension Rods (2)
- (I) Hub (1)
- (J) Arms (3)
- (K) Screws (6)
- (L) Metal Ring (1)
- (M) Bulbs (3)
- (N) Alabaster Shade (1)
- (O) Hooks (18)
- (P) Screws (18)
- (Q) Cable Lock Nut (1)
- (R) Safety Cable (1)

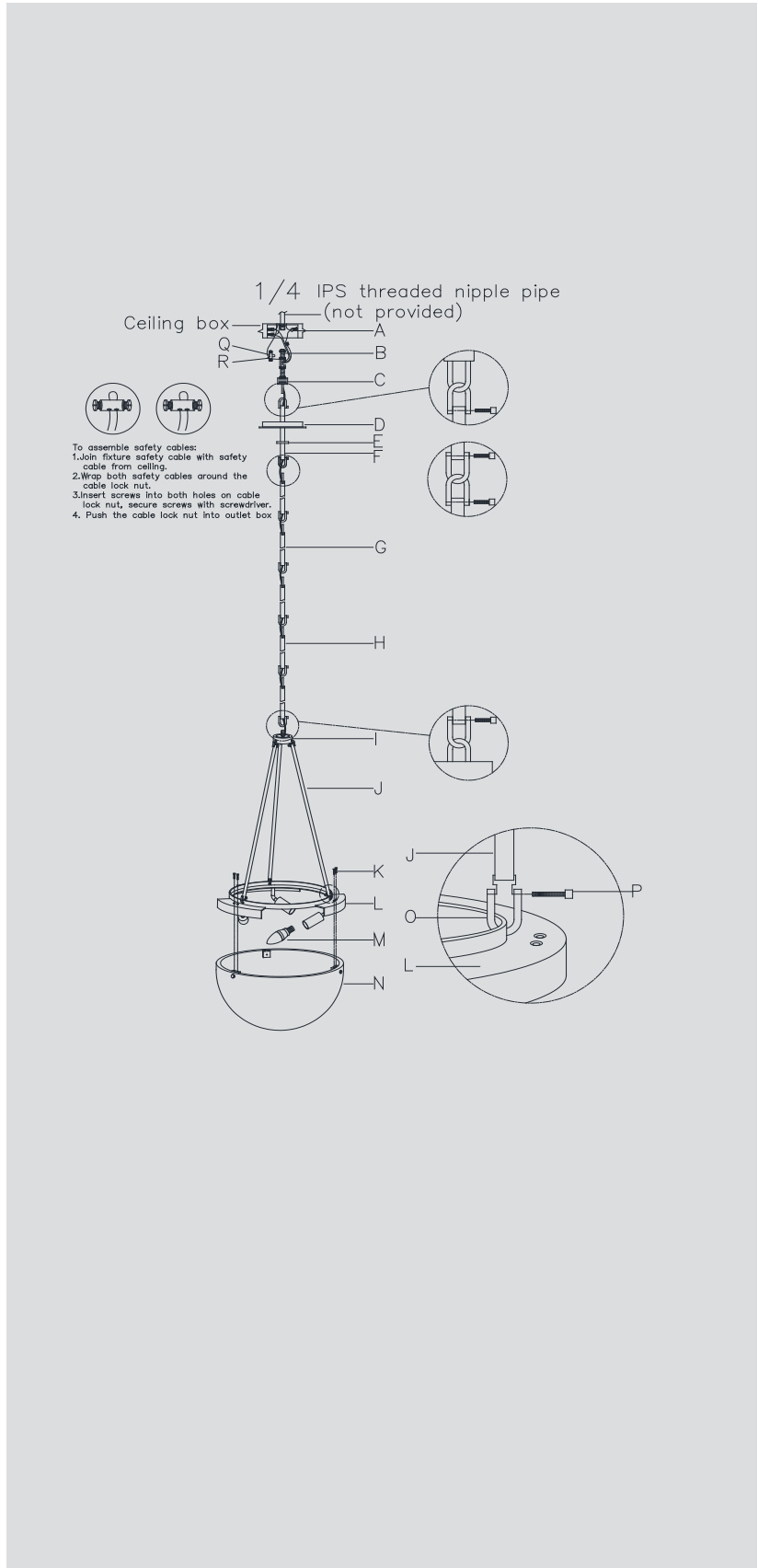
TOOLS NEEDED
(IF APPLICABLE)

Drill

Hammer

Phillips Screwdriver

Slotted Screwdriver



IMPORTANT: PLEASE READ

PLEASE FOLLOW THE ASSEMBLY INSTRUCTIONS CLOSELY. IMPROPER ASSEMBLY OR INSTALLATION CAN RESULT IN PERSONAL OR PROPERTY DAMAGE. MOUNTING HARDWARE HAS BEEN PROVIDED FOR MOUNTING TO A WOODEN STRUCTURAL BEAM. UNIQUE OR ALTERNATIVE INSTALLATION TYPES MAY REQUIRE DIFFERENT MOUNTING HARDWARE, WHICH HAS NOT BEEN INCLUDED. ALWAYS CONSULT WITH A LICENSED ELECTRICIAN BEFORE INSTALLATION.

INSTALLATION BY A LICENSED ELECTRICIAN IS STRONGLY RECOMMENDED.

IMPORTANT SAFETY FEATURES

BULBS

This fixture has been rated for up to (3) 5.5-watt maximum LED lightbulbs. To avoid the risk of fire, do not exceed the recommended wattage.



WARNING: This product can expose you to lead, which is known to the State of California to cause cancer and birth defects or other reproductive harm. For more information, go to www.P65Warnings.ca.gov.

VAULTED-CEILING COMPATIBILITY

This fixture is vaulted-ceiling compatible, up to a maximum ceiling slope of 90 degrees.

DIMMER-SWITCH COMPATIBILITY

This fixture is dimmer-switch compatible, and may only be used with a TRIAC dimmer switch.

WARNINGS

All wires are connected. When unpacking, be careful not to pull wires, as damage may result. Do not connect electricity until the fixture is fully assembled. To reduce the risk of fire, electrical shock, or personal injury, always turn off fixture and allow it to cool prior to replacing the lightbulbs. Do not touch or look directly at the bulbs when fixture is illuminated. Keep flammable materials away from lit bulbs.



WARNING: This product can expose you to lead, which is known to the State of California to cause cancer and birth defects or other reproductive harm. For more information, go to www.P65Warnings.ca.gov.

WARNING: STRANGULATION HAZARD

Keep cord at least 3 feet away from cribs, bassinets, and toddler beds. Keep out of reach of children under 3 years of age.

THIS PRODUCT IS NOT A TOY AND HAS NO PLAY VALUE.

ASSEMBLY AND INSTALLATION

SHUT OFF THE MAIN ELECTRICAL SUPPLY FROM THE FUSE BOX OR CIRCUIT BREAKER PANEL.

1. Carefully remove all parts from the box and remove all plastic coverings.
2. Provide a 1/4" IPS pipe with one end securely mounted to a beam or a structural member. The other end should protrude through the center of the ceiling outlet box as shown.
3. Install Threaded Pipe (B) into the support pipe and adjust overall length to allow the canopy ring to hold Canopy (D) flush to the ceiling.
4. Loosen Screws (P) from Hooks (O) on Metal Ring (L). Attach one Arm (J) onto each Hook (O) and secure with Screws (P).
5. Loosen Screws (P) from Hooks (O) on Hub (I). Attach the other end of each Arm (J) onto each Hook (O) and secure with Screws (P).
6. Select Extension Rods (F), (G), and/or (H) depending on desired length of the fixture. Remove Hooks (O) and Extension Rods (F) (G) (H) by loosening Screws (P). Let the fixture wire, ground wire, and safety cable pass through Extension Rods (F) (G) (H).
7. Connect the selected Extension Rods (F) (G) (H) and Hub (I) using Hooks (O) and Screws (P).
8. Slide Collar Ring (E) and Canopy (D) go through Extension Rods (F) (G) (H).
9. Connect Ceiling Loop (C) and the top Extension Rod (F) to Hooks (O) and Screws (P).
10. Connect the fixture ground wire (bare) with the ground wire from the outlet box using Wire Nuts (A). If your house does not have ground wire, then attach this wire to the green grounding screw inside of the outlet box. **IT IS IMPERATIVE THAT THIS FIXTURE BE GROUNDED.**
11. Connect the fixture neutral wire (ribbed) with the neutral wire (white) from the outlet box using Wire Nuts (A).
12. Connect the fixture hot wire (smooth, marked with words) with the hot wire (black) from the outlet box using Wire Nuts (A). **DO NOT REVERSE THE HOT AND NEUTRAL CONNECTIONS OR SAFETY WILL BE COMPROMISED.**
13. Tuck these wire connections neatly into the outlet box to secure.
14. Attach Canopy (D) to the ceiling and secure with Collar Ring (E).
15. Insert Bulbs (M) into each of the sockets.
16. Attach Alabaster Shade (N) onto Metal Ring (L) and secure with Screws (K).
17. Installation is complete. Turn on power at fuse or circuit breaker.

HEIGHT ADJUSTMENT INSTRUCTIONS

1. Use two pairs of pliers to gently pry the links apart along a split-line formed in each link so that a space is created large enough for the link to be removed from the remaining chain. See diagram A1 & A2.

NOTE: a.The chain length may be shortened from either end.

- b. Use a clean cloth or a folded piece of paper between the pliers and the link to protect the finish of the link during the chain bending.

2. Once the Chain is at the desired length, install the Chain gently as shown in diagram A3.

ATTENTION: ADJUSTING THE HANG HEIGHT

Any adjustments or alterations to the fixture, cord, or overall hang height that differ from those detailed on RH.com will void the Laboratory Listing and Approvals (UL, ETL, CSA, etc.). If the listing is voided, this means the product may no longer be safe for use as modified. RH does not recommend modifying the product.

CARE INSTRUCTIONS

Do not use polishes or cleaners on the fixture. Wipe clean with a soft, dry cloth.

