

# LATTICE RECTANGULAR CHANDELIER 67"

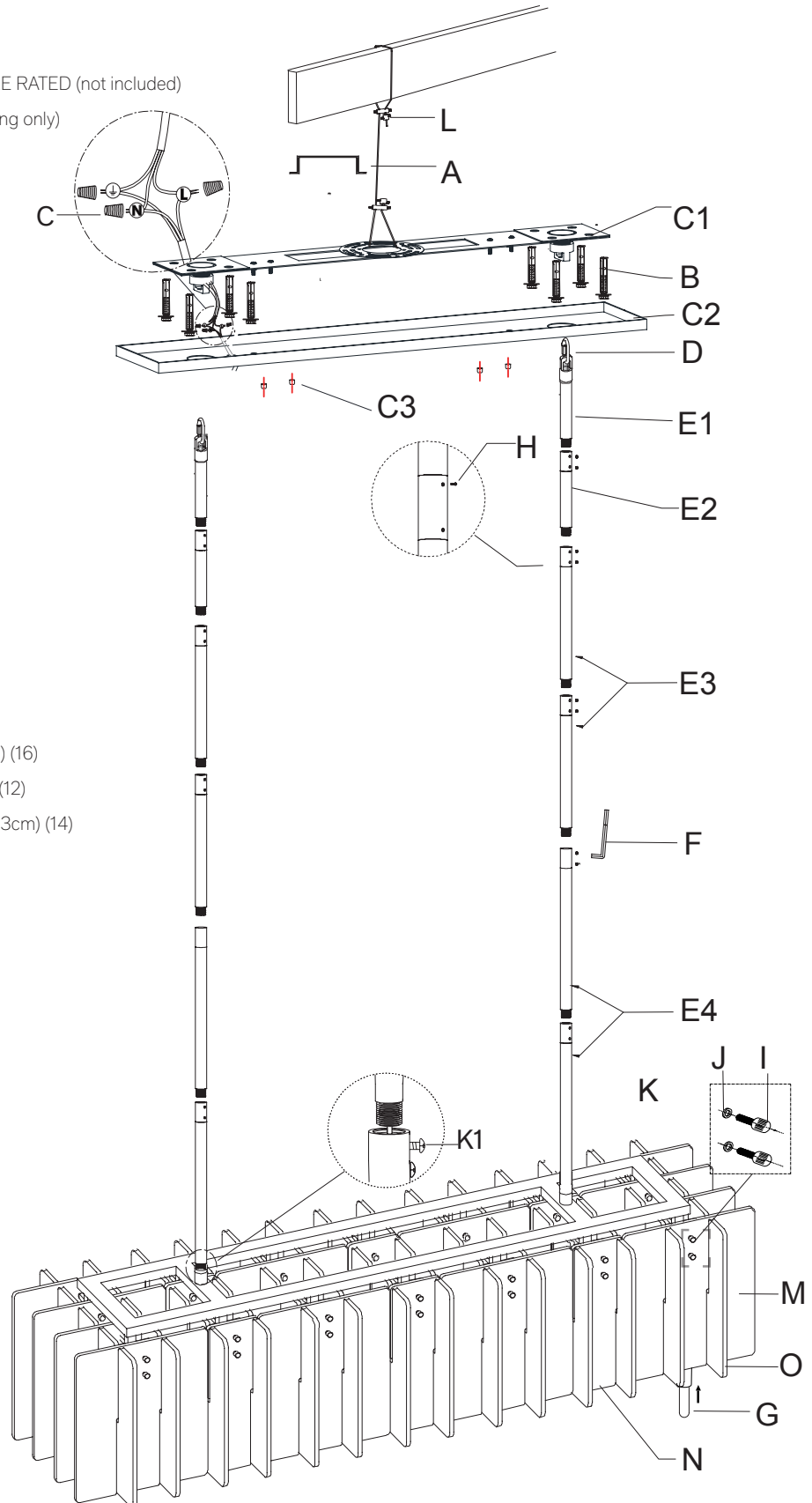
ASSEMBLY & INSTALLATION INSTRUCTIONS

**UNITED STATES ENGLISH**

**LATTICE RECTANGULAR CHANDELIER 67"**

**PARTS INCLUDED:**

- (A) Junction Box, 50lbs/22.7kg MIN. FIXTURE RATED (not included)
- (B) Mounting Bolts (8 sets; for concrete ceiling only)
- (C) Wire Nuts (3)
- (C1) Ceiling Plate (1)
- (C2) Ceiling Box (1)
- (C3) Nut Caps (4)
- (D) Quick Links (8 mm) (2)
- (E1) Extension Rods, 6" (15 cm) (2)
- (E2) Extension Rods, 6" (15 cm) (2)
- (E3) Extension Rods, 12" (30.5 cm) (4)
- (E4) Extension Rods, 18" (46 cm) (4)
- (F) Allen Key (1)
- (G) Bulbs (14)
- (H) Set Bolts (20 +6 extra)
- (I) Bolts (112 +4 extra)
- (J) Rubber Washers (112 +4 extra)
- (K) Fixture Body (1)
- (K1) Set Bolts (2)
- (L) Safety Cable (1)
- (M) Glass Plates A, 13" (33 cm) x 13" (33 cm) (16)
- (N) Glass Plates B, 13" (33 cm) x 5" (13 cm) (12)
- (O) Glass Plates C, 19<sup>11/16</sup>" (50 cm) x 13" (33cm) (14)



**IMPORTANT: PLEASE READ**

PLEASE FOLLOW THE ASSEMBLY INSTRUCTIONS CLOSELY. IMPROPER ASSEMBLY OR INSTALLATION CAN RESULT IN PERSONAL OR PROPERTY DAMAGE. MOUNTING HARDWARE HAS BEEN PROVIDED FOR MOUNTING TO CONCRETE CEILING. UNIQUE OR ALTERNATIVE INSTALLATION TYPES MAY REQUIRE DIFFERENT MOUNTING HARDWARE, WHICH HAS NOT BEEN INCLUDED. ALWAYS CONSULT WITH A LICENSED ELECTRICIAN BEFORE INSTALLATION.

INSTALLATION BY A LICENSED ELECTRICIAN IS STRONGLY RECOMMENDED.

**IMPORTANT SAFETY FEATURES**

**BULBS**

This fixture has been rated for fourteen (14) 60-watt maximum E26 TYPE T9 incandescent bulbs (not included) or fourteen (14) 9-watt maximum E26 TYPE T9 LED bulbs (fourteen (14) 5-watt E26 TYPE T9 LED bulbs included). To avoid the risk of fire, do not exceed the recommended wattage.

**VAULTED CEILING COMPATIBILITY**

This fixture is not vaulted-ceiling compatible

**DIMMER SWITCH COMPATIBILITY**

This fixture is dimmer-switch compatible and may be used with a forward- or reverse-phase dimmer switch.

**CEILING REINFORCEMENT**

Fixtures weighing 50 lbs/22.7kg or more will require additional reinforcement above the ceiling where they are to be installed.

**WARNINGS**

All wires are connected. When unpacking, be careful not to pull wires, as damage may result. Do not connect electricity until the fixture is fully assembled. To reduce the risk of fire, electrical shock, or personal injury, always turn off fixture and allow it to cool prior to replacing the lightbulbs. Do not touch or look directly at the bulbs when fixture is illuminated. Keep flammable materials away from lit bulbs.

**WARNING: STRANGULATION HAZARD**

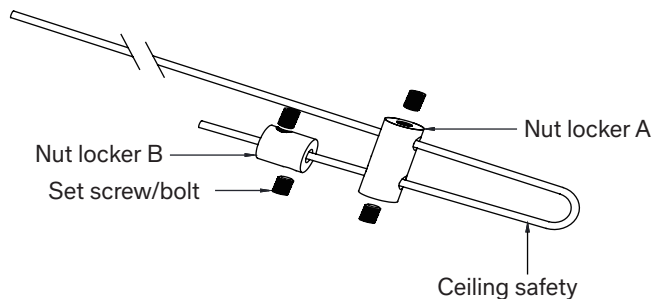
Keep cord at least 3 feet (91cm) away from cribs, bassinets, and toddler beds.

Keep out of reach of children under 3 years of age.

**THIS PRODUCT IS NOT A TOY AND HAS NO PLAY VALUE.**

**INSTALL SAFETY CABLE**

1. Remove the nut locker A & B by loosening the set screw from the ceiling safety cable before installation.
2. Insert the ceiling safety cable through the nut lockers as the drawing shows.
3. Fasten the nut locker A with set screw/bolt.
4. Fasten the nut locker B with set screw/bolt.



## ASSEMBLY AND INSTALLATION

### SHUT OFF THE MAIN ELECTRICAL SUPPLY FROM THE FUSE BOX OR CIRCUIT BREAKER PANEL.

1. Carefully remove all parts from the box and remove all plastic coverings.
2. Turn OFF power to junction box (A) where the fixture will be installed.
3. Loosen the bolts (C3) and remove the ceiling plate (C1) from the ceiling box (C2).
4. Attach the ceiling plate (C1) to the ceiling with mounting bolts (B), then attach the ceiling box (C2) to ceiling plate (C1), then fasten the nut caps (C3).
5. Attach the extension rods (E1, E2, E3, and E4) to the fixture body (K) and secure with set bolt (K1 & H). If the extension rods are not aligned, loosen the set bolts and loosen the extension a little bit until the extension rods are aligned, then tighten the set bolts.
6. Feed the wires through extension rods (E4, E3, E2, and E1) to come out from the top of the extension rods (E1).
7. Move the fixture body (K) up to ceiling plate (C1), unlock quick links (D) to attach the collar of the extension rods (E1) to the ceiling plate (C1).
8. Move the ceiling box (C2) down from the ceiling plate (C1) and feed the wires through the ceiling box (C2).
9. Have a professional contractor reinforce ceiling. Attach the safety cable (L) to ceiling beam through the junction box (A), then attach the safety cable to the fixture on the ceiling with the nut locker.
10. Carefully inspect the fixture wires. One is the ground wire (marked with  $\oplus$ ). The second is the neutral wire (marked with N). The third wire is the live/hot wire (marked with L).
11. Connect the fixture ground wire to the power supply ground wire with wire nut (C).  
  
NOTE: IT IS IMPERATIVE THAT THE OUTLET BOX IN YOUR HOME BE PROPERLY GROUNDED.
12. Connect the fixture neutral wire to the power supply neutral wire with wire nut (C).
13. Connect the fixture live/hot wire to the power supply live/hot wire with wire nut (C).  
  
CAUTION: DO NOT REVERSE THE HOT AND NEUTRAL CONNECTIONS, AS SAFETY WILL BE COMPROMISED.
14. Move the ceiling box (C2) up to the ceiling plate (C1), then fasten the nut caps (C3).
15. Fasten lightbulbs (G) to the lampholders.
16. Attach the glass plates (M, N, and O) to the body secure with bolts (I) and rubber washers (J) as shown in the illustration on the following pages. Place flat surface of glass plates towards holder, and adjust glass plates to be in level before tightening bolts. Do not overtighten.
17. Restore power to the junction box and test fixture.
18. Assembly is complete.

## CARE INSTRUCTIONS

Do not use polishes or cleaners on the fixture. Wipe clean with a soft, dry cloth.

GLASS PLATE ASSEMBLY AND INSTRUCTIONS

FIGURE 1

Figure 1: Installation for the inner parts of the glass sheet (M and N).

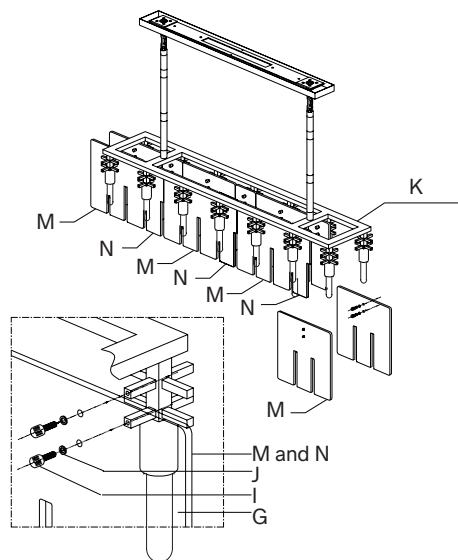
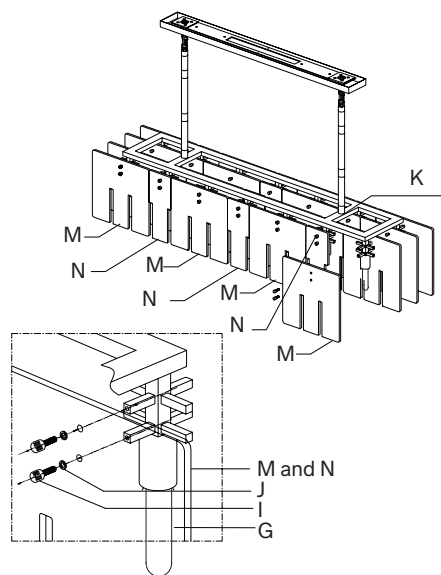


Figure 2: Installation for the outer parts of the glass sheet (M and N).

FIGURE 2



GLASS PLATE ASSEMBLY AND INSTRUCTIONS

FIGURE 3

Figure 3: Installation for the glass plates (O).

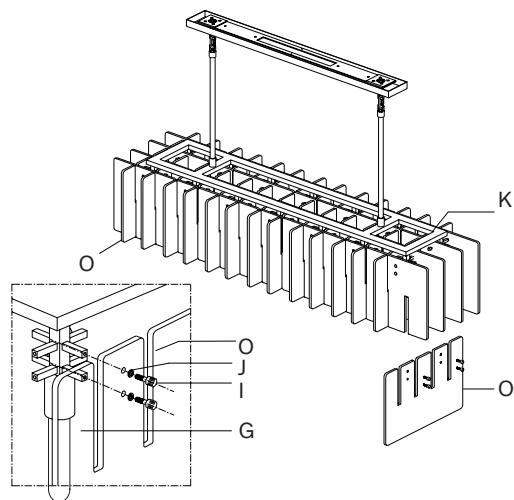
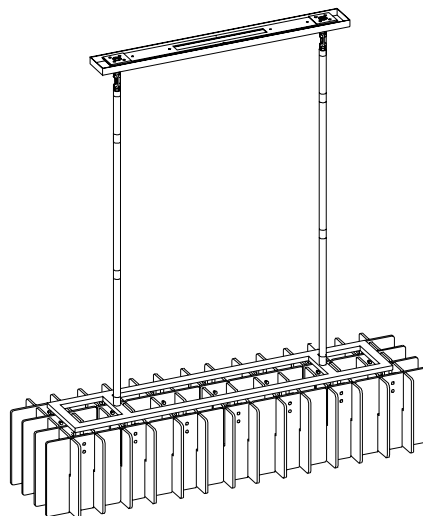
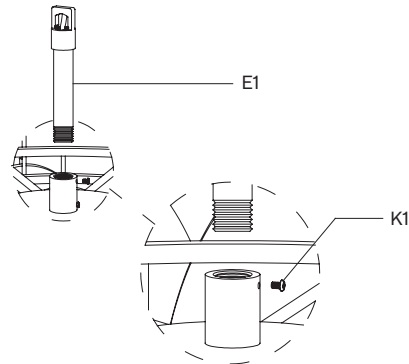


FIGURE 4



### HEIGHT ADJUSTMENT INSTRUCTIONS

1. Feed the wires through extension rod (E1), then fasten extension rod (E1) to the fixture body (K) and secure with the set bolt (K1).



2. Or, feed the wires through the extension rods (E2, E3 or E4) and secure with the set bolts (K1 & H), then fasten the extension rod (E1) to extension rods (E2, E3 or E4).

### ATTENTION: ADJUSTING THE HANG HEIGHT

Any adjustments or alterations to the fixture, cord, or overall hang height that differ from those detailed on RH.com will void the Laboratory Listing and Approvals (UL, ETL, CSA, etc.). If the listing is voided, this means the product may no longer be safe for use as modified. RH does not recommend modifying the product.

