

LATTICE PENDANT

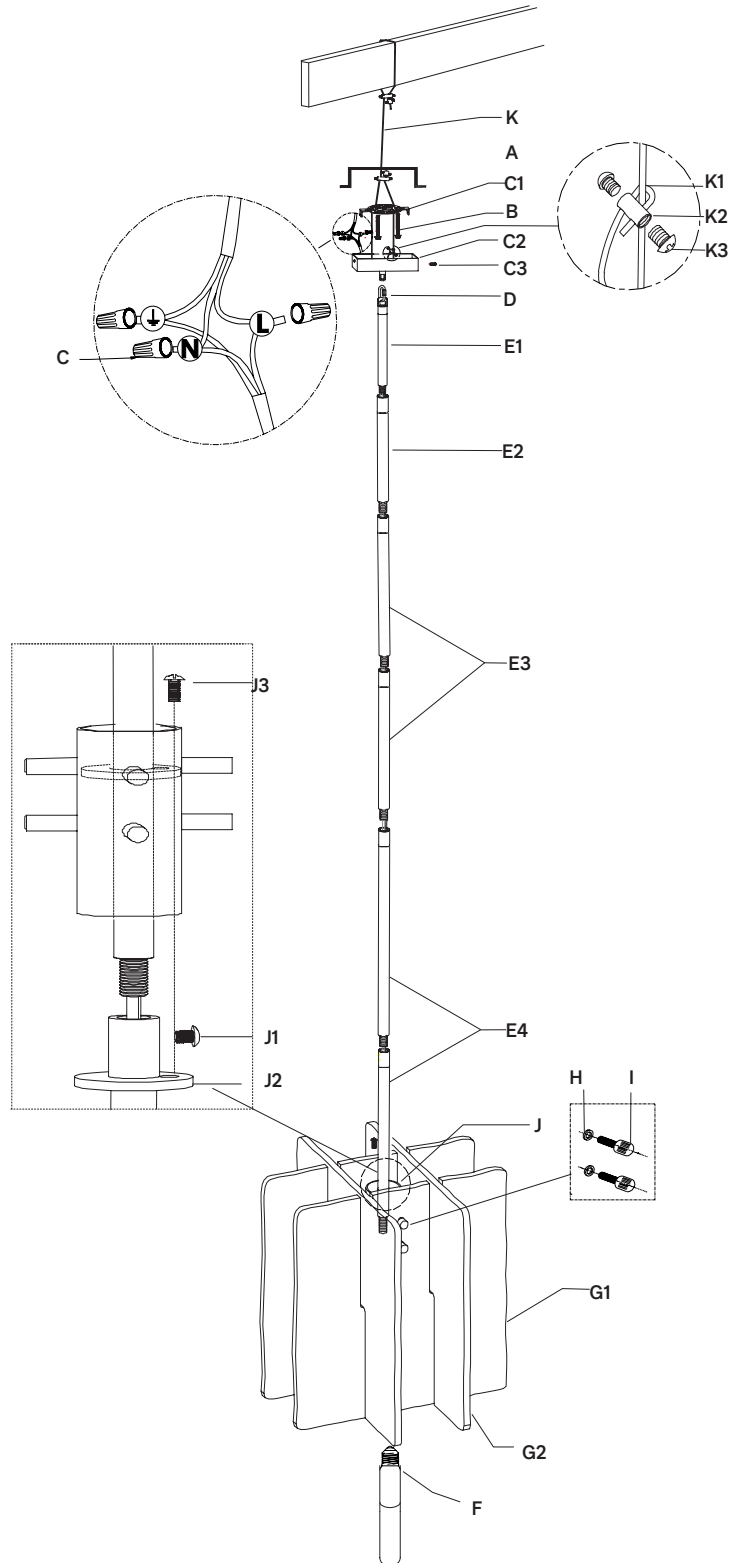
ASSEMBLY AND INSTALLATION INSTRUCTIONS

ENGLISH

LATTICE PENDANT

PARTS INCLUDED

- (A) Junction Box, 50lbs./22.7kg. MIN. FIXTURE RATED (not included)
- (B) Mounting Bolts (2) (for Junction Box only)
- (C) Wire Nuts (3)
- (C1) Ceiling Plate (1)
- (C2) Ceiling Box (1)
- (C3) Ceiling Bolts (2)
- (D) Quick Link (5mm) (1)
- (E1) Extension Rod, 6" (15cm) (1)
- (E2) Extension Rod, 6" (15cm) (1)
- (E3) Extension Rods, 12" (30.5cm) (2)
- (E4) Extension Rods, 18" (46cm) (2)
- (F) Bulb (1)
- (G1) Glass Plates, 13" (33cm) x 13" (33cm) (2)
- (G2) Glass Plates, 13" (33cm) x 13" (33cm) (2)
- (H) Rubber Washers (8 + 4 extra)
- (I) Shade Bolts (8 + 4 extra)
- (J) Fixture Body (1)
- (J1) Set Bolt (1)
- (J2) Metal Rod (1)
- (J3) Bolts (4)
- (K) Safety Cable (1)
- (K1) Steel Safety Cable (1)
- (K2) Nut Locker (1)
- (K3) Cable Set Bolts (2)



IMPORTANT: PLEASE READ

PLEASE FOLLOW THE ASSEMBLY INSTRUCTIONS CLOSELY. IMPROPER ASSEMBLY OR INSTALLATION CAN RESULT IN PERSONAL OR PROPERTY DAMAGE. MOUNTING HARDWARE HAS BEEN PROVIDED FOR MOUNTING TO A JUNCTION BOX. UNIQUE OR ALTERNATIVE INSTALLATION TYPES MAY REQUIRE DIFFERENT MOUNTING HARDWARE, WHICH HAS NOT BEEN INCLUDED. ALWAYS CONSULT WITH A LICENSED ELECTRICIAN BEFORE INSTALLATION.

INSTALLATION BY A LICENSED ELECTRICIAN IS STRONGLY RECOMMENDED.

IMPORTANT SAFETY FEATURES

BULBS

This fixture has been rated for 1 (one) 60-watt maximum E26 Type T9 incandescent bulb (not included), or 1 (one) 9-watt maximum E26 Type T9 LED bulb (not included). This fixture includes 1 (one) 5-watt E26 Type T9 LED bulb. To avoid the risk of fire, do not exceed the recommended wattage.

VAULTED CEILING COMPATIBILITY

This fixture is vaulted-ceiling compatible, up to a maximum ceiling slope of 15 degrees.

DIMMER SWITCH COMPATIBILITY

This fixture is dimmer-switch compatible, and may be used with a forward- or reverse-phase dimmer switch.

WARNING

All wires are connected. When unpacking, be careful not to pull wires, as damage may result. Do not connect electricity until the fixture is fully assembled. To reduce the risk of fire, electrical shock, or personal injury, always turn off the fixture and allow it to cool prior to replacing the lightbulb. Do not touch or look directly at the bulb when the fixture is illuminated. Keep flammable materials away from lit bulb.

WARNING: STRANGULATION HAZARD

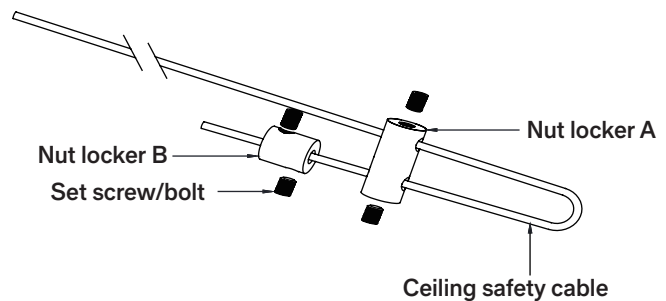
Keep cord at least 3 feet (91cm) away from cribs, bassinets, and toddler beds.

Keep out of reach of children under 3 years of age.

THIS PRODUCT IS NOT A TOY AND HAS NO PLAY VALUE.

INSTALL SAFETY CABLE

1. Remove nut lockers A and B by loosening the set screws/bolts from the ceiling safety cable before installation.
2. Insert the ceiling safety cable through the nut lockers, as shown in the diagram below.
3. Fasten nut locker A with set screw/bolt.
4. Fasten nut locker B with set screw/bolt.



ASSEMBLY AND INSTALLATION**SHUT OFF THE MAIN ELECTRICAL SUPPLY FROM THE FUSE BOX OR CIRCUIT BREAKER PANEL.**

1. Carefully remove all parts from the box and remove all plastic coverings.
2. Turn OFF power to Junction Box (A) where the fixture will be installed.
3. Loosen Ceiling Bolts (C3) and remove Ceiling Plate (C1) from Ceiling Box (C2).
4. Attach Ceiling Plate (C1) to Junction Box (A) and secure with Mounting Bolts (B).
5. Loosen Bolts (J3) and Set Bolt (J1), and remove Metal Rod (J2) from Fixture Body (J).
6. Loosen Cable Set Bolts (K3) and remove Steel Safety Cable (K1) from Nut Locker (K2).
7. Insert Extension Rods (E4) through Fixture Body (J), feeding the wires and Steel Safety Cable (K1) through Extension Rods (E4). Then fasten Extension Rods (E4) to Metal Rod (J2) with Set Bolt (J1).
8. Attach Metal Rod (J2) to Fixture Body (J) with Bolts (J3).
9. Feed the wires and Steel Safety Cable (K1) through Extension Rods (E3, E2, and E1).
10. Tighten all Extension Rods (E1, E2, E3, and E4) and make connections. If the extension rods are not aligned, loosen them a little bit until they are aligned. Then tighten all Extension Rods (E1, E2, E3, and E4).
11. Have a professional contractor reinforce the ceiling. Attach Safety Cable (K) to the ceiling beam through Junction Box (A). Then attach Safety Cable (K) to the fixture with Nut Locker (K2).
12. Move Fixture Body (J) up to Ceiling Box (C2) and attach the collar of Extension Rod (E1) to Ceiling Plate (C1) with Quick Link (D). Then feed the wires and Steel Safety Cable (K1) through Ceiling Box (C2).
13. Secure Steel Safety Cable (K1) to one of the steel cables inside Ceiling Box (C2) with Nut Locker (K2) and Cable Set Bolts (K3).
14. Carefully inspect the fixture wires. One is the ground wire (marked with \oplus). The second is the neutral wire (marked with N). The third wire is the live/hot wire (marked with L).
15. Connect the fixture ground wire to the power supply ground wire with a Wire Nut (C).

NOTE: IT IS IMPERATIVE THAT THE OUTLET BOX IN YOUR HOME IS PROPERLY GROUNDED.

16. Connect the fixture neutral wire to the power supply neutral wire with a Wire Nut (C).
17. Connect the fixture live/hot wire to the power supply live/hot wire with a Wire Nut (C).

CAUTION: DO NOT REVERSE THE HOT AND NEUTRAL CONNECTIONS OR SAFETY WILL BE COMPROMISED.

18. Move Ceiling Box (C2) up to Ceiling Plate (C1). Then fasten Ceiling Bolts (C3).
19. Insert Bulb (F) into the fixture socket.
20. Attach Glass Plates (G1 and G2) to Fixture Body (J). Secure with Shade Bolts (I) and Rubber Washers (H), as shown in the diagrams on the following page. Place the flat surfaces of Glass Plates (G1 and G2) toward the lamp holder, and adjust them so that they are level before tightening Shade Bolts (I). Do not overtighten.
21. Restore power to Junction Box (A) and test the fixture.
22. Assembly is complete.

CARE INSTRUCTIONS

Do not use polishes or cleaners on the fixture.

Wipe clean with a soft, dry cloth.

GLASS PLATE ASSEMBLY AND INSTRUCTIONS

FIGURE 1: Installation for Glass Plate (G1).

FIGURE 1

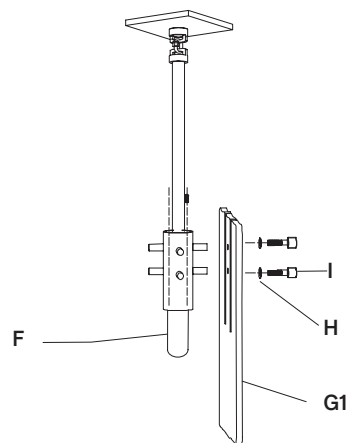


FIGURE 2: Installation for the second Glass Plate (G1).

FIGURE 2

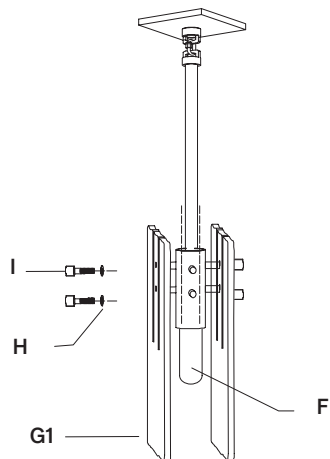
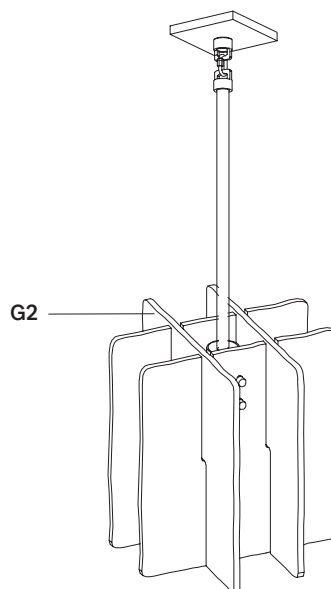


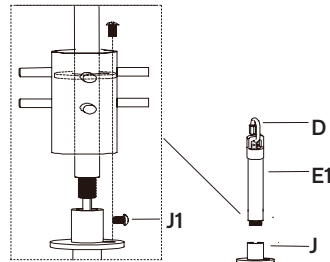
FIGURE 3: Installation for Glass Plates (G2).

FIGURE 3

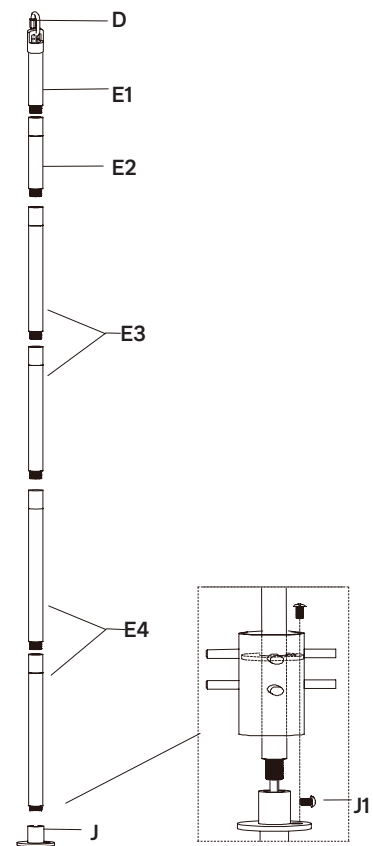


HEIGHT ADJUSTMENT INSTRUCTIONS

1. Feed the wires through Extension Rod (E1). Then fasten Extension Rod (E1) to Fixture Body (J) and secure with Set Bolt (J1).



2. Or, feed the wires through Extension Rods (E2, E3, or E4) and secure with Set Bolt (J1). Then fasten Extension Rod (E1) to Extension Rods (E2, E3, or E4).



ATTENTION: ADJUSTING THE HANG HEIGHT

Any adjustments or alterations to the fixture, cord, or overall hang height that differ from those detailed on RH.com will void the Laboratory Listing and Approvals (UL, ETL, CSA, etc.). If the listing is voided, this means the product may no longer be safe for use as modified. RH does not recommend modifying the product.