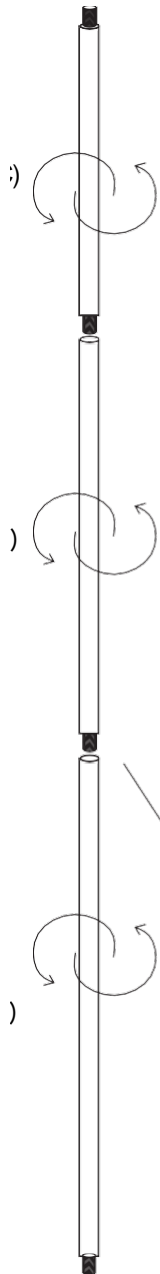
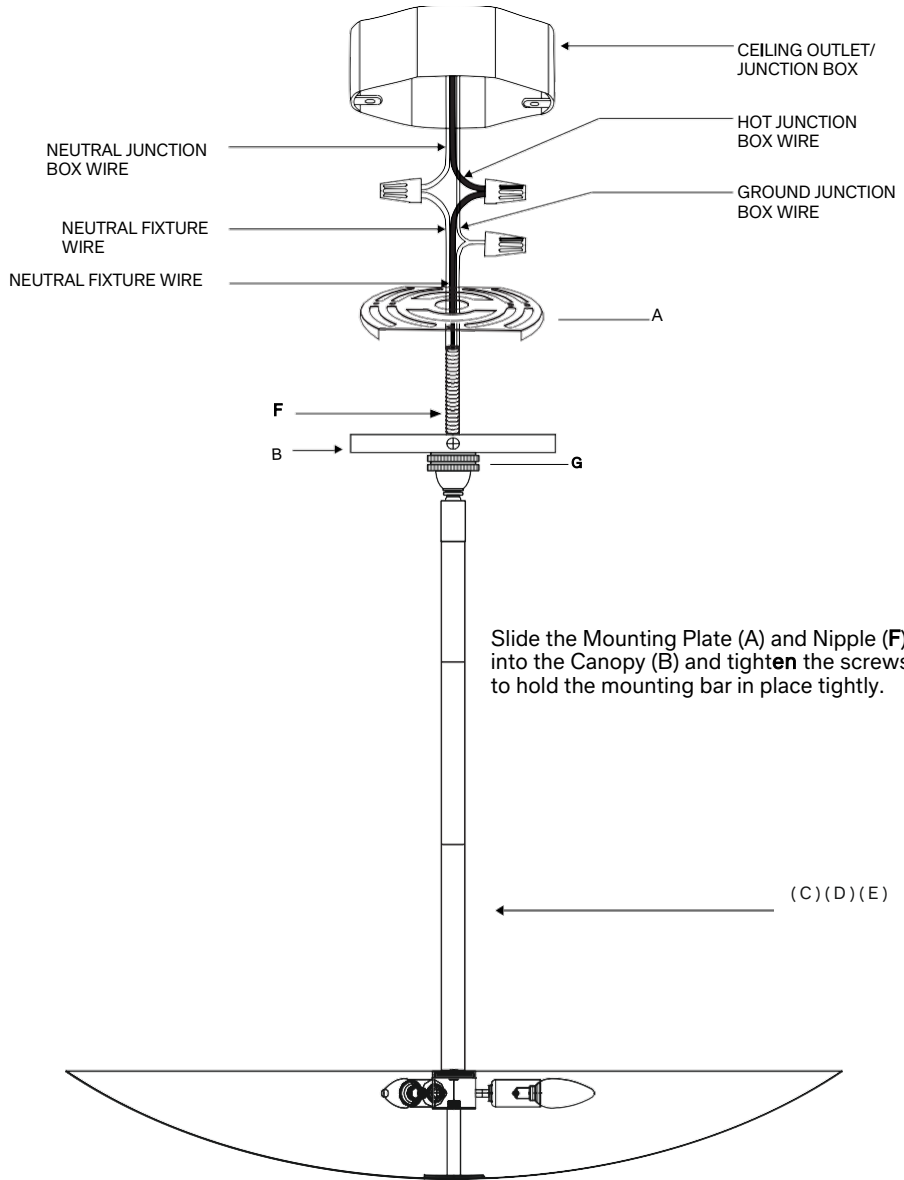


ITALIAN DISH PENDANT/FLUSHMOUNT

PARTS ENCLOSED

- A) Mounting Plate (1)
- B) Canopy (1)
- C) 18" Extension Rod (1)
- D) 12" Extension Rod (1)
- E) 6" Extension Rod (1)
- F) Nipple (1)
- G) Canopy Loop (1)



Attach rods **together** to achieve the desired height of the pendant.

Slide the Mounting Plate (A) and Nipple (F) into the Canopy (B) and tighten the screws to hold the mounting bar in place tightly.

(C)(D)(E)

ITALIAN DISH PENDANT/FLUSHMOUNT

IMPORTANT SAFETY INSTRUCTIONS

INSTALLATION BY A LICENSED ELECTRICIAN IS STRONGLY RECOMMENDED.


SAFETY INSTRUCTIONS

This pendant must be mounted to the ceiling independent of an outlet box. Your ceiling may require modification to allow the mounting plate to be secured to a structural member. This fixture **MUST NOT** be secured using any type of hollow ceiling anchor, such as a toggle bolt.

This pendant has been rated for up to three (3) 60-watt maximum Type A standard lightbulbs or 9-watt LED bulbs. To avoid the risk of fire, do not exceed the recommended wattage.

WARNINGS

All wires are connected. When unpacking, be careful not to pull wires, as a bad connection may result. Do not connect electricity until your fixture is fully assembled. To reduce the risk of fire, electrical shock, or personal injury, always turn off fixture and allow it to cool prior to replacing the lightbulbs. Do not touch or look directly at the bulbs when fixture is illuminated. Keep flammable materials away from lit bulbs.

 **WARNING:** This product can expose you to lead, which is known to the State of California to cause cancer and birth defects or other reproductive harm. For more information, go to www.P65Warnings.ca.gov

THIS PRODUCT IS NOT A TOY AND HAS NO PLAY VALUE.

 **WARNING: STRANGULATION HAZARD**

Keep cord at least 3 feet away from cribs, bassinets, and toddler beds. Keep out of reach of children under 3 years of age.

ASSEMBLY & INSTALLATION

SHUT OFF THE MAIN ELECTRICAL SUPPLY FROM THE FUSE BOX OR CIRCUIT BREAKER PANEL.

1. Carefully remove all parts from the box and remove all plastic coverings.
2. Determine the hanging length of pendant.
3. Join Extension Rods (C) (D) (E) according to the height needed.
4. Feed wires through the Connection Rods; the wires will come out on the backside of the Canopy (B).
5. Attach Mounting Plate (A) to ceiling and secure with mounting screws (not included) and proper fasteners from your local hardware store.
6. Attach Nipple (F) with Canopy Loop (G).
7. Hook Carabiner onto Connection Rods (C) (D) (E) to Canopy Loop (G).
8. Carefully inspect the pendant's two fixture wires. One has very fine ridges molded into the plastic covering – this is the NEUTRAL WIRE. The second wire's covering is smooth – this is the HOT WIRE. The bare wire is the GROUND WIRE.
9. Connect the GROUND WIRE from the fixture with the ground wire (usually bare) from your ceiling box using a wire nut. If your house does not have ground wire, then attach the GROUND WIRE from the fixture to the green grounding screw inside of the outlet box. IT IS IMPERATIVE THAT THE OUTLET BOX IN YOUR HOME BE PROPERLY GROUNDED.
10. Connect the NEUTRAL WIRE from your pendant with the neutral wire (usually white) from your ceiling box using a wire nut.
11. Connect the HOT WIRE from your fixture with the hot wire (usually black) from your outlet box using a wire nut. **DO NOT REVERSE THE HOT AND NEUTRAL CONNECTIONS OR SAFETY WILL BE COMPROMISED.**
12. Tuck the wire connection neatly into the ceiling outlet box.
13. Attach Canopy (B) with light pendant to affixed Mounting Plate (A). Insert the recommended bulb into sockets.
14. Assembly is complete.

CARE INSTRUCTIONS

Do not use polishes or cleaners on the fixture. Wipe clean with a soft, dry cloth.