

HARLOW RECTANGULAR CHANDELIER 74"

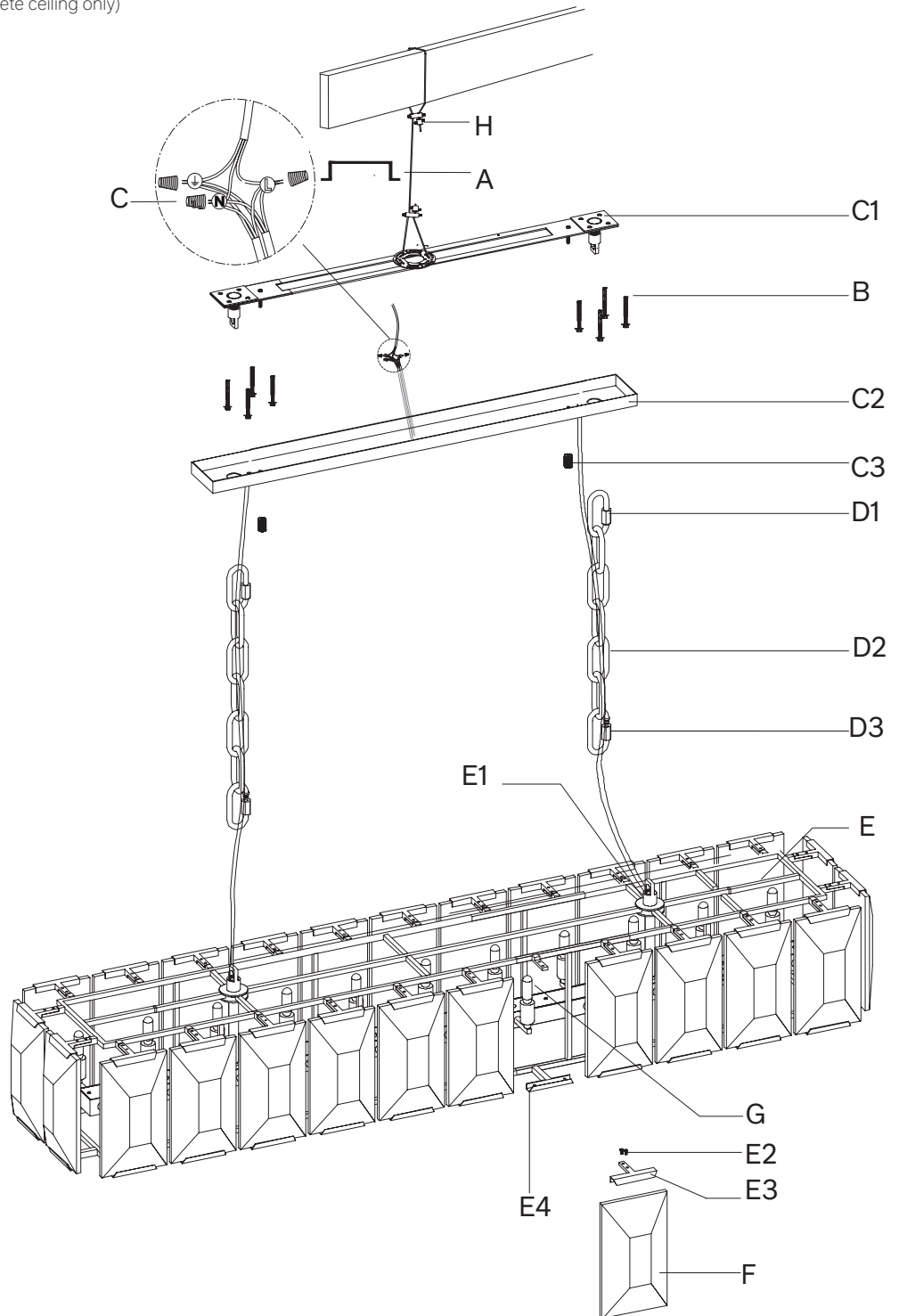
ASSEMBLY & INSTALLATION INSTRUCTIONS

UNITED STATES ENGLISH

HARLOW RECTANGULAR CHANDELIER 74"

PARTS INCLUDED:

- (A) Junction Box, 50lbs/22.7kg MIN. FIXTURE RATED (not included)
- (B) Mounting Bolts (8 sets; for concrete ceiling only)
- (C) Wire Nuts (3)
- (C1) Ceiling Plate (1)
- (C2) Ceiling Box (1)
- (C3) Nut Caps (2)
- (D1) Quick Links (8 mm) (2)
- (D2) Chains (8 mm) (2)
- (D3) Quick Links (8 mm) (2)
- (E) Fixture Body (1)
- (E1) Collars (2)
- (E2) Bolts (52)
- (E3) Top Brackets (26)
- (E4) Bottom Brackets (26)
- (F) Blocks (26)
- (G) Bulbs (22 +7 extra)
- (H) Safety Cable (1)



IMPORTANT: PLEASE READ

PLEASE FOLLOW THE ASSEMBLY INSTRUCTIONS CLOSELY. IMPROPER ASSEMBLY OR INSTALLATION CAN RESULT IN PERSONAL OR PROPERTY DAMAGE. MOUNTING HARDWARE HAS BEEN PROVIDED FOR MOUNTING TO CONCRETE CEILING. UNIQUE OR ALTERNATIVE INSTALLATION TYPES MAY REQUIRE DIFFERENT MOUNTING HARDWARE, WHICH HAS NOT BEEN INCLUDED. ALWAYS CONSULT WITH A LICENSED ELECTRICIAN BEFORE INSTALLATION.

INSTALLATION BY A LICENSED ELECTRICIAN IS STRONGLY RECOMMENDED.

IMPORTANT SAFETY FEATURES

BULBS

This fixture has been rated for twenty-two (22) 25-watt maximum E12 TYPE T6 incandescent bulbs (twenty-two (22) 25-watt E12 TYPE T6 incandescent bulbs included) or twenty-two (22) 6-watt maximum E12 TYPE T6 LED bulbs (not included). To avoid the risk of fire, do not exceed the recommended wattage.

VAULTED CEILING COMPATIBILITY

This fixture is not vaulted-ceiling compatible

DIMMER SWITCH COMPATIBILITY

This fixture is dimmer-switch compatible and may be used with a forward- or reverse-phase dimmer switch.

CEILING REINFORCEMENT

Fixtures weighing 50 lbs/22.7kg or more will require additional reinforcement above the ceiling where they are to be installed.

WARNINGS

All wires are connected. When unpacking, be careful not to pull wires, as damage may result. Do not connect electricity until the fixture is fully assembled. To reduce the risk of fire, electrical shock, or personal injury, always turn off fixture and allow it to cool prior to replacing the lightbulbs. Do not touch or look directly at the bulbs when fixture is illuminated. Keep flammable materials away from lit bulbs.

WARNING: STRANGULATION HAZARD

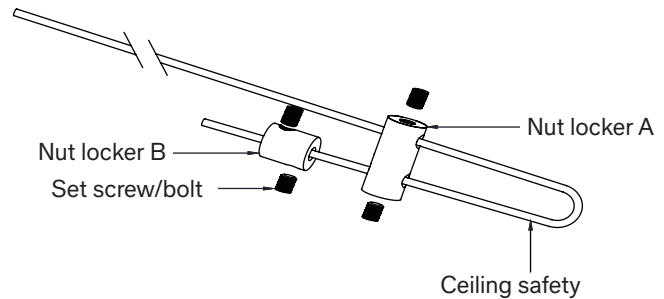
Keep cord at least 3 feet (91cm) away from cribs, bassinets, and toddler beds.

Keep out of reach of children under 3 years of age.

THIS PRODUCT IS NOT A TOY AND HAS NO PLAY VALUE.

INSTALL SAFETY CABLE

1. Remove the nut locker A & B by loosening the set screw from the ceiling safety cable before installation.
2. Insert the ceiling safety cable through the nut lockers as the drawing shows.
3. Fasten the nut locker A with set screw/bolt.
4. Fasten the nut locker B with set screw/bolt.



ASSEMBLY AND INSTALLATION

SHUT OFF THE MAIN ELECTRICAL SUPPLY FROM THE FUSE BOX OR CIRCUIT BREAKER PANEL.

1. Carefully remove all parts from the box and remove all plastic coverings.
2. Turn OFF power to junction box (A) where the fixture will be installed.
3. Unlock quick links (D3) to attach the chains (D2) to the collars (E1) of the fixture body (E).
4. Loosen the nut caps (C3) from the ceiling box (C2) and remove the ceiling plate (C1) from the ceiling box.
5. Have a professional contractor reinforce ceiling. Attach the safety cable (H) to the ceiling beam through the junction box (A), then attach the safety cable to the fixed fixture on the ceiling with the nut locker.
6. Attach the ceiling plate (C1) to the ceiling secure with mounting bolts (B). then attach the ceiling box (C2) to ceiling plate (C1), then fasten the nut caps (C3).
7. Feed wires along with the chains (D2) to come out from the top of the chains.
8. Move the fixture body (E) up to ceiling plate (C1), unlock quick links (D1) to attach the ceiling plate (C1).
9. Move the ceiling box (C2) down from the ceiling plate (C1) and feed wires through the ceiling box (C2).
10. Carefully inspect the fixture wires. One is the ground wire (marked with \oplus). The second is the neutral wire (marked with N). The third wire is the live/hot wire (marked with L).
11. Connect the fixture ground wire to the power supply ground wire with wire nut (C).
NOTE: IT IS IMPERATIVE THAT THE OUTLET BOX IN YOUR HOME BE PROPERLY GROUNDED.
12. Connect the fixture neutral wire to the power supply neutral wire with wire nut (C).
13. Connect the fixture live/hot wire to the power supply live/hot wire with wire nut (C).
CAUTION: DO NOT REVERSE THE HOT AND NEUTRAL CONNECTIONS, AS SAFETY WILL BE COMPROMISED.
14. Move the ceiling box (C2) up to the ceiling, then fasten the nut caps (C3).
15. Fasten lightbulbs (G) to the sockets.
16. Attach the blocks (F) on the bottom brackets (E4), adjust brackets (E3) to be aligned before tighten bolts (E2). To ensure the balance of the fixture body (E) during glass blocks installation, please install the glass blocks in balanced way on the opposite side.
17. Restore power to the junction box and test fixture.
18. Assembly is complete.

CARE INSTRUCTIONS

Do not use polishes or cleaners on the fixture. Wipe clean with a soft, dry cloth.

HEIGHT ADJUSTMENT INSTRUCTIONS

1. Saw through the chain along a weld line, then use two pairs of pliers to gently pry the links apart along a split-line formed in each link so that a space is created large enough for the link to be removed from the remaining chain. See diagram 1, 2 & 3.

NOTE:

- a. The chain length may be shortened from either end.
 - b. Use a clean cloth or a folded piece of paper between the pliers and the link to protect the finish of the link during the chain bending.
2. Once the chain is at the desired length, install the chain gently with the quick link as shown in diagram 4.

ATTENTION: ADJUSTING THE HANG HEIGHT

Any adjustments or alterations to the fixture, cord, or overall hang height that differ from those detailed on RH.com will void the Laboratory Listing and Approvals (UL, ETL, CSA, etc.). If the listing is voided, this means the product may no longer be safe for use as modified. RH does not recommend modifying the product.

