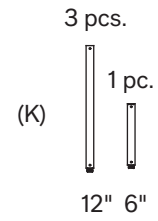


ÉCHELON 24" PENDANT

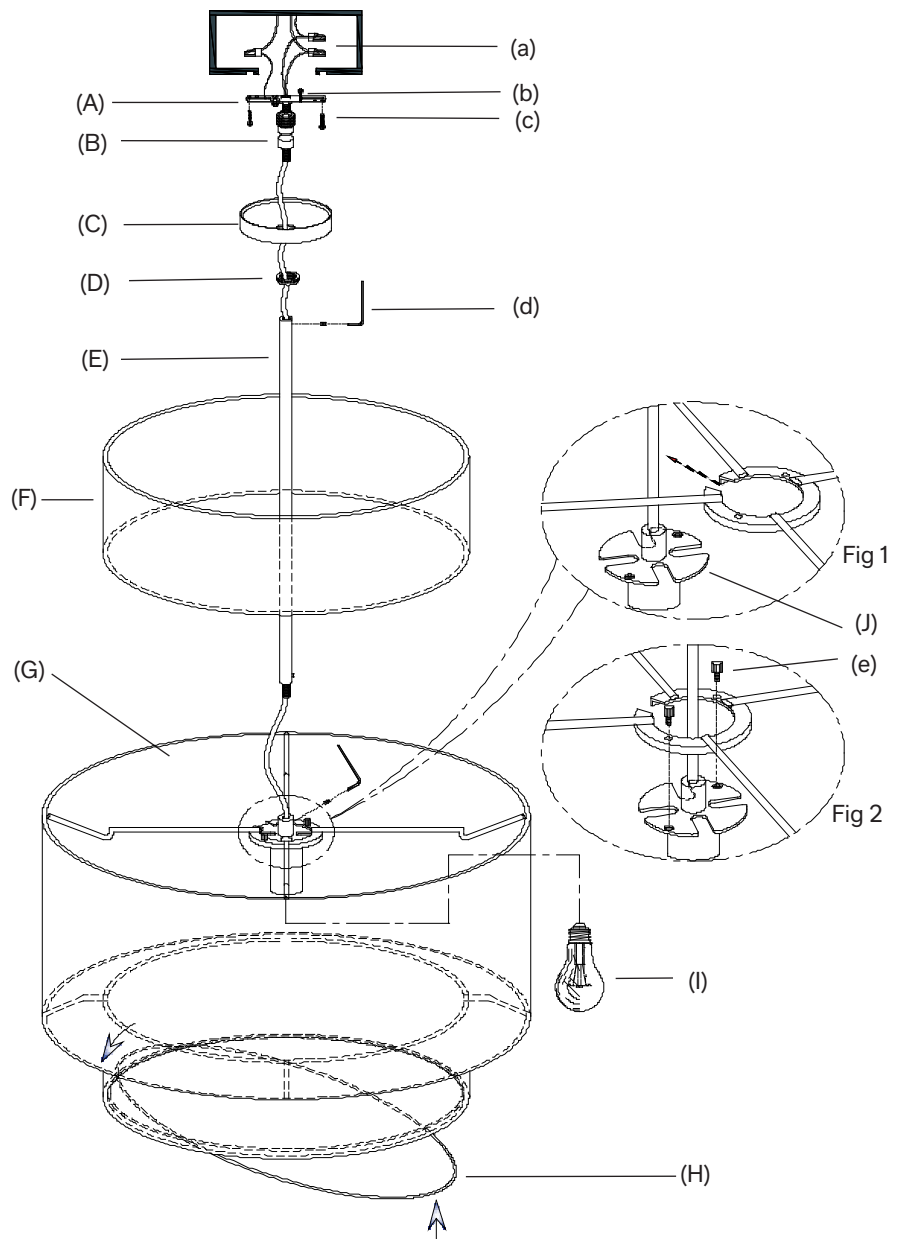
PARTS ENCLOSED:

- (A) Mounting plate (1)
- (B) Swivel (1)
- (C) Canopy (1)
- (D) Ring (1)
- (E) Rod (1)
- (F) Small shade (1)
- (G) Large shade (1)
- (H) Diffuser (1)
- (I) Bulb (1)
- (J) Holder (1)
- (K) Extension rod (4)



HARDWARE INCLUDED:

- (a) Plastic wire connector (3)
- (b) Green ground screw (1)
- (c) Mounting screw (2)
- (d) Allen Key (1)
- (e) Nut (2)



ÉCHELON 24" PENDANT

IMPORTANT SAFETY INSTRUCTIONS:

1. Use an authorized and certified electrician for consultation and installation. Electrician must be familiar with commercial-type applications of very heavy chandeliers.
2. This fixture has been rated for up to (1) 100-Watt maximum Type A bulb (included). To avoid the risk of fire, do not exceed the recommended wattage.

WARNINGS:

All wires are connected. When unpacking, be careful not to pull wires, as a bad connection may result. Do not connect electricity until fixture is fully assembled.

To reduce the risk of fire, electrical shock or personal injury, always turn off fixture and allow it to cool prior to replacing bulb.

Do not touch bulb or look directly at lit bulb when fixture is turned on. Keep flammable materials away from lit bulb.

This lighting fixture contains lead, a chemical known to the State of California to cause cancer, birth defects and other reproductive harm. Wash hands after installing, handling, cleaning or otherwise touching this light fixture.

ASSEMBLY & INSTALLATION:

A LICENSED ELECTRICIAN SHOULD INSTALL THIS FIXTURE.

1. Carefully remove all parts from the box and remove all plastic coverings.
2. Shut off electrical supply at main fuse box / circuit breaker.
3. Put the rod (E) into the holder (J) and turn clockwise until the rod is fully screwed into the holder. Secure the rod using the Allen key (d) provided .
4. Put the rod (E) into the swivel (B) and turn clockwise until the swivel's threading fully screws into the rod. Secure the rod and swivel using the Allen key (d) provided.
5. If needed, you can locate the extension rods (K) and check the actual suspension length compared to the incremental fixture suspension length per number of extensions desired.
6. Fix the large shade (G) onto the holder (J) using the nut (e). Refer Fig 1 and Fig 2.

7. Put the small shade (F) onto the large shade (G).
8. Attach the ground wire from the fixture to the ground junction box wire from the outlet box (usually green or bare wire). Or wrap the fixture's ground wire around the green ground screw (b), and fix the green ground screw into the mounting plate (A).
9. Connect the hot wire to the hot junction box wire (usually black or smooth) with a plastic wire connector (a) and wrap the connection with electrical tape. Connect the neutral wire to the neutral junction box wire (usually white or ribbed) with a plastic wire connector (a) and wrap the connection with electrical tape.
10. Attach the mounting plate (A) to the outlet box using the mounting screws (c). Tighten with a screwdriver.
11. Attach the canopy (C) to the mounting plate (A) using the ring (D) and fully tighten it.
12. Insert the 100-Watt Type A bulb (I) into threaded socket. Insert the diffuser (H) into the large shade (G). The diffuser will lie flat at the bottom of shade.
13. Restore power to the junction box and test fixture. Installation is complete.

CARE INSTRUCTIONS:

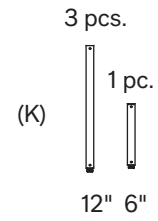
Do not use polishes or cleaners on the fixture.

WIPE CLEAN WITH A SOFT, DRY CLOTH.

ÉCHELON 30" PENDANT

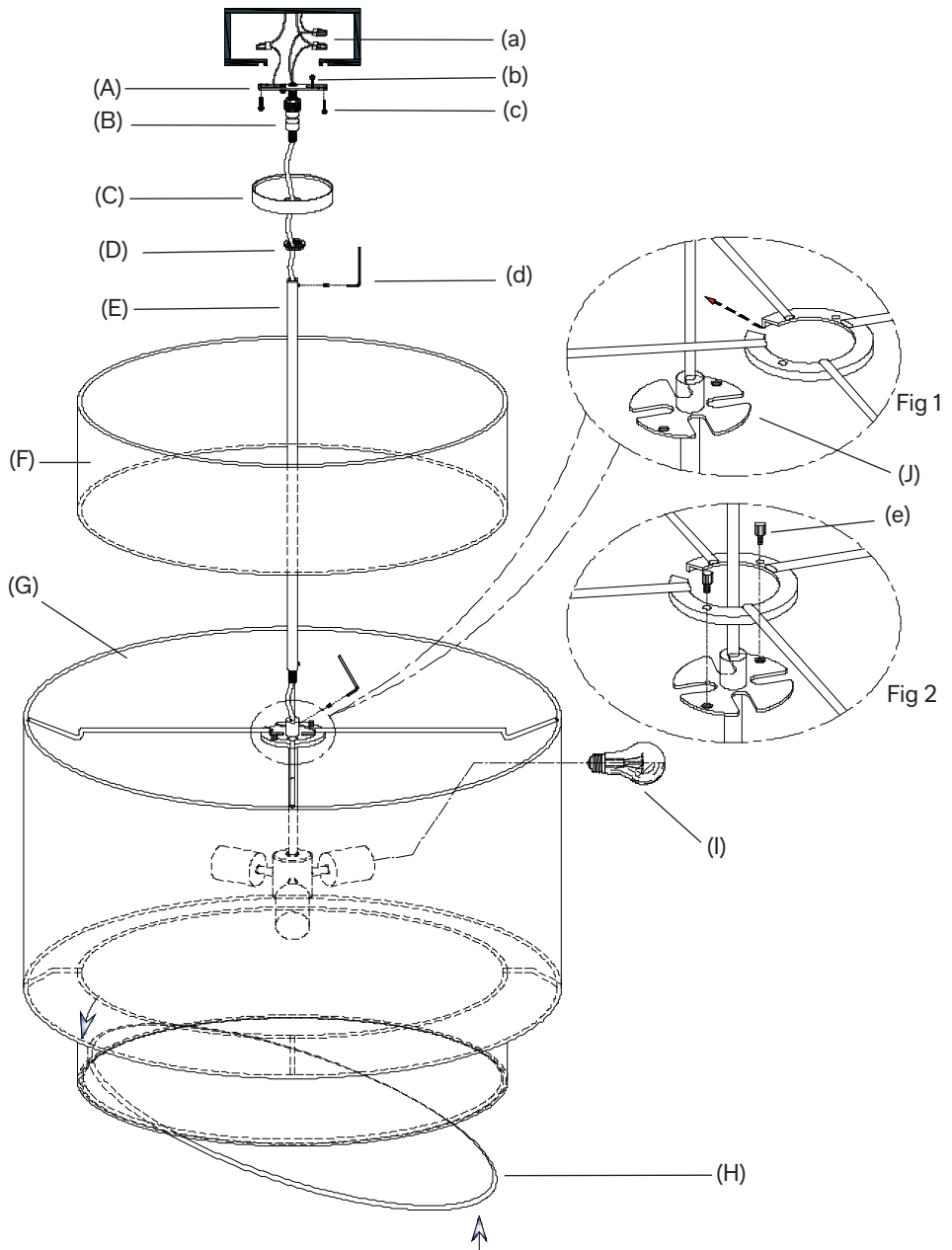
PARTS ENCLOSED:

- (A) Mounting plate (1)
- (B) Swivel (1)
- (C) Canopy (1)
- (D) Ring (1)
- (E) Rod (1)
- (F) Small shade (1)
- (G) Large shade (1)
- (H) Diffuser (1)
- (I) Bulb (3)
- (J) Holder (1)
- (K) Extension rod (4)



HARDWARE INCLUDED:

- (a) Plastic wire connector (3)
- (b) Green ground screw (1)
- (c) Mounting screw (2)
- (d) Allen Key (1)
- (e) Nut (2)



ÉCHELON 30" PENDANT

IMPORTANT SAFETY INSTRUCTIONS:

1. Use an authorized and certified electrician for consultation and installation. Electrician must be familiar with commercial-type applications of very heavy chandeliers.
2. This fixture has been rated for up to (3) 60-Watt maximum Type A bulbs (included). To avoid the risk of fire, do not exceed the recommended wattage.

WARNINGS:

All wires are connected. When unpacking, be careful not to pull wires, as a bad connection may result. Do not connect electricity until fixture is fully assembled.

To reduce the risk of fire, electrical shock or personal injury, always turn off fixture and allow it to cool prior to replacing bulb.

Do not touch bulb or look directly at lit bulb when fixture is turned on. Keep flammable materials away from lit bulb.

This lighting fixture contains lead, a chemical known to the State of California to cause cancer, birth defects and other reproductive harm. Wash hands after installing, handling, cleaning or otherwise touching this light fixture.

ASSEMBLY & INSTALLATION:

A LICENSED ELECTRICIAN SHOULD INSTALL THIS FIXTURE.

1. Carefully remove all parts from the box and remove all plastic coverings.
2. Shut off electrical supply at main fuse box / circuit breaker.
3. Put the rod (E) into the holder (J) and turn clockwise until the rod is fully screwed into the holder. Secure the rod using the Allen key (d) provided .
4. Put the rod (E) into the swivel (B) and turn clockwise until the swivel's threading fully screws into the rod. Secure the rod and swivel using the Allen key (d) provided.
5. If needed, you can locate the extension rods (K) and check the actual suspension length compared to the incremental fixture suspension length per number of extensions desired.
6. Fix the large shade (G) onto the holder (J) using the nut (e). Refer Fig 1 and Fig 2.

7. Put the small shade (F) onto the large shade (G).
8. Attach the ground wire from the fixture to the ground junction box wire from the outlet box (usually green or bare wire). Or wrap the fixture's ground wire around the green ground screw (b), and fix the green ground screw into the mounting plate (A).
9. Connect the hot wire to the hot junction box wire (usually black or smooth) with a plastic wire connector (a) and wrap the connection with electrical tape. Connect the neutral wire to the neutral junction box wire (usually white or ribbed) with a plastic wire connector (a) and wrap the connection with electrical tape.
10. Attach the mounting plate (A) to the outlet box using the mounting screws (c). Tighten with a screwdriver.
11. Attach the canopy (C) to the mounting plate (A) using the ring (D) and fully tighten it.
12. Insert the 60-Watt Type A bulbs (I) into threaded sockets. Insert the diffuser (H) into the large shade (G). The diffuser will lie flat at the bottom of shade.
13. Restore power to the junction box and test fixture. Installation is complete.

CARE INSTRUCTIONS:

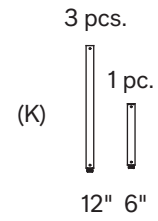
Do not use polishes or cleaners on the fixture.

WIPE CLEAN WITH A SOFT, DRY CLOTH.

ÉCHELON 36" PENDANT

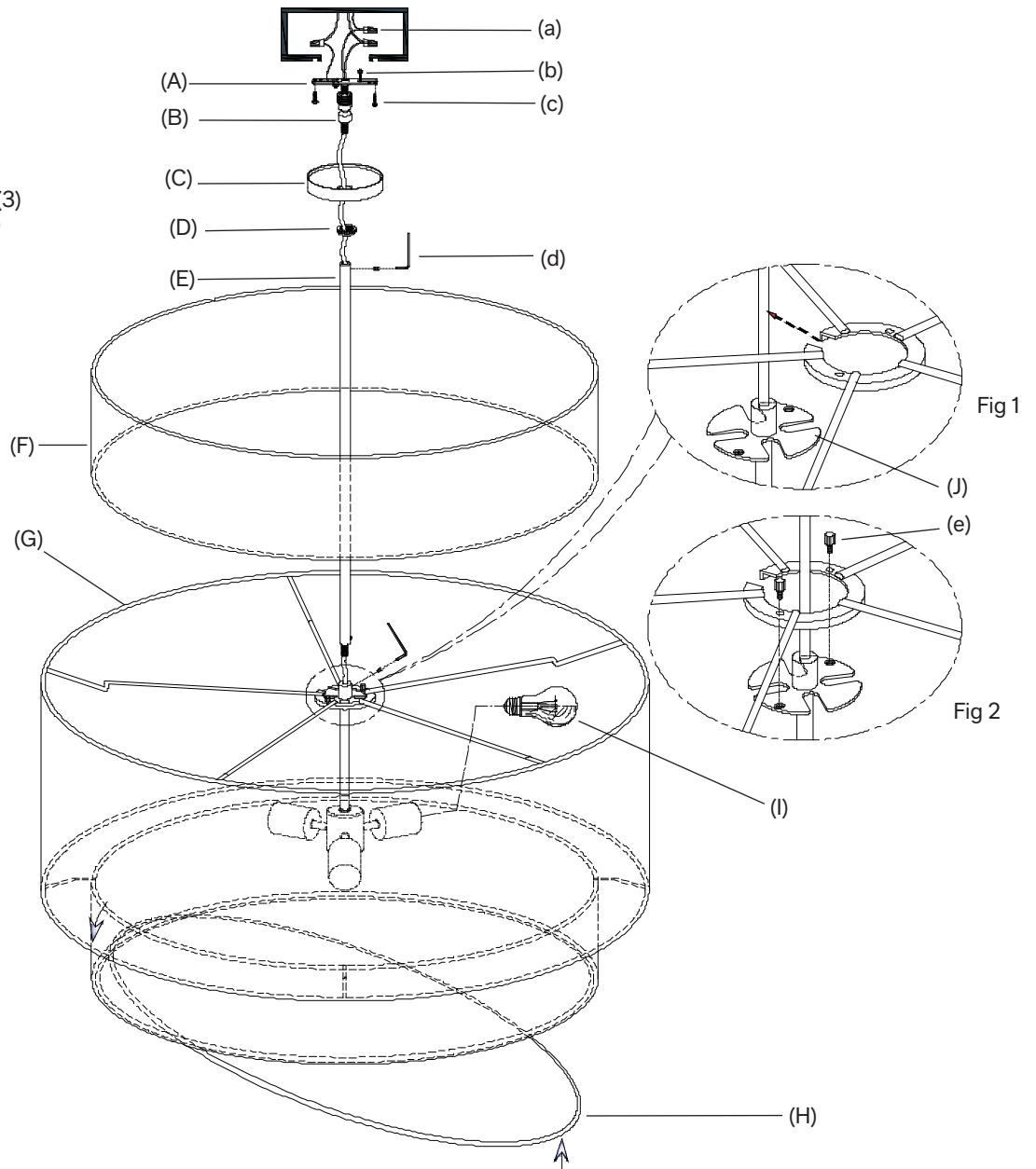
PARTS ENCLOSED:

- (A) Mounting plate (1)
- (B) Swivel (1)
- (C) Canopy (1)
- (D) Ring (1)
- (E) Rod (1)
- (F) Small shade (1)
- (G) Large shade (1)
- (H) Diffuser (1)
- (I) Bulb (3)
- (J) Holder (1)
- (K) Extension rod (4)



HARDWARE INCLUDED:

- (a) Plastic wire connector (3)
- (b) Green ground screw (1)
- (c) Mounting screw (2)
- (d) Allen Key (1)
- (e) Nut (2)



ÉCHELON 36" PENDANT

IMPORTANT SAFETY INSTRUCTIONS:

1. Use an authorized and certified electrician for consultation and installation. Electrician must be familiar with commercial-type applications of very heavy chandeliers.
2. This fixture has been rated for up to (3) 60-Watt maximum Type A bulbs (included). To avoid the risk of fire, do not exceed the recommended wattage.

WARNINGS:

All wires are connected. When unpacking, be careful not to pull wires, as a bad connection may result. Do not connect electricity until fixture is fully assembled.

To reduce the risk of fire, electrical shock or personal injury, always turn off fixture and allow it to cool prior to replacing bulb.

Do not touch bulb or look directly at lit bulb when fixture is turned on. Keep flammable materials away from lit bulb.

This lighting fixture contains lead, a chemical known to the State of California to cause cancer, birth defects and other reproductive harm. Wash hands after installing, handling, cleaning or otherwise touching this light fixture.

ASSEMBLY & INSTALLATION:

A LICENSED ELECTRICIAN SHOULD INSTALL THIS FIXTURE.

1. Carefully remove all parts from the box and remove all plastic coverings.
2. Shut off electrical supply at main fuse box / circuit breaker.
3. Put the rod (E) into the holder (J) and turn clockwise until the rod is fully screwed into the holder. Secure the rod using the Allen key (d) provided .
4. Put the rod (E) into the swivel (B) and turn clockwise until the swivel's threading fully screws into the rod. Secure the rod and swivel using the Allen key (d) provided.
5. If needed, you can locate the extension rods (K) and check the actual suspension length compared to the incremental fixture suspension length per number of extensions desired.
6. Fix the large shade (G) onto the holder (J) using the nut (e). Refer Fig 1 and Fig 2.

7. Put the small shade (F) onto the large shade (G).
8. Attach the ground wire from the fixture to the ground junction box wire from the outlet box (usually green or bare wire). Or wrap the fixture's ground wire around the green ground screw (b), and fix the green ground screw into the mounting plate (A).
9. Connect the hot wire to the hot junction box wire (usually black or smooth) with a plastic wire connector (a) and wrap the connection with electrical tape. Connect the neutral wire to the neutral junction box wire (usually white or ribbed) with a plastic wire connector (a) and wrap the connection with electrical tape.
10. Attach the mounting plate (A) to the outlet box using the mounting screws (c). Tighten with a screwdriver.
11. Attach the canopy (C) to the mounting plate (A) using the ring (D) and fully tighten it.
12. Insert the 60-Watt Type A bulbs (I) into threaded sockets. Insert the diffuser (H) into the large shade (G). The diffuser will lie flat at the bottom of shade.
13. Restore power to the junction box and test fixture. Installation is complete.

CARE INSTRUCTIONS:

Do not use polishes or cleaners on the fixture.

WIPE CLEAN WITH A SOFT, DRY CLOTH.