

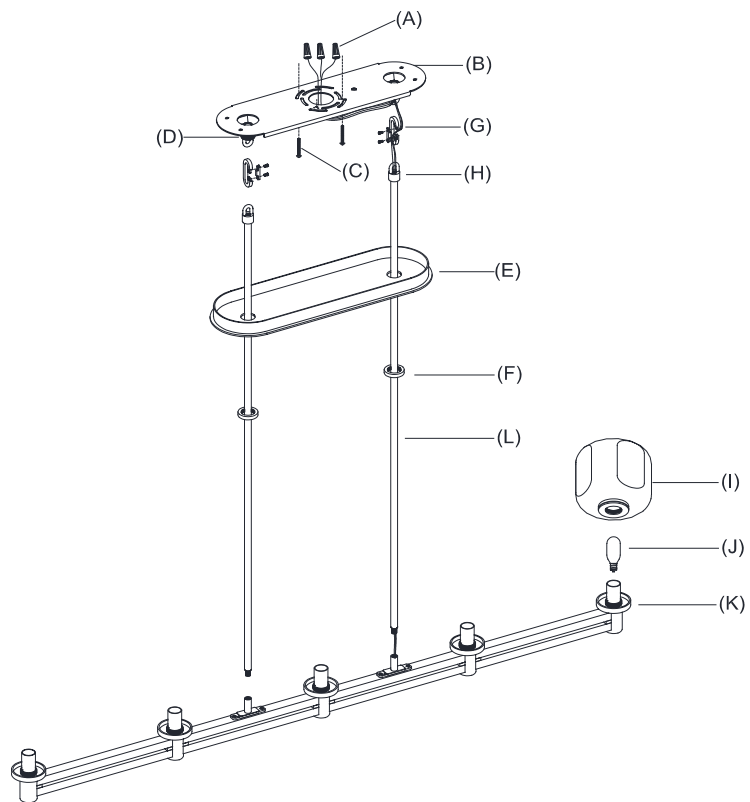
DEMARET SINGLE LINEAR CHANDELIER 54"
ASSEMBLY & INSTALLATION INSTRUCTIONS
ENGLISH

DEMARET SINGLE LINEAR CHANDELIER 54" ENGLISH

DEMARET SINGLE LINEAR CHANDELIER 54"

PARTS INCLUDED

- (A) Wire Nuts (3)
- (B) Mounting Plate (1)
- (C) Mounting Screws (2)
- (D) Mounting Loops (2)
- (E) Canopy (1)
- (F) Canopy Rings (2)
- (G) Carabiners (2)
- (H) Hanging Loops (2)
- (I) Shades (5)
- (J) Bulbs (5)
- (K) Shade Holders (5)
- (L) Hanging Rods (2)



DEMARET SINGLE LINEAR CHANDELIER 54" ENGLISH

IMPORTANT: PLEASE READ

PLEASE FOLLOW THE ASSEMBLY INSTRUCTIONS CLOSELY. IMPROPER ASSEMBLY OR INSTALLATION CAN RESULT IN PERSONAL OR PROPERTY DAMAGE. MOUNTING HARDWARE HAS BEEN PROVIDED FOR MOUNTING TO A WOODEN STRUCTURAL BEAM. UNIQUE OR ALTERNATIVE INSTALLATION TYPES MAY REQUIRE DIFFERENT MOUNTING HARDWARE, WHICH HAS NOT BEEN INCLUDED. ALWAYS CONSULT WITH A LICENSED ELECTRICIAN BEFORE INSTALLATION.

INSTALLATION BY A LICENSED ELECTRICIAN IS STRONGLY RECOMMENDED.

IMPORTANT SAFETY FEATURES

BULBS

This fixture has been rated for up to five (5) 40-watt maximum Type T lightbulbs or five (5) 5.5-SBLED lightbulbs. To avoid the risk of fire, do not exceed the recommended wattage.

VAULTED-CEILING COMPATIBILITY

This fixture is vaulted-ceiling compatible, up to a maximum ceiling slope of 20 degrees.

DIMMER-SWITCH COMPATIBILITY

This fixture is dimmer-switch compatible, and may only be used with a forward-phase dimmer switch.

CEILING REINFORCEMENT

Fixtures weighing 50 lbs or more will require additional reinforcement above the ceiling where they are to be installed.



WARNING: This product can expose you to lead, which is known to the State of California to cause cancer and birth defects or other reproductive harm. For more information, go to www.P65Warnings.ca.gov.

WARNINGS

All wires are connected. When unpacking, be careful not to pull wires, as damage may result. Do not connect electricity until the fixture is fully assembled. To reduce the risk of fire, electrical shock, or personal injury, always turn off fixture and allow it to cool prior to replacing the lightbulb. Do not touch or look directly at the bulb when fixture is illuminated. Keep flammable materials away from lit bulb.

WARNING: STRANGULATION HAZARD

Keep cord at least 3 feet away from cribs, bassinets, and toddler beds. Keep out of reach of children under 3 years of age.

THIS PRODUCT IS NOT A TOY AND HAS NO PLAY VALUE.

DEMARET SINGLE LINEAR CHANDELIER 54" ENGLISH

ASSEMBLY AND INSTALLATION

SHUT OFF THE MAIN ELECTRICAL SUPPLY FROM THE FUSE BOX OR CIRCUIT BREAKER PANEL.

1. Carefully remove all parts from the box and remove all plastic coverings.
2. Remove Mounting Plate (B) from Canopy (E) by removing Canopy Rings (F).
3. Attach Mounting Plate (B) to the ceiling outlet box and secure with Mounting Screws (C) or other proper fasteners from your local hardware store. NOTE: THE MOUNTING PLATE MUST BE SECURED TO A STRUCTURAL MEMBER OF THE BUILDING, INDEPENDENT OF THE OUTLET BOX.
4. Feed wires through Hanging Loops (L), then connect Hanging Loops (L) to the fixture body.
5. Slide Canopy Ring (F) and Canopy (E) down on Hanging Loops (L). NOTE: Slide components down slowly to avoid damage.
6. Connect Hanging Loops (H) to Mounting Loops (D) using Carabiners (G). Tighten Carabiners (G).
7. Attach the fixture ground wire (green) to house ground wire (usually green or bare) in the J-box with the green grounding screw. Connect fixtures to corresponding house wire with a Wire Nut (A). Carefully tuck the wires back into the outlet box. CAUTION: IT IS IMPERATIVE THAT THE OUTLET BOX IN YOUR HOME IS PROPERLY GROUNDED.
8. Connect the neutral wire (white) to the neutral outlet wire (usually white) with a Wire Nut (A) and wrap the connection with electrical tape.
9. Connect the hot wire (black) to the hot outlet wire (usually black) with a Wire Nut (A) and wrap the connection with electrical tape. DO NOT REVERSE THE HOT AND NEUTRAL CONNECTIONS; OTHERWISE, SAFETY WILL BE COMPROMISED.
10. Raise Canopy (E) to the affixed Mounting Plate (B) and secure with Canopy Ring (F).
11. Insert Bulbs (J) into each of the sockets.
12. Thread Shades (I) (packed separately) onto each Shade Holder (K).
13. Restore power to outlet box and check operation of fixture.
14. Assembly is complete.

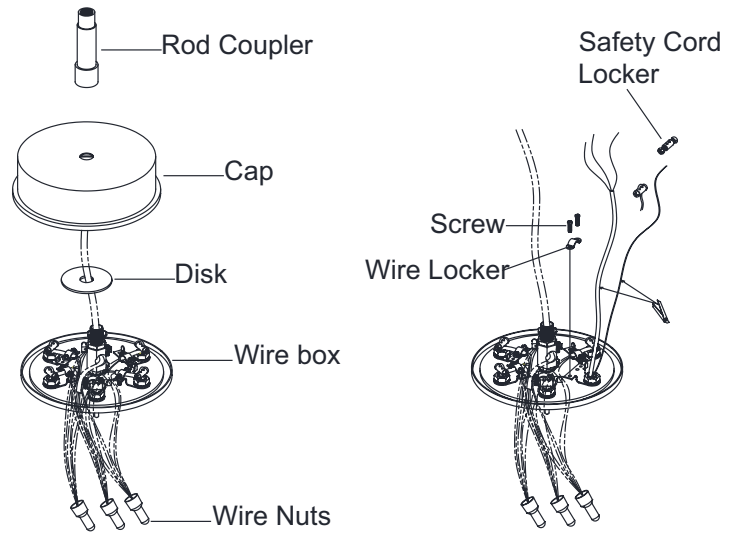
CARE INSTRUCTIONS

Do not use polishes or cleaners on the fixture. Wipe clean with a soft, dry cloth.

DEMARET SINGLE LINEAR CHANDELIER 54" ENGLISH

HEIGHT ADJUSTMENT INSTRUCTIONS

1. Un-thread the rod coupler. Remove the cap and disk from the wire box.
2. Unscrew the wire nuts. Remove the wire locker by unscrewing the screws.
3. Unscrew the safety cord locker.
4. Pull out the wires to the desired length. Adjust the length of the wires to make sure all hanging wires are the exact same length, to keep the fixture body balanced.
5. Lock the wires with wire locker.
6. Pull the Safety Cable out to make sure all Safety Cables are a bit shorter than the wires (to ensure the Safety Cable holds the fixture body weight, rather than the wires).
7. Adjust the length of the Safety Cable to make sure all cables are the exact same length, to keep the fixture body balanced.
8. Re-lock the Safety Cable with locker.
9. Cut the extra wires and re-connect them to the fixture's main line wire.
10. Reinstall the cap by tightening the rod coupler.



DEMARET SINGLE LINEAR CHANDELIER 54" ENGLISH

ATTENTION: ADJUSTING THE HANG HEIGHT

Any adjustments or alterations to the fixture, cord, or overall hang height that differ from those detailed on RH.com will void the Laboratory Listing and Approvals (UL, ETL, CSA, etc.). If the listing is voided, this means the product may no longer be safe for use as modified. RH does not recommend modifying the product.

CARE INSTRUCTIONS

Do not use polishes or cleaners on the fixture. Wipe clean with a soft, dry cloth.