

RESTORATION HARDWARE

CICERO ROUND SHADE PENDANT 30"

PARTS ENCLOSED: HARDWARE INCLUDED:

- | | |
|-----------------------------|--------------------------------|
| (A) Mounting plate (1) | (a) Plastic wire connector (2) |
| (B) Canopy (1) | (b) Green ground screw (1) |
| (C) Lock ring (1) | (c) Mounting screw (2) |
| (D) Loop (1) | (d) Allen key (1) |
| (E) Base (1) | |
| (F) Mounting plate loop (1) | |
| (G) Link (2) | |
| (H) Shade (Not included) | |
| (I) Tube 1 (1) | |
| (J) Bulb (3) | |
| (K) Tube 2 (1) | |
| (L) Extension tube (4) | |

IMPORTANT SAFETY INSTRUCTIONS:

WE RECOMMEND INSTALLATION BY A LICENSED ELECTRICIAN.
This fixture has been rated for up to (3) 100-watt maximum TYPE A bulbs.
To avoid the risk of fire, do not exceed the recommended wattage.

WARNINGS:

All wires are connected. When unpacking, be careful not to pull wires as a bad connection may result. Do not connect electricity until your lamp is fully assembled.

To reduce the risk of fire, electrical shock, or personal injury, always turn off lamp and allow it to cool prior to replacing light bulb.

Do not touch bulb when fixture is turned on or look directly at lit bulb.
Keep flammable materials away from lit bulb.

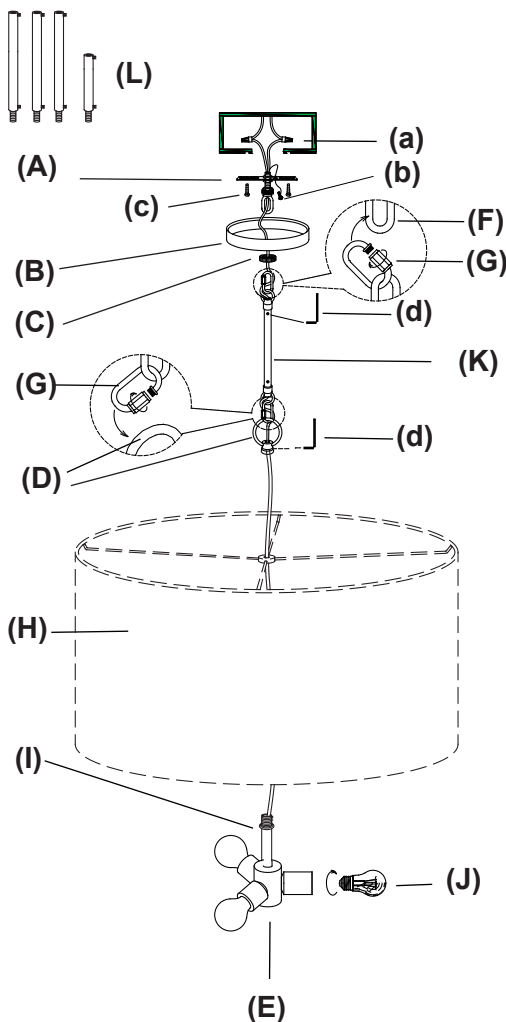
This lighting fixture contains lead, a chemical known to the State of California to cause cancer, birth defects and other reproductive harm. Wash hands after installing, handling, cleaning or otherwise touching this light fixture.

TO ASSEMBLE:

- Carefully remove all parts from the box and remove all plastic covering.
- Turn OFF power to the junction box where the lamp will be installed.
- Place the Shade(sold separately), over the Tube 1 (I). Put Loop(D) onto the Tube 1 (I) and turn clockwise until the Tube 1 (I) screw into the Loop(D) .Secure the Loop (D) by using Allen key (d) provided.
- If need, disassemble the existing suspension tube 2(K) by unscrewing the sections apart. Pull the wire back through the canopy section that will be need to be extended. Locate the Extension tubes(L) and check the actual suspension length conditions to the incremental fixture suspension length per number of extensions desired.
- Attach the ground wire from the fixture to the ground junction box wire from the outlet box (Usually green or bare wire). Or wrap the fixture's ground wire around green ground screw (b), and then fix the green ground screw into the mounting plate (A).
- Connect the hot wire to the hot junction box wire (usually black or smooth) with a plastic wire connector(a) and wrap the connection with electrical tape. Connect the neutral wire to the neutral junction box wire (usually white or ribbed) with a plastic wire connector(a) and wrap the connection with electrical tape.
- Fasten mounting plate (A) onto the ceiling outlet box using two mounting screws (c).
- Connect the Loop(D) and the lower Link (G). Connect the Mounting plate loop (F) and the upper Link (G).
- Attach the Canopy(B) to the mounting plate (A) using the Lock ring(C) and tighten it.
- Insert the 100-watt bulbs (included) into threaded sockets.
- Restore power to the junction box and test lamp fixture.
- Installation is complete.

CARE INSTRUCTIONS:

Do not use polishes or cleaners on your lamp.
JUST WIPE CLEAN WITH SOFT CLOTH.

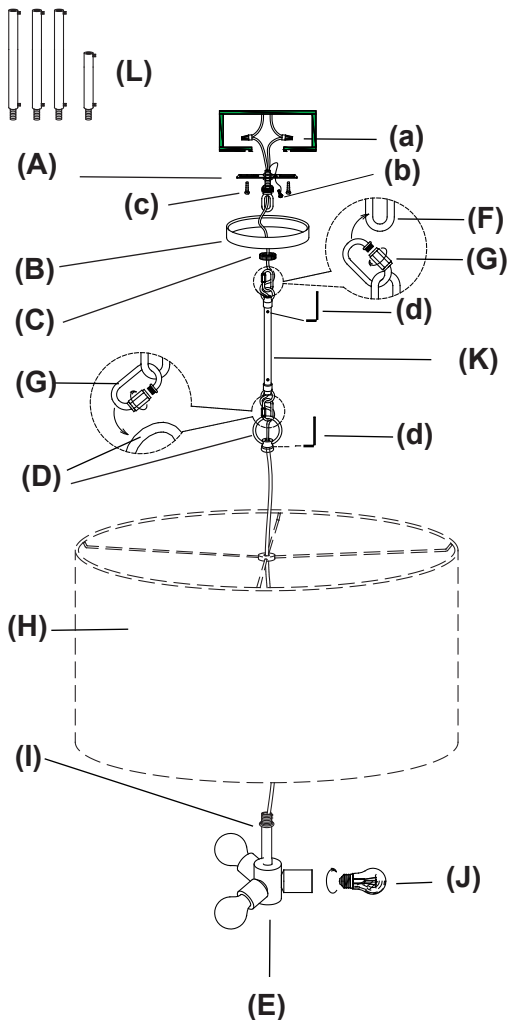


RESTORATION HARDWARE

CICERO ROUND SHADE PENDANT 36"

PARTS ENCLOSED: HARDWARE INCLUDED:

- | | |
|-----------------------------|--------------------------------|
| (A) Mounting plate (1) | (a) Plastic wire connector (2) |
| (B) Canopy (1) | (b) Green ground screw (1) |
| (C) Lock ring (1) | (c) Mounting screw (2) |
| (D) Loop (1) | (d) Allen key (1) |
| (E) Base (1) | |
| (F) Mounting plate loop (1) | |
| (G) Link (2) | |
| (H) Shade (Not included) | |
| (I) Tube 1 (1) | |
| (J) Bulb (3) | |
| (K) Tube 2 (1) | |
| (L) Extension tube (4) | |



IMPORTANT SAFETY INSTRUCTIONS:

WE RECOMMEND INSTALLATION BY A LICENSED ELECTRICIAN.
This fixture has been rated for up to (3) 100-watt maximum TYPE A bulbs.
To avoid the risk of fire, do not exceed the recommended wattage.

WARNINGS:

All wires are connected. When unpacking, be careful not to pull wires as a bad connection may result. Do not connect electricity until your lamp is fully assembled.

To reduce the risk of fire, electrical shock, or personal injury, always turn off lamp and allow it to cool prior to replacing light bulb.

Do not touch bulb when fixture is turned on or look directly at lit bulb.
Keep flammable materials away from lit bulb.

This lighting fixture contains lead, a chemical known to the State of California to cause cancer, birth defects and other reproductive harm. Wash hands after installing, handling, cleaning or otherwise touching this light fixture.

TO ASSEMBLE:

- Carefully remove all parts from the box and remove all plastic covering.
- Turn OFF power to the junction box where the lamp will be installed.
- Place the Shade(sold separately), over the Tube 1 (I). Put Loop(D) onto the Tube 1 (I) and turn clockwise until the Tube 1 (I) screw into the Loop(D) .Secure the Loop (D) by using Allen key (d) provided.
- If need, disassemble the existing suspension tube 2(K) by unscrewing the sections apart. Pull the wire back through the canopy section that will be need to be extended. Locate the Extension tubes(L) and check the actual suspension length conditions to the incremental fixture suspension length per number of extensions desired.
- Attach the ground wire from the fixture to the ground junction box wire from the outlet box (Usually green or bare wire). Or wrap the fixture's ground wire around green ground screw (b), and then fix the green ground screw into the mounting plate (A).
- Connect the hot wire to the hot junction box wire (usually black or smooth) with a plastic wire connector(a) and wrap the connection with electrical tape. Connect the neutral wire to the neutral junction box wire (usually white or ribbed) with a plastic wire connector(a) and wrap the connection with electrical tape.
- Fasten mounting plate (A) onto the ceiling outlet box using two mounting screws (c).
- Connect the Loop(D) and the lower Link (G). Connect the Mounting plate loop (F) and the upper Link (G).
- Attach the Canopy(B) to the mounting plate (A) using the Lock ring(C) and tighten it.
- Insert the 100-watt bulbs (included) into threaded sockets.
- Restore power to the junction box and test lamp fixture.
- Installation is complete.

CARE INSTRUCTIONS:

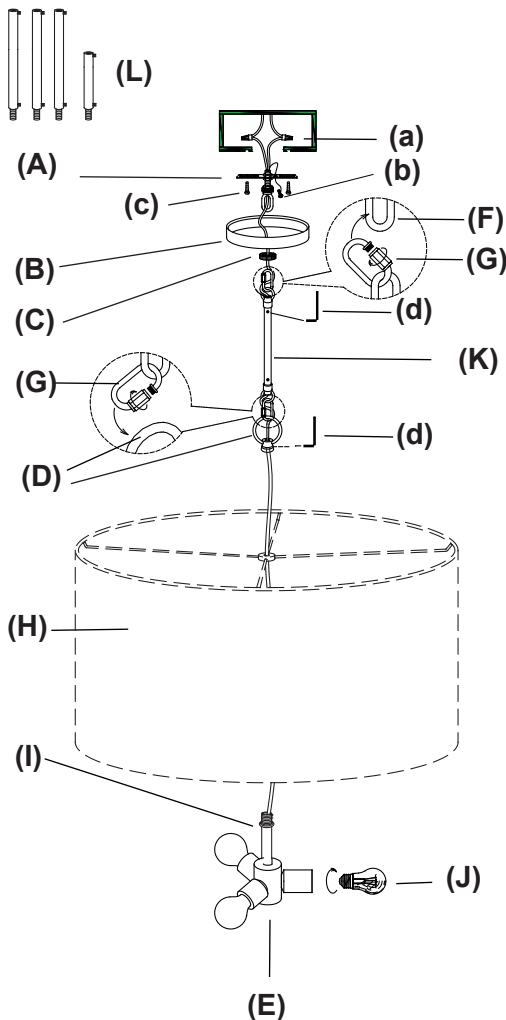
Do not use polishes or cleaners on your lamp.
JUST WIPE CLEAN WITH SOFT CLOTH.

RESTORATION HARDWARE

CICERO ROUND SHADE PENDANT 36"

PARTS ENCLOSED: HARDWARE INCLUDED:

- | | |
|-----------------------------|--------------------------------|
| (A) Mounting plate (1) | (a) Plastic wire connector (2) |
| (B) Canopy (1) | (b) Green ground screw (1) |
| (C) Lock ring (1) | (c) Mounting screw (2) |
| (D) Loop (1) | (d) Allen key (1) |
| (E) Base (1) | |
| (F) Mounting plate loop (1) | |
| (G) Link (2) | |
| (H) Shade (Not included) | |
| (I) Tube 1 (1) | |
| (J) Bulb (3) | |
| (K) Tube 2 (1) | |
| (L) Extension tube (4) | |



IMPORTANT SAFETY INSTRUCTIONS:

WE RECOMMEND INSTALLATION BY A LICENSED ELECTRICIAN.
This fixture has been rated for up to (3) 100-watt maximum TYPE A bulbs.
To avoid the risk of fire, do not exceed the recommended wattage.

WARNINGS:

All wires are connected. When unpacking, be careful not to pull wires as a bad connection may result. Do not connect electricity until your lamp is fully assembled.

To reduce the risk of fire, electrical shock, or personal injury, always turn off lamp and allow it to cool prior to replacing light bulb.

Do not touch bulb when fixture is turned on or look directly at lit bulb.
Keep flammable materials away from lit bulb.

This lighting fixture contains lead, a chemical known to the State of California to cause cancer, birth defects and other reproductive harm. Wash hands after installing, handling, cleaning or otherwise touching this light fixture.

TO ASSEMBLE:

1. Carefully remove all parts from the box and remove all plastic covering.
2. Turn OFF power to the junction box where the lamp will be installed.
3. Place the Shade(sold separately), over the Tube 1 (I). Put Loop(D) onto the Tube 1 (I) and turn clockwise until the Tube 1 (I) screw into the Loop(D) .Secure the Loop (D) by using Allen key (d) provided.
4. If need, disassemble the existing suspension tube 2(K) by unscrewing the sections apart. Pull the wire back through the canopy section that will be need to be extended. Locate the Extension tubes(L) and check the actual suspension length conditions to the incremental fixture suspension length per number of extensions desired.
5. Attach the ground wire from the fixture to the ground junction box wire from the outlet box (Usually green or bare wire). Or wrap the fixture's ground wire around green ground screw (b), and then fix the green ground screw into the mounting plate (A).
6. Connect the hot wire to the hot junction box wire (usually black or smooth) with a plastic wire connector(a) and wrap the connection with electrical tape. Connect the neutral wire to the neutral junction box wire (usually white or ribbed) with a plastic wire connector(a) and wrap the connection with electrical tape.
7. Fasten mounting plate (A) onto the ceiling outlet box using two mounting screws (c).
8. Connect the Loop(D) and the lower Link (G). Connect the Mounting plate loop (F) and the upper Link (G).
9. Attach the Canopy(B) to the mounting plate (A) using the Lock ring(C) and tighten it.
10. Insert the 100-watt bulbs (included) into threaded sockets.
11. Restore power to the junction box and test lamp fixture.
12. Installation is complete.

CARE INSTRUCTIONS:

Do not use polishes or cleaners on your lamp.
JUST WIPE CLEAN WITH SOFT CLOTH.