

Installation Instructions for Voto 8 Wall

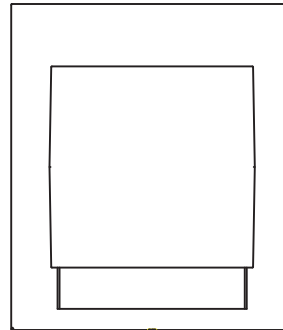
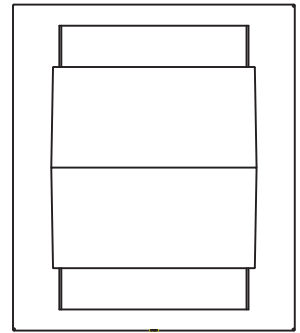
GENERAL PRODUCT INFORMATION:

These fixtures are intended to be installed utilizing NEC compliant junction boxes.



This product may be dimmed with a low-voltage electronic dimmer or a 0-10V dimmer depending on the wiring configuration.

Suitable for wet locations.

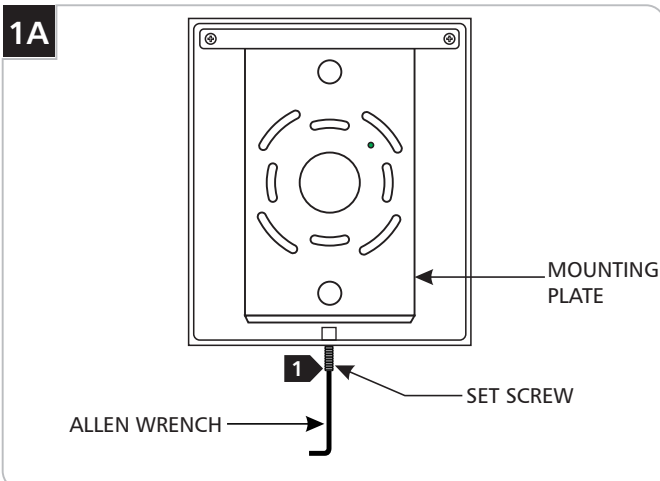


CAUTION - RISK OF FIRE

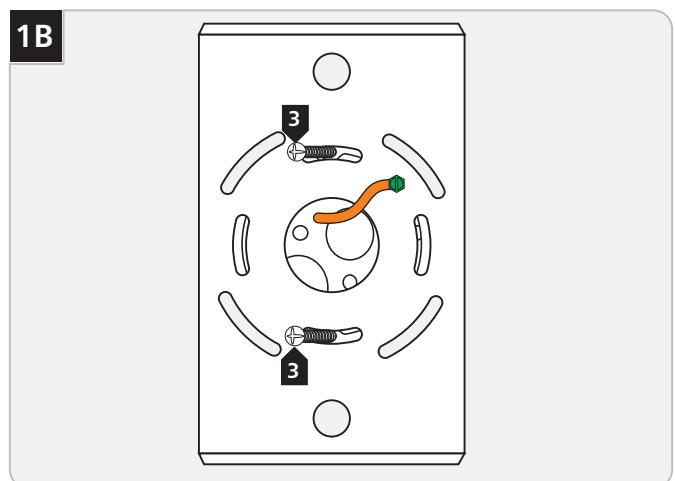
This product must be installed in accordance with the applicable installation code by a person familiar with the construction and operation of the product and the hazards involved.

Use minimum 90°C supply conductors.

Install the Fixture

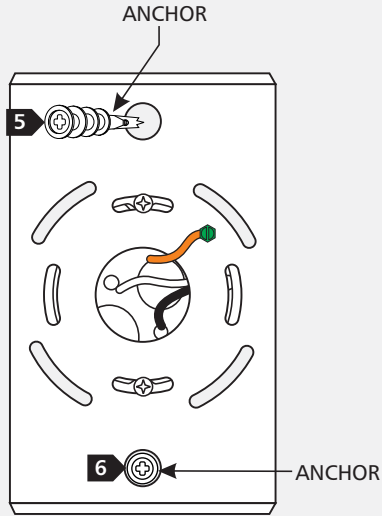


- 1 With the Allen wrench provided, back out (do not fully remove) the set screw at the base of the fixture.
- 2 Remove the mounting plate from the back of the fixture.



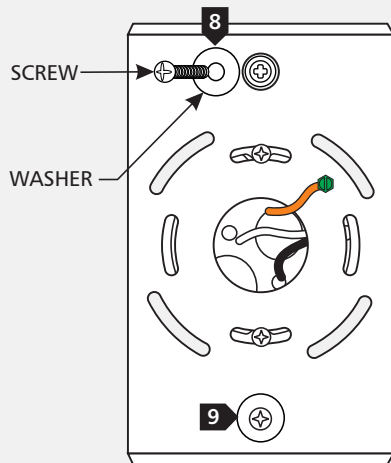
- 3 Attach the mounting plate to the electrical box using the two provided #8-32 screws.

1C



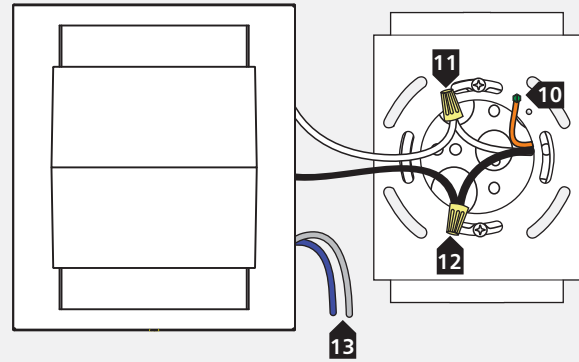
- 4** Ensure that the mounting plate is level before continuing.
- 5** Line up an anchor tip with the center of a mounting plate hole, and push the anchor into the wall up to the threads.
- 6** Screw the anchors in the rest of the way with a Phillips-head screwdriver.
- 7** Repeat steps 5-6 for the other anchor.

1D



- 8** Slide a #8 screw through a washer and screw it into an anchor.
- 9** Repeat for the other anchor to secure the mounting plate to the wall.

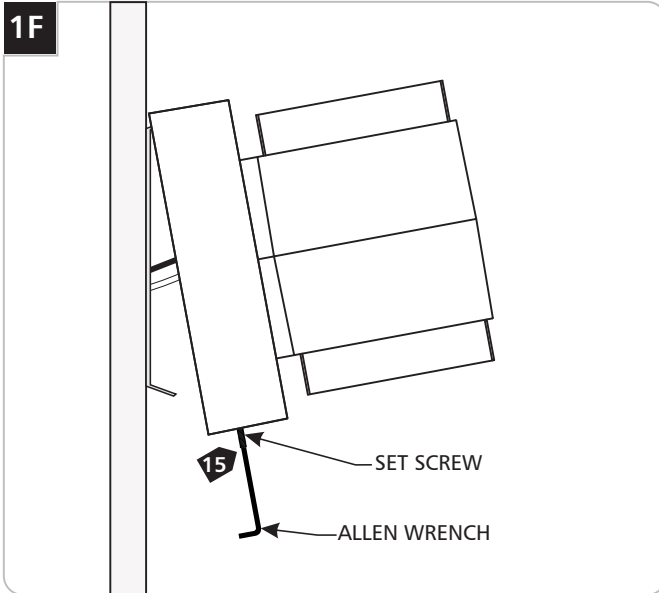
1E



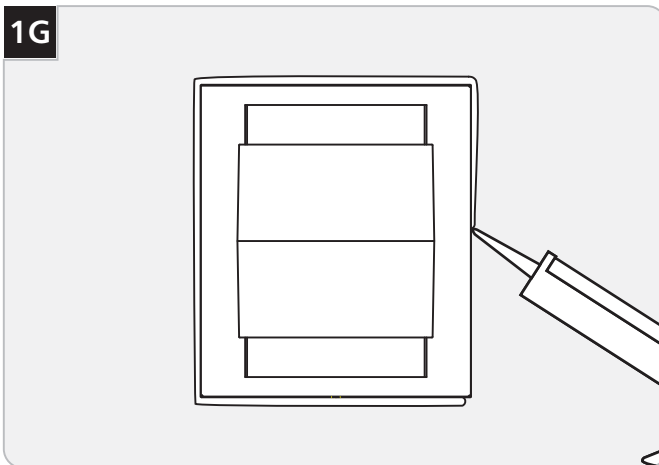
- 10** Connect the backplate wire to a suitable ground in accordance with local electrical codes.
- 11** Connect the white driver wire to the neutral power line.
- 12** Connect the black driver wire to the hot power line.
- 13** Use the gray and purple dimming wires for 0-10v dimming application (if not in use, make sure to cap these wires off).

Warning: The purple and gray wires are only used for 0-10v dimming. For all other applications, do not connect the gray and purple wires.

Note for In-Line Fuse equipped fixtures: in the case that the fixture is not operating correctly, make sure to check the fuse.



- 14** Properly place all wires and wire nut connections into the fixture.
- 15** Hook the top of the fixture to the top of the mounting plate and swing the bottom of the fixture toward the plate until it is flush with the wall.
- 16** Tighten the set screw at the bottom of the fixture.



- 17** For wet locations, caulk around the base with waterproof construction sealant.