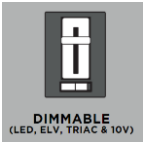
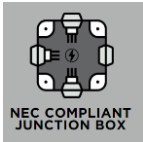


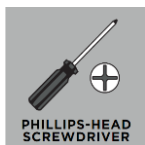
ANGOLO 6, 11, & 18 OUTDOOR WALLS

KWOWS721; KWOWS722; KWOWS723

General Product Information



Tools Required/Suggested



Safety Information

CAUTION-RISK OF FIRE

This product must be installed in accordance with the applicable installation code by a person familiar with the construction and operation of the product and the hazards involved.

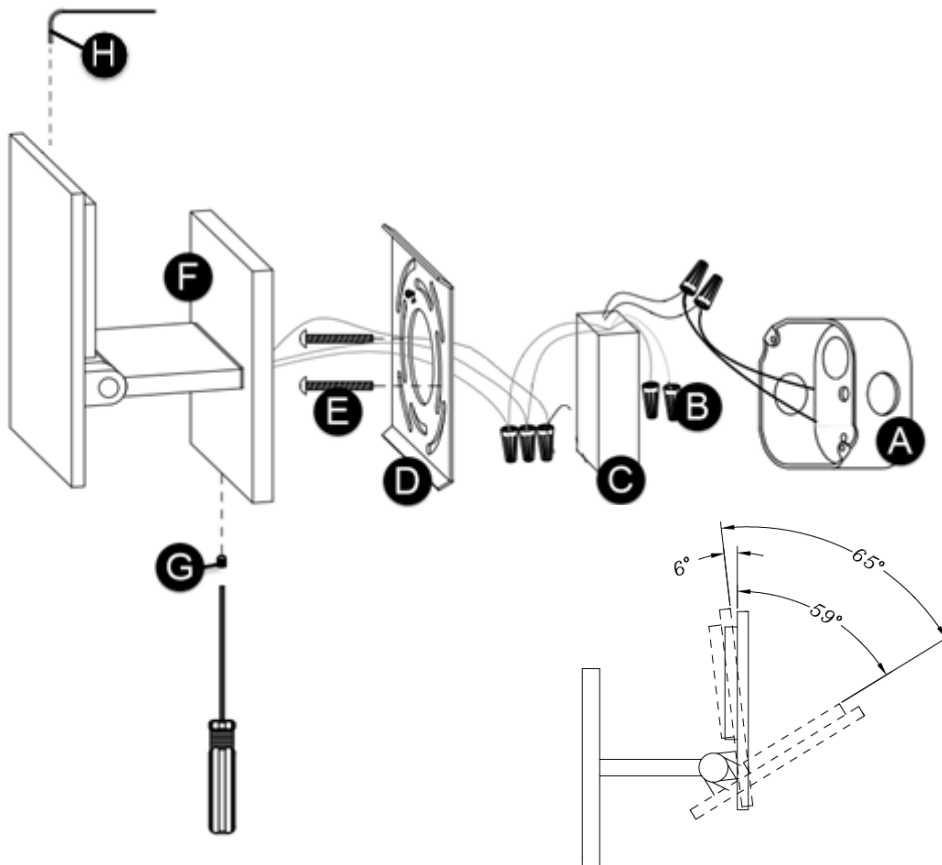
USE MINIMUM 90°C SUPPLY CONDUCTORS.



Turn off electrical current at the source before working with any lighting fixture or portable lamp.

Install and use this product in adherence with local electrical codes and regulations.





FIXTURE PARTS

- A. Junction Box
- B. Wire Nut Connections
- C. Driver
- D. Mounting Plate
- E. Mounting Screws
- F. Fixture Base
- G. Set Screw
- H. Allen Wrench

INSTRUCTIONS

I. Preparing the Fixture

1. Separate the mounting plate from the fixture base.

II. Wiring the Fixture

1. Safety first! Locate the circuit breaker and switch it off to cut off the power supply to the relevant circuits to ensure there's no electricity running through the wiring.
2. Connect the LED driver input wires to the local power line wires. Twist the bare ends of the following pairs of wires together using a wire nut to secure a connection:
 - a) Neutral driver wire (white) to neutral power line wire
 - b) Hot driver wire (black) to hot power line wire
3. For 0-10V dimming capabilities, connect the purple and pink wires to a compatible dimmer. Cap off these wires if not in use.
4. Place the driver in the junction box, ensuring the output driver wires are accessible.
5. Secure the mounting plate to the junction box using the mounting screws.
6. In accordance with local electrical codes, connect the fixture ground wire (bare copper or silver wire) to suitable ground. This may be a green ground screw on the mounting plate, which the ground wire should be tightly wrapped around, or a house wire (green or bare copper wire without insulation).
7. Twist the bare ends of the following pairs of wires together using a wire nut to secure a connection:
 - a) Negative (-/blue) fixture wire to negative (-) output driver wire.
 - b) Positive (+/red) fixture wire to positive (+) output driver wire
8. Carefully tuck all the wires behind the mounting plate.

III. Installing the Fixture

1. Place the fixture onto the mounting plate and secure it in place with the set screw.
2. For wet locations, caulk around the base of the fixture with waterproof construction sealant.
3. Use the Allen wrench and screws to tighten the front plate.
4. Adjust the fixture shade to preference (rotates as shown).