



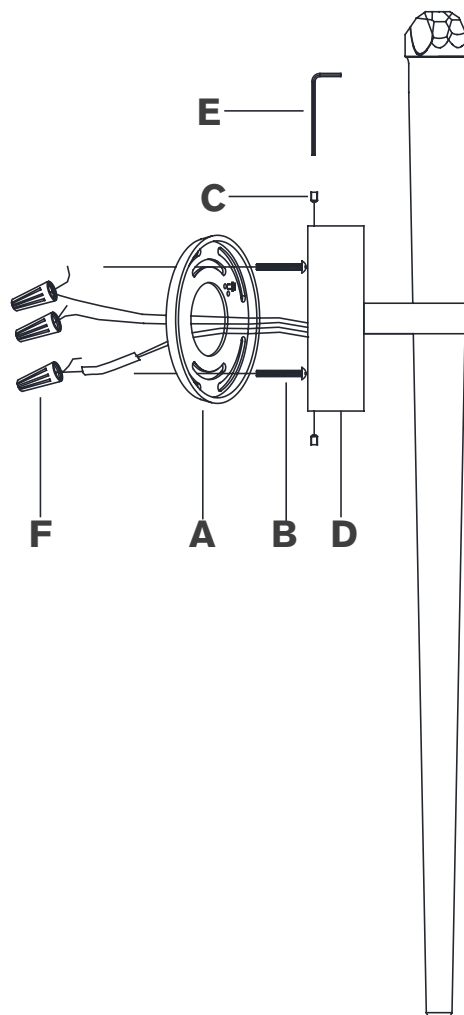
AQUITAINE TORCH SCONCE

ASSEMBLY AND INSTALLATION INSTRUCTIONS
ENGLISH

AQUITAINE TORCH SCONCE

PARTS INCLUDED

- (A) Mounting Plate (1)
- (B) Mounting Screws (2)
- (C) Set Screws (2)
- (D) Fixture Base (1)
- (E) Allen Wrench (1)
- (F) Wire Nuts (3)



IMPORTANT: PLEASE READ

PLEASE FOLLOW THE ASSEMBLY INSTRUCTIONS CLOSELY. IMPROPER ASSEMBLY OR INSTALLATION CAN RESULT IN PERSONAL OR PROPERTY DAMAGE. MOUNTING HARDWARE HAS BEEN PROVIDED FOR MOUNTING DIRECTLY TO A JUNCTION BOX. UNIQUE OR ALTERNATIVE INSTALLATION TYPES MAY REQUIRE DIFFERENT MOUNTING HARDWARE, WHICH HAS NOT BEEN INCLUDED. ALWAYS CONSULT WITH A LICENSED ELECTRICIAN BEFORE INSTALLATION.

INSTALLATION BY A LICENSED ELECTRICIAN IS STRONGLY RECOMMENDED.

IMPORTANT SAFETY FEATURES

The LED module is replaceable.

DIMMER SWITCH COMPATIBILITY

This sconce is dimmer-switch compatible and may be used with either a forward-phase or reverse-phase dimmer switch.

WARNINGS

All wires are connected. When unpacking, be careful not to pull wires, as damage may result. Do not connect electricity until the fixture is fully assembled. To reduce the risk of fire, electrical shock, or personal injury, always turn off the fixture and allow it to cool prior to replacing the LED. Do not touch or look directly at the LED when the fixture is illuminated. Keep flammable materials away from lit LED.



WARNING: This product can expose you to chemicals including lead, which is known to the State of California to cause cancer and birth defects or other reproductive harm.

For more information, go to www.P65Warnings.ca.gov.

WARNING: STRANGULATION HAZARD

Keep cord at least 3 feet away from cribs, bassinets, and toddler beds. Keep out of reach of children under 3 years of age.

THIS PRODUCT IS NOT A TOY AND HAS NO PLAY VALUE.

ASSEMBLY AND INSTALLATION**SHUT OFF THE MAIN ELECTRICAL SUPPLY FROM THE FUSE BOX OR CIRCUIT BREAKER PANEL.**

1. Carefully remove all parts from the box and remove all plastic coverings. Place on a clean, soft surface.
2. Remove Mounting Plate (A) from Fixture Base (D) by removing Set Screws (C) using Allen Wrench (E).
3. Install Mounting Plate (A) to the wall outlet box and secure with Mounting Screws (B).
4. Gently pull the wires from the wall outlet box and allow the wires to hang. Thread the wires through the center hole of Mounting Plate (A).
5. Wrap the fixture ground wire (green or green/yellow) around the green grounding screw and tighten. Connect the end of the fixture ground wire to the supply ground wire (usually green or bare copper) using a Wire Nut (F). NOTE: It is imperative that the fixture is properly grounded.
6. Connect the fixture neutral wire (white) to the supply neutral wire (usually white) using a Wire Nut (F).
7. Connect the fixture hot wire (black) to the supply hot wire (usually black) using a Wire Nut (F). CAUTION: Do not reverse the hot and neutral connections or safety will be compromised.
8. Make sure all wire connections are tight, then carefully tuck into the wall junction box.
9. Install Fixture Base (D) to Mounting Plate (A) and secure with Set Screws (C) using Allen Wrench (E).
10. Turn on power at the fuse or circuit breaker and test the fixture.
11. Assembly is complete.

CARE INSTRUCTIONS

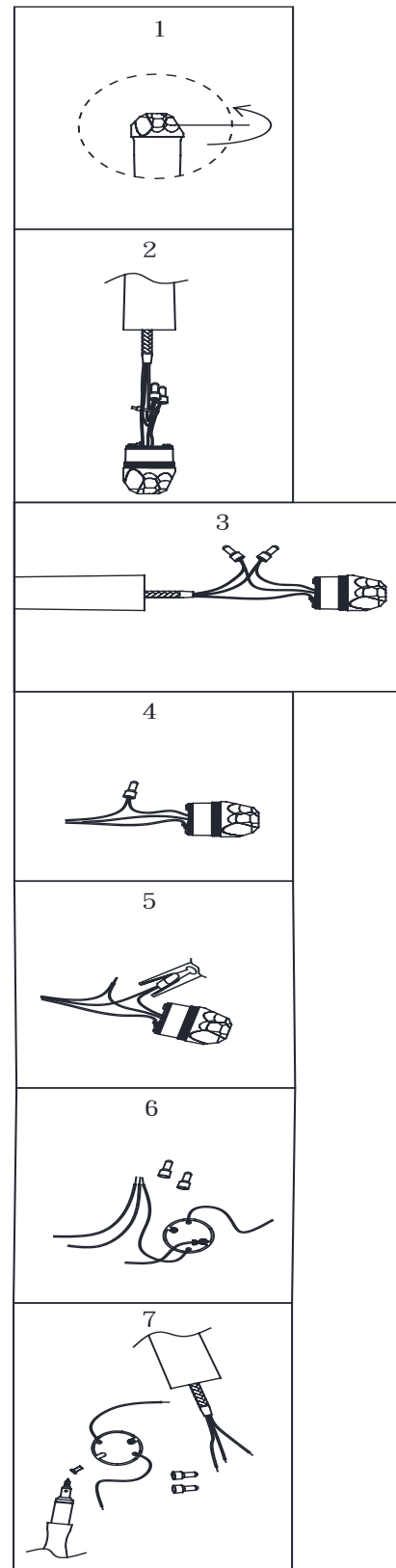
Do not use polishes or cleaners on the fixture.

Wipe clean with a soft, dry cloth.

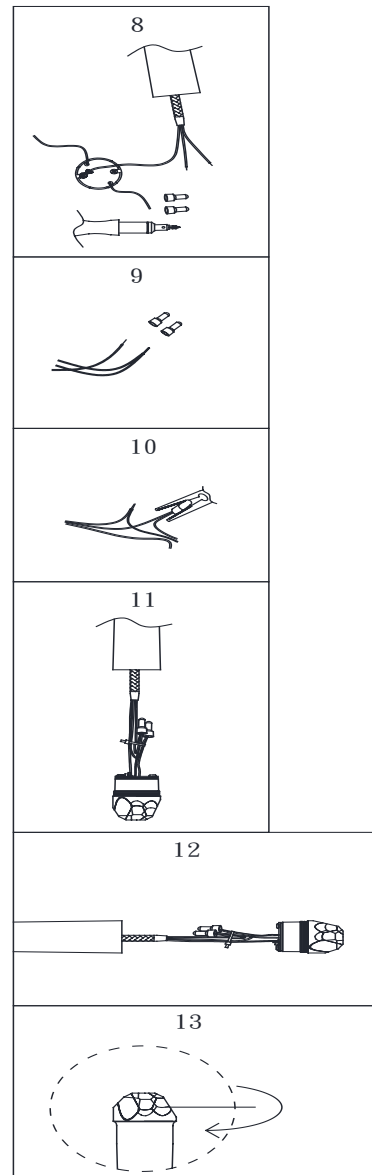
**LED TAPE REPLACEMENT
INSTRUCTIONS**

**PLEASE NOTE THAT THE LED REPLACEMENT MUST ONLY
BE PERFORMED BY A LICENSED ELECTRICIAN.**

1. Grasp the faceted crystal piece at the end of the tapered rod and turn counterclockwise to loosen. (See Diagram 1.)
2. Gently pull the crystal module out of the tapered rod, allowing the black cloth cord to pass through the other end of the rod. (See Diagram 2.)
3. Clip the small zip tie that is holding the wires in a bundle. DO NOT CUT ANY OF THE WIRES! (See Diagram 3.)
4. Separate the first wire crimp that connects the red wire from the LED module and the black wire from the main power cord. Notice that the crimp has a metal band in the center that has been squeezed into an oval shape. (See Diagram 4.)
5. Using a pair of pliers, place the crimp into the jaws of the pliers so that the oval-shaped metal band is situated, as shown in Diagram 5. Apply gentle pressure so that the metal band in the crimp becomes round instead of oval. Repeat this step for the other crimp that connects the black wire from the LED module to the white wire from the main power cord. (See Diagram 5.)
6. Identify the Phillips ground screw that connects the green ground wire to the LED module. (See Diagram 6.)
7. Remove the ground screw using a Phillips screwdriver. Set this screw aside, but do not discard. (See Diagram 7.)



8. Attach the ground wire to the replacement LED module using the Phillips ground screw from Step 7. (See Diagram 8.)
9. Twist the white wire from the power cord and the black wire from the replacement LED module. (See Diagram 9.)
10. Place a crimp connector over the twisted wires, and firmly squeeze the crimp connector using pliers. Gently pull on the crimp connector to make sure it is securely connected to the wires inside. Repeat this step to connect the red wire from the LED module to the black wire from the main power cord. (See Diagram 10.)
11. Bundle the wires together. (See Diagram 11.)
12. Secure the bundled wires using a small zip tie. Pull the zip tie until firm, but do not overtighten. Push the wires back into the tapered rod, while allowing the main power cord to slide out of the other end of the tapered rod. (See Diagram 12.)
13. Grasp the faceted crystal piece and turn clockwise to thread the LED module back onto the tapered rod. Twist until tight, but do not overtighten. (See Diagram 13.)



FCC COMPLIANCE:

NOTE: This equipment has been tested and found to comply with the limits for a Class B digital device, pursuant to Part 15 of the FCC Rules. These limits are designed to provide reasonable protection against harmful interference in a residential installation. This equipment generates, uses, and can radiate radio frequency energy and, if not installed and used in accordance with the instructions, may cause harmful interference to radio communications. However, there is no guarantee that interference will not occur in a particular installation. If this equipment does cause harmful interference to radio or television reception, which can be determined by turning the equipment off and on, the user is encouraged to try to correct the interference by one or more of the following measures:

- Reorient or relocate the receiving antenna.
- Increase the separation between the equipment and receiver.
- Connect the equipment into an outlet on a circuit different from that to which the receiver is connected.
- Consult the dealer or an experienced radio/TV technician for help.

This device complies with Part 15 of the FCC Rules. Operation is subject to the following two conditions: (1) This device may not cause harmful interference, and (2) This device must accept any interference received, including interference that may cause undesired operation. Caution: Changes or modifications not expressly approved by the party responsible for compliance could void the user's authority to operate the equipment.

IC COMPLIANCE:

This Class B digital apparatus complies with
CAN ICES-005 (B) /NMB-005(B).

RH
15 KOCH ROAD
CORTE MADERA, CA 94925
1-800-762-1005