



**VICOMTE OUTDOOR SCONCE**

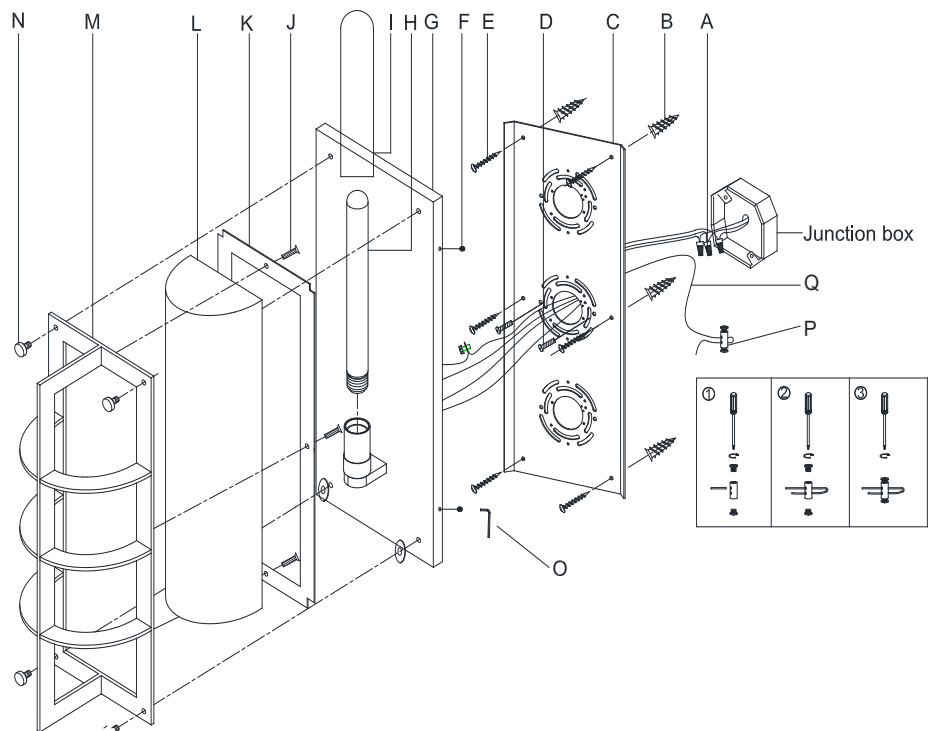
ASSEMBLY & INSTALLATION INSTRUCTIONS

**ENGLISH**

**VICOMTE OUTDOOR SCONCE**

**PARTS INCLUDED**

- (A) Wire Nuts (3)
- (B) Metal Anchors (6)
- (C) Mounting Plate (1)
- (D) Screws (2)
- (E) Mounting Screws (6)
- (F) Side Screws (4)
- (G) Fixture Base (1)
- (H) Bulb (1)
- (I) Glass Shade (1)
- (J) Set Screws (4)
- (K) Waterproof Frame (1)
- (L) Crystal Shade (1)
- (M) Outer Frame (1)
- (N) Thumbscrews (4)
- (O) Allen Wrench (1)
- (P) Cable Lock Nut (1)
- (Q) Safety Cable (1)



## IMPORTANT: PLEASE READ

### IMPORTANT SAFETY FEATURES

#### BULBS

This fixture has been rated for one (1) 40-watt maximum E26 Type T standard incandescent bulb or one (1) 5-watt E26 Type T LED bulb. To avoid the risk of fire, do not exceed the recommended wattage.

#### DIMMER SWITCH COMPATIBILITY

This fixture is dimmer-switch compatible and may only be used with a TRIAC dimmer switch.

## WARNINGS

All wires are connected. When unpacking, be careful not to pull wires, as damage may result. Do not connect electricity until the fixture is fully assembled. To reduce the risk of fire, electrical shock, or personal injury, always turn off fixture and allow it to cool prior to replacing the lightbulb. Do not touch or look directly at the bulb when fixture is illuminated. Keep flammable materials away from lit bulb.

## WARNING: STRANGULATION HAZARD

Keep cord at least 3 feet away from cribs, bassinets, and toddler beds. Keep out of reach of children under 3 years of age.

**THIS PRODUCT IS NOT A TOY AND HAS NO PLAY VALUE.**

### ASSEMBLY AND INSTALLATION

#### SHUT OFF THE MAIN ELECTRICAL SUPPLY FROM THE FUSE BOX OR CIRCUIT BREAKER PANEL.

1. Carefully remove all parts from the box and remove all plastic coverings.
2. Remove Mounting Plate (C) from Fixture Base (G) by loosening Side Screws (F) using Allen Wrench (O).
3. Drill 6 holes on the wall and ensure that the hole distance will match the holes on Mounting Plate (C).
4. Hammer Metal Anchors (B) into the wall holes.
5. Affix Mounting Plate (C) onto the wall outlet box and secure with Screws (D). Lock Metal Anchors (B) with Mounting Screws (E).
6. Join Safety Cable (Q) to the safety cable from the wall.
7. Wrap both safety cables around Cable Lock Nut (P).
8. Insert screws into both holes on Cable Lock Nut (P) and secure screws with a screwdriver (not included).
9. Push the Cable Lock Nut (P) into the wall outlet box.
10. Connect the hot wire (black) from the fixture to the hot wire from the outlet box (usually black). Fasten them together with a Wire Nut (A) and wrap the connection with electrical tape.
11. Connect the neutral wire (white) from the fixture to the neutral wire from the outlet box (usually white). DO NOT REVERSE THE HOT AND NEUTRAL CONNECTIONS OR SAFETY WILL BE COMPROMISED.
12. Connect the ground wire (bare copper) from the fixture to the ground wire from the outlet box (usually green or copper in color). IT IS IMPERATIVE THAT THE FIXTURE BE PROPERLY GROUNDED.
13. Affix Fixture Base (G) to Mounting Plate (C), then secure with Side Screws (F) using Allen Wrench (O).
14. Loosen Thumbscrews (N) from Outer Frame (M) found on Fixture Base (G), then screw Bulb (H) into the socket.
15. Place Glass Shade (I) over Bulb (H) and on top of the socket.
16. Remove Waterproof Frame (K) from Outer Frame (M) by loosening Set Screws (J).
17. Place Crystal Shade (L) into Outer Frame (M). Affix Waterproof Frame (K) to Crystal Shade (L) and screw in place with Set Screws (J).
18. Affix the combined Outer Frame (M) onto Fixture Base (G), then insert Thumbscrews (N) into the four holes on Fixture Base (G) and secure in place.
19. Use caulk to seal the surface on all sides.
20. Installation is complete. Turn on power at fuse or circuit breaker.

### CARE INSTRUCTIONS

Do not use polishes or cleaners on the fixture.

Wipe clean with a soft, dry cloth.