



19TH C. ENGLISH OPENWORK OUTDOOR SCONCE 22"

ASSEMBLY & INSTALLATION INSTRUCTIONS
UNITED STATES ENGLISH

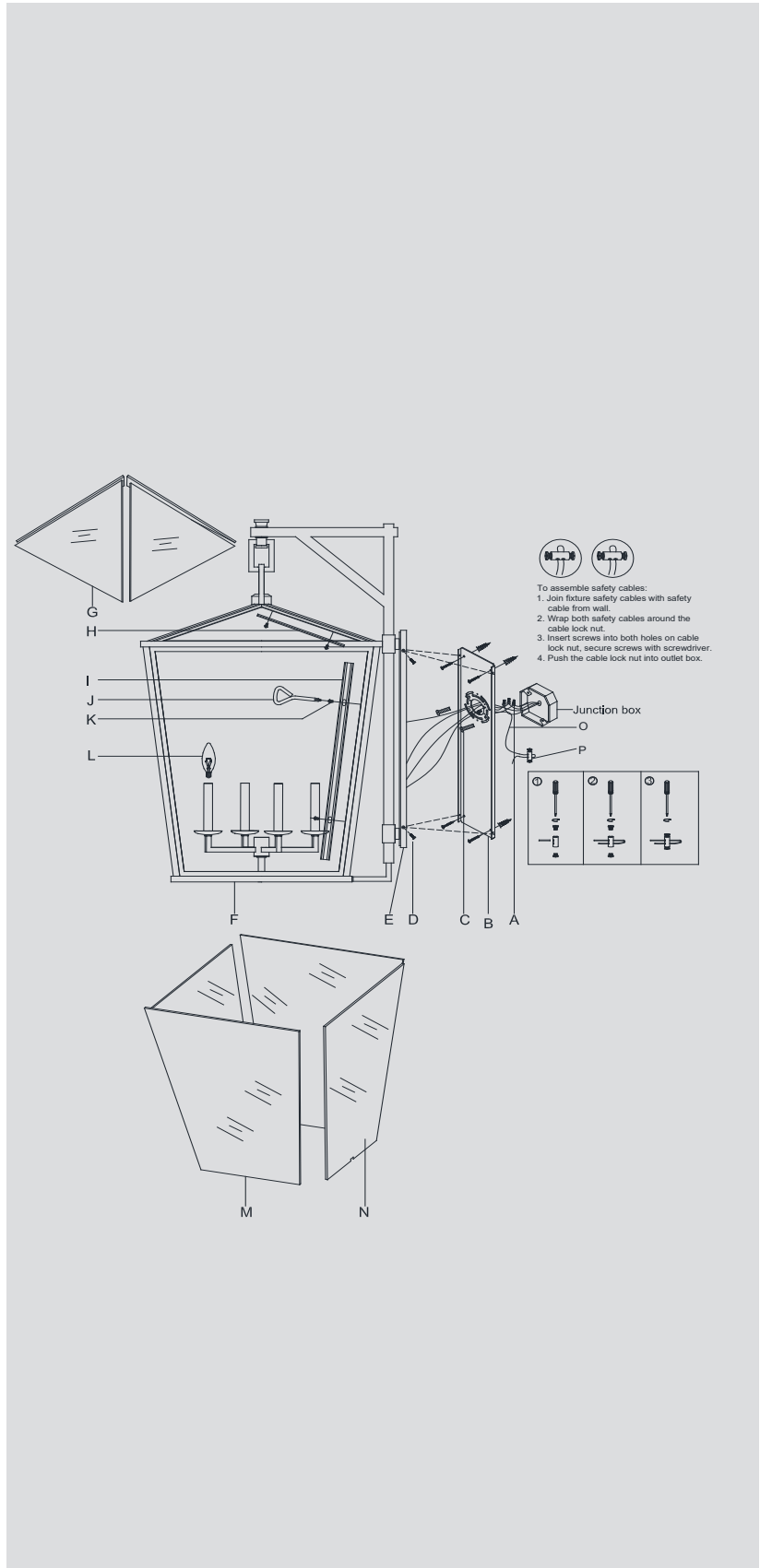
**19TH C. ENGLISH OPENWORK
OUTDOOR SCONCE 22"**

PARTS INCLUDED

- (A) Wire Nuts (4)
- (B) Mounting Plate (1)
- (C) Mounting Nuts (4)
- (D) Side Screws (4)
- (E) Backplate (1)
- (F) Frame (1)
- (G) Top Glass Panels (4)
- (H) Short Metal Bars (4)
- (I) Long Metal Bars (4)
- (J) Screwdriver (1)
- (K) Screws (1)
- (L) Bulbs (4)
- (M) Side Glass Panels (3)
- (N) Back Glass Panel (1)
- (O) Fixture Safety Cable (1)
- (P) Cable Lock Nut (1)

**TOOLS NEEDED
(IF APPLICABLE)**

- Drill
- Hammer
- Phillips Screwdriver
- Flat-head Screwdriver



IMPORTANT: PLEASE READ

PLEASE FOLLOW THE ASSEMBLY INSTRUCTIONS CLOSELY. IMPROPER ASSEMBLY OR INSTALLATION CAN RESULT IN PERSONAL OR PROPERTY DAMAGE. MOUNTING HARDWARE HAS BEEN PROVIDED FOR MOUNTING TO A WOODEN STRUCTURAL BEAM. UNIQUE OR ALTERNATIVE INSTALLATION METHODS MAY REQUIRE DIFFERENT MOUNTING HARDWARE, WHICH HAS NOT BEEN INCLUDED. ALWAYS CONSULT WITH A LICENSED ELECTRICIAN BEFORE INSTALLATION.

INSTALLATION BY A LICENSED ELECTRICIAN IS STRONGLY RECOMMENDED.

IMPORTANT SAFETY FEATURES

BULBS

This fixture has been rated for up to (4) 40-watt maximum Type B incandescent lightbulbs or up to (4) 5-watt maximum LED lightbulbs. To avoid the risk of fire, do not exceed the recommended wattage.

DIMMER-SWITCH COMPATIBILITY

This fixture is dimmer-switch compatible, and may only be used with a TRIAC dimmer switch.

WALL REINFORCEMENT

Fixtures weighing 25 lb. or more will require additional wall reinforcement behind the wall where they are to be installed.

WARNINGS

All wires are connected. When unpacking, be careful not to pull wires, as damage may result. Do not connect electricity until the fixture is fully assembled. To reduce the risk of fire, electrical shock, or personal injury, always turn off fixture and allow it to cool prior to replacing the lightbulbs. Do not touch or look directly at the bulbs when fixture is illuminated. Keep flammable materials away from lit bulbs.



WARNING: This product can expose you to lead, which is known to the State of California to cause cancer and birth defects or other reproductive harm. For more information, go to www.P65Warnings.ca.gov.

WARNING: STRANGULATION HAZARD

Keep cord at least 3 feet away from cribs, bassinets, and toddler beds. Keep out of reach of children under 3 years of age.

THIS PRODUCT IS NOT A TOY AND HAS NO PLAY VALUE.

ASSEMBLY AND INSTALLATION

SHUT OFF THE MAIN ELECTRICAL SUPPLY FROM THE FUSE BOX OR CIRCUIT BREAKER PANEL.

- Carefully remove all parts from the box and remove all plastic coverings.
- Remove Mounting Plate (B) from Backplate (E) by loosening Side Screws (D).
- Drill 4 holes into the wall and make sure the hole distance will match to the holes on Mounting Plate (B).
- Affix Mounting Plate (B) onto the wall outlet box and secure using hardware appropriate for your specific application (not included).
- Join Fixture Safety Cable (O) with the safety cable from the wall.
- Wrap both safety cables around Cable Lock Nut (P).
- Insert the screws into both holes on Cable Lock Nut (P) and secure screws using Screwdriver (J).
- Push Cable Lock Nut (P) into the wall outlet box.
- Connect the ground wire (bare) with the ground wire from the outlet box using a Wire Nut (A). If your house does not have ground wire, then attach this wire to the green grounding screw inside of the outlet box. IT IS IMPERATIVE THAT THIS FIXTURE BE GROUNDED.
- Connect the fixture neutral wire (ribbed, no markings) with the neutral wire from the outlet box using a Wire Nut (A).
- Connect the fixture hot wire (smooth, markings) with the hot wire from the outlet box using a Wire Nut (A). DO NOT REVERSE THE HOT AND NEUTRAL CONNECTIONS OR SAFETY WILL BE COMPROMISED.
- Attach Backplate (E) to Mounting Plate (B) and secure with Side Screws (D).
- Insert Bulbs (L) into each of the sockets.
- Fit Top Glass Panels (G), Back Glass Panels (N), and Side Glass Panels (M) onto Frame (F). Secure with Short Metal Bars (H), Long Metal Bars (I), and Screws (K) by using Screwdriver (J). DO NOT OVERTIGHTEN SCREWS.
- Installation is complete. Turn on power at fuse or circuit breaker.

CARE INSTRUCTIONS

Do not use polishes or cleaners on the fixture. Wipe clean with a soft, dry cloth.



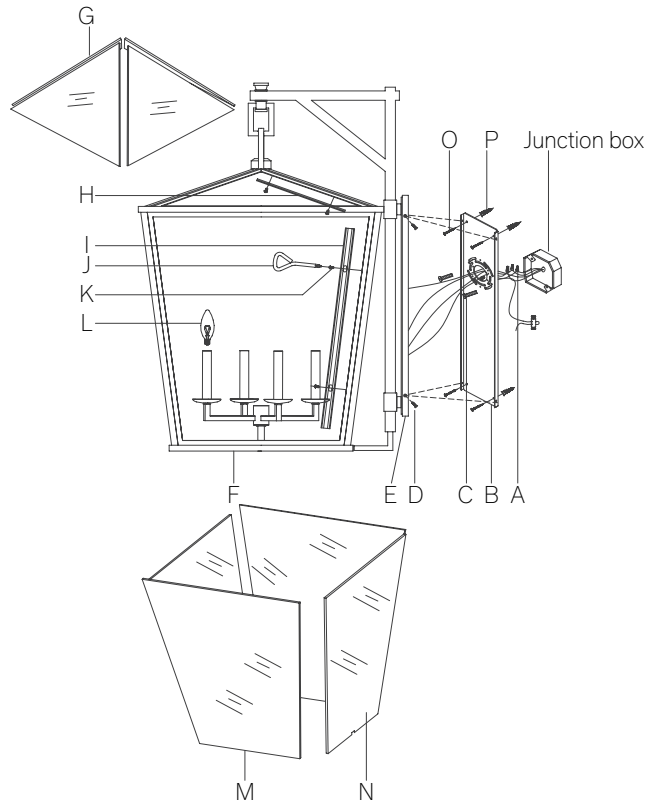
19TH C. ENGLISH OPENWORK OUTDOOR SCONCE 28"

ASSEMBLY AND INSTALLATION INSTRUCTIONS
ENGLISH

**19TH C. ENGLISH OPENWORK
OUTDOOR SCNCE 28"**

PARTS INCLUDED

- (A) Wire Nuts (3)
- (B) Mounting Plate (1)
- (C) Mounting Screws (2)
- (D) Side Screws (4)
- (E) Backplate (1)
- (F) Frame (1)
- (G) Top Glass Panels (4)
- (H) Short Metal Bars (4)
- (I) Long Metal Bars (4)
- (J) Screwdriver (1)
- (K) Screws (16)
- (L) Bulbs (4)
- (M) Side Glass Panels (3)
- (N) Back Glass Panel (1)
- (O) Wood Screws (4)
- (P) Anchors (4)



TOOLS NEEDED

(IF APPLICABLE)

Drill

Hammer

Phillips Screwdriver

Flat-Head Screwdriver

IMPORTANT: PLEASE READ

PLEASE FOLLOW THE ASSEMBLY INSTRUCTIONS CLOSELY. IMPROPER ASSEMBLY OR INSTALLATION CAN RESULT IN PERSONAL OR PROPERTY DAMAGE. MOUNTING HARDWARE HAS BEEN PROVIDED FOR MOUNTING DIRECTLY TO A JUNCTION BOX. UNIQUE OR ALTERNATIVE INSTALLATION METHODS MAY REQUIRE DIFFERENT MOUNTING HARDWARE, WHICH HAS NOT BEEN INCLUDED. ALWAYS CONSULT WITH A LICENSED ELECTRICIAN BEFORE INSTALLATION.

INSTALLATION BY A LICENSED ELECTRICIAN IS STRONGLY RECOMMENDED.

IMPORTANT SAFETY FEATURES

BULBS

This fixture has been rated for up to (4) 40-watt maximum Type B incandescent lightbulbs or up to (4) 5-watt maximum LED lightbulbs. To avoid the risk of fire, do not exceed the recommended wattage.

DIMMER SWITCH COMPATIBILITY

This fixture is dimmer-switch compatible, and may only be used with a TRIAC dimmer switch.

WALL REINFORCEMENT

Fixtures weighing 25 lbs. or more will require additional wall reinforcement behind the wall where they are to be installed.

WARNINGS

All wires are connected. When unpacking, be careful not to pull wires, as damage may result. Do not connect electricity until the fixture is fully assembled. To reduce the risk of fire, electrical shock, or personal injury, always turn off fixture and allow it to cool prior to replacing the lightbulb. Do not touch or look directly at the bulb when fixture is illuminated. Keep flammable materials away from lit bulb.



WARNING: This product can expose you to lead, which is known to the State of California to cause cancer and birth defects or other reproductive harm.

For more information, go to www.P65Warnings.ca.gov.

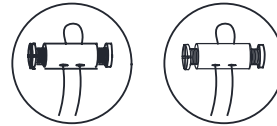
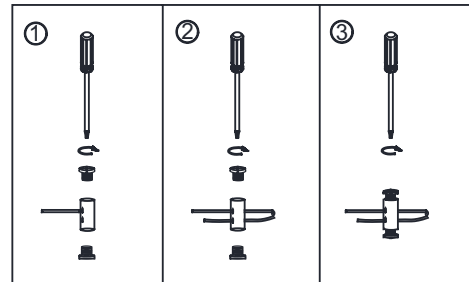
WARNING: STRANGULATION HAZARD

Keep cord at least 3 feet away from cribs, bassinets, and toddler beds. Keep out of reach of children under 3 years of age.

THIS PRODUCT IS NOT A TOY AND HAS NO PLAY VALUE.

SAFETY CABLE INSTALLATION

1. Run safety cable through junction box and around structural member of building.
2. Wrap both safety cables around the cable lock nut.
3. Insert screws into both holes on cable lock nut, secure screws with screwdriver.



ASSEMBLY AND INSTALLATION

SHUT OFF THE MAIN ELECTRICAL SUPPLY FROM THE FUSE BOX OR CIRCUIT BREAKER PANEL.

1. Carefully remove all parts from the box and remove all plastic covering.
2. Remove Mounting Plate (B) from Backplate (E) by loosening Side Screws (D).
3. Drill 4 holes on the wall and make sure their distance to each other matches the holes on the Mounting Plate (B).
4. Knock Anchors (P) into the holes on the wall.
5. Affix Mounting Plate (B) to the wall Junction Box, then secure using Mounting Screws (C). Then secure Wood Screws (O) to Anchors (P).
6. Connect the fixture ground (bare) wire with the ground wire from the Junction box using a Wire Nut (A). If your house does not have ground wire, then attach this wire to the green grounding screw inside of the Junction box. IT IS IMPERATIVE THAT THIS FIXTURE BE GROUNDED.
7. Connect the fixture neutral wire (ribbed, no markings) with the neutral wire from the Junction Box using a Wire Nut (A).
8. Connect the fixture hot (smooth edge, markings) wire with the hot wire from the Junction Box using Wire a Nut (A). DO NOT REVERSE THE HOT AND NEUTRAL CONNECTIONS OR SAFETY WILL BE COMPROMISED.
9. Attach Backplate (E) to Mounting Plate (B) and secure with Side Screws (D).
10. Insert Bulbs (L) into each of the sockets.
11. Fit Top Glass Panels (G), Back Glass Panel (N) and Side Glass Panels (M) onto Frame (F) and secure with the Short Metal Bars (H), Long Metal Bars (I) and Screws (K) by using Screwdriver (J). DO NOT OVER TIGHTEN SCREWS.
12. Installation is complete, turn on power at fuse or circuit breaker.

CARE INSTRUCTIONS

Do not use polishes or cleaners on the fixture.

Wipe clean with a soft, dry cloth.