

ALO MEDIUM PENDANT

AKPD15327

General Product Information

| | | |
|--------------------------------|----------------------------------------------------------------|---------------------------|
| | PENDANT | DAMP LOCATION SAFE |
| TWO-PERSON INSTALLATION | CLEAN WITH SOFT DRY CLOTH ONLY - NO HARSH CHEMICALS! | INDOOR USE |
| DIMMER COMPATIBLE | NEC COMPLIANT JUNCTION BOX | |

Safety Information

SAVE THESE INSTRUCTIONS!

CAUTION-RISK OF FIRE

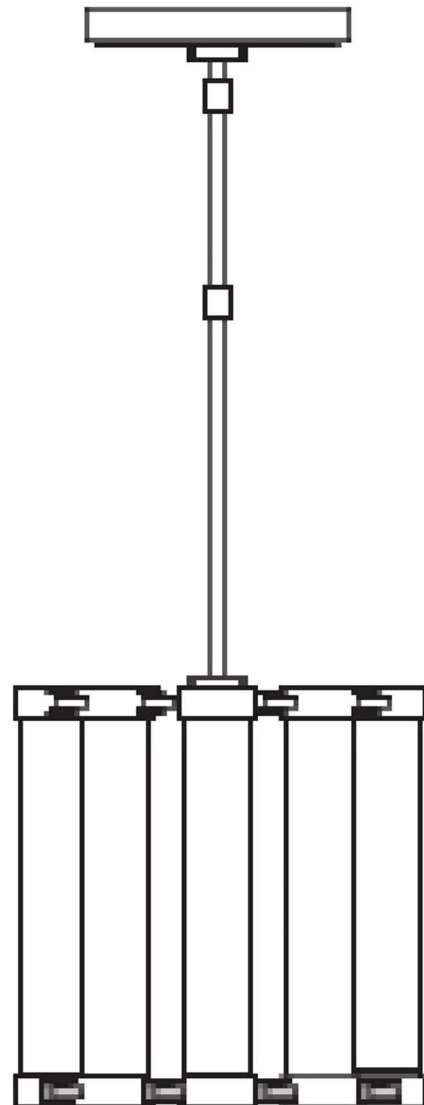
This product must be installed in accordance with the applicable installation code by a person familiar with the construction and operation of the product and the hazards involved.

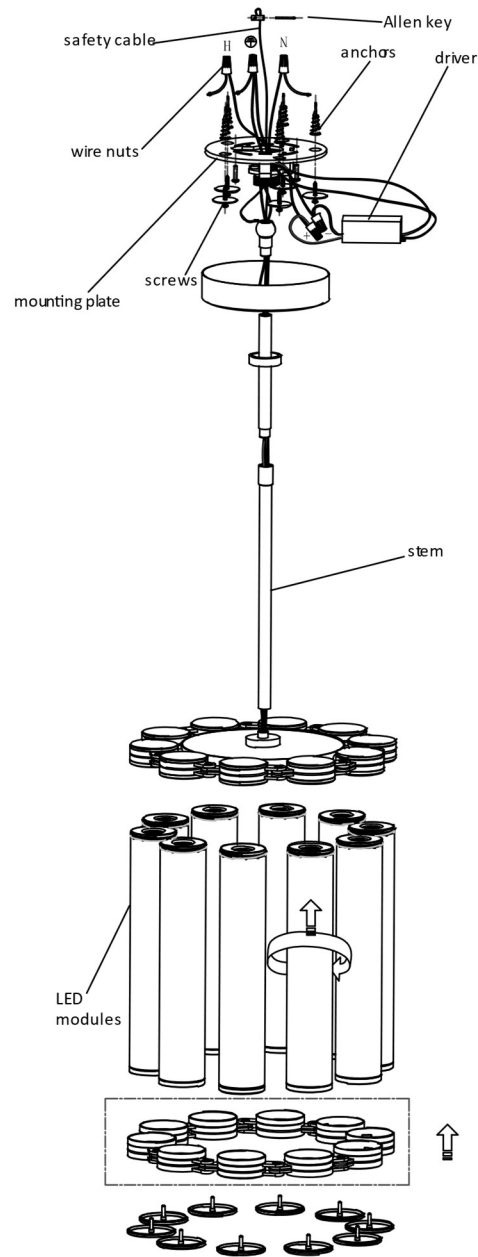
USE MINIMUM 90°C SUPPLY CONDUCTORS.



Turn off electrical current at the source before working with any lighting fixture or portable lamp.

Install and use this product in adherence with local electrical codes and regulations.





INSTRUCTIONS

I. Preparing the Fixture

Note: The fixture is heavy, so you will need a second person to help support it during installation.

1. Remove the mounting plate from the canopy.
2. Temporarily install the mounting plate to the junction box with the two #8-32 screws provided.
3. Mark the location of the anchors and remove the mounting plate.
4. Line up an anchor tip with the center of an anchor hole in the marked position and push the anchor into the ceiling, up to the threads.
5. Screw the anchor in the rest of the way with a Phillips-head screwdriver.
6. Repeat steps 3-4 for the remaining anchors.
7. Reinstall the mounting plate to the junction box.

8. Slide an anchor screw through a washer and screw it into an anchor, securing the mounting plate to the ceiling.
9. Repeat step 7 for the remaining anchor screws.
10. Flip the fixture's hardware upside down and start threading each glass-LED module onto the hub-assembly.
11. Next, take the bottom hub-assembly and place it over the installed modules.
12. Thread the end-caps onto each module to secure it.
13. Flip the fixture right side up.
14. Adjust the fixture height:
 - a) Determine the desired height of the fixture using the provided stems, collars, and half-ball/upper stem.
 - b) Feed the fixture wires through each section of the stem assembly, screwing the sections together as each piece is added.
 - c) Once the desired height is reached, screw the entire stem assembly to the top of the fixture.
15. Slide the collar nut and then the canopy onto the half-ball/stem assembly.
16. Seat the half ball into the mounting plate, ensuring that no wires are pinched.
17. Secure the safety cable to an appropriate support on the junction box or ceiling.

II. Wiring the Fixture

1. Safety first! Locate the circuit breaker and switch it off to cut the power supply to the relevant circuits, ensuring there is no electricity running through the wiring.
2. In accordance with local electrical codes, connect the fixture ground wire (bare copper or silver wire) to a suitable ground. This may be a green ground screw on the mounting plate or a house wire (green or bare copper wire without insulation).
3. Adjust the length of the wires using a wire stripper/cutter, if necessary.
4. Twist the bare ends of the following pairs of wires together using a wire nut to secure a connection:
 - a) Negative (-) fixture wire to the negative (-) output driver wire (negative to negative)
 - b) Positive (+) fixture wire to the positive (+) output driver wire (positive to positive)
 - c) Hot driver input wire (black) and hot power line wire from the junction box (hot to hot)
 - d) Neutral driver input wire (white) and neutral power line wire from the junction box (neutral to neutral)
5. For 0-10V dimming capabilities, connect the purple and pink wires to a compatible dimmer. Cap off these wires, if you are not using a dimmer.
6. Carefully tuck the driver and all the wires into the canopy.

III. Installing the Fixture

1. Next, neatly place the driver, wires and wire nut connections inside the canopy.
2. Slide the canopy up over the mounting plate and secure it in place with the collar nut to finish.
3. Turn on the power.