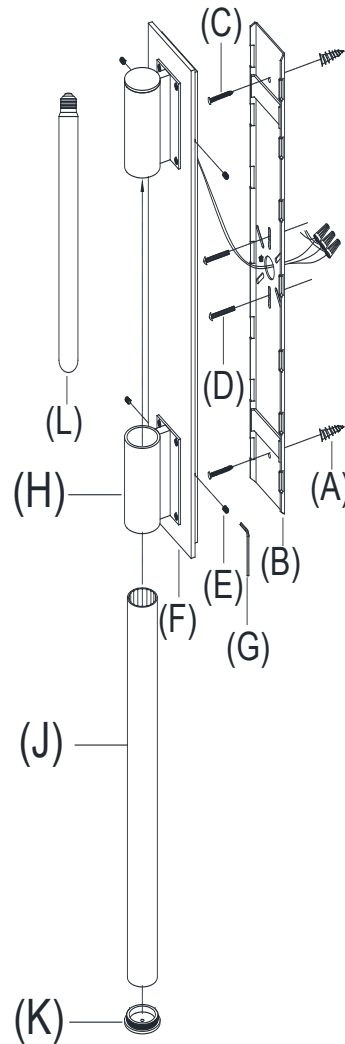


MASSENET SCONCE

PARTS ENCLOSED

- (A) Metal Anchors (2)
- (B) Mounting Plate (1)
- (C) Wall Screws (2)
- (D) Mounting Screws (2)
- (E) Base Screws (4)
- (F) Lamp Base (1)
- (G) Allen Wrench (1)
- (H) Metal Sleeve (2)
- (J) Glass Cylinder (1)
- (K) Lid (1)
- (L) Bulb (1)



MASSENET SCONCE

IMPORTANT SAFETY INSTRUCTIONS

INSTALLATION BY A LICENSED ELECTRICIAN IS STRONGLY RECOMMENDED.

This fixture has been rated for up to one (1) 40-Watt maximum Type T bulb (included) or one (1) 9-Watt compact fluorescent light (not included). To avoid the risk of fire, do not exceed the recommended wattage.

WARNINGS

All wires are connected. When unpacking, be careful not to pull wires, as a bad connection may result. Do not connect electricity until your fixture is fully assembled. To reduce the risk of fire, electrical shock, or personal injury, always turn off fixture and allow it to cool prior to replacing the lightbulb. Do not touch or look directly at the bulb when fixture is illuminated. Keep flammable materials away from lit bulb.



WARNING: This product can expose you to lead, which is known to the State of California to cause cancer and birth defects or other reproductive harm. For more information, go to www.P65Warnings.ca.gov.

THIS IS NOT A TOY AND THE PRODUCT HAS NO PLAY VALUE.



WARNING: STRANGULATION HAZARD

Keep cord at least 3 ft away from cribs, bassinets, and toddler beds. Keep out of reach of children under 3.

ASSEMBLY & INSTALLATION

SHUT OFF THE MAIN ELECTRICAL SUPPLY FROM THE FUSE BOX OR CIRCUIT BREAKER PANEL.

1. Carefully remove all parts from the box.
2. Remove Mounting Plate (B) from the Lamp Base (F) by unscrewing Base Screws (E) with Allen Wrench (G).
3. Place Mounting Plate (B) at desired location on the wall. Mark center point locations for two hanging holes with a pencil. Remove Mounting Plate (B).
4. Drill small holes on each point location on the wall; each hole should be large enough to accommodate a Metal Anchor (A). Push Metal Anchors (A) into the holes in the wall.
5. Place Mounting Plate (B) over the wall outlet. Align the holes and secure by inserting Wall Screws (C) to the Metal Anchors (A) and mounting screws (D) to the wall outlet box.
6. Wrap both fixture safety cable and ceiling safety cable to lock nut and secure with nuts as shown. See illustration.
7. Attach the fixture ground wire (GREEN) to the ground wire from the outlet box (usually green) with a metal wire connector and wrap the connection with electrical tape.
8. Connect the hot wire (BLACK) to the hot outlet box wire (usually black) with a plastic wire connector and wrap the connection with electrical tape.
9. Connect the neutral wire (WHITE) to the neutral outlet wire (usually white) with a plastic wire connector and wrap the connection with electrical tape.
10. Attach Fixture Base (F) to the affixed Mounting Plate (B) and secure with Base Screws (E). Tighten with Allen Wrench (G).
11. Insert Bulb (L) into the socket.
12. Insert Glass Cylinder (J) from bottom end of Metal Sleeve (H) and secure by threading Lid (K) to the bottom end of Metal Sleeve (H).
13. Restore power to outlet box and check operation of fixture.
14. Assembly is complete.

CARE INSTRUCTIONS

Do not use polishes or cleaners on your lamp. Just wipe clean with a soft cloth.