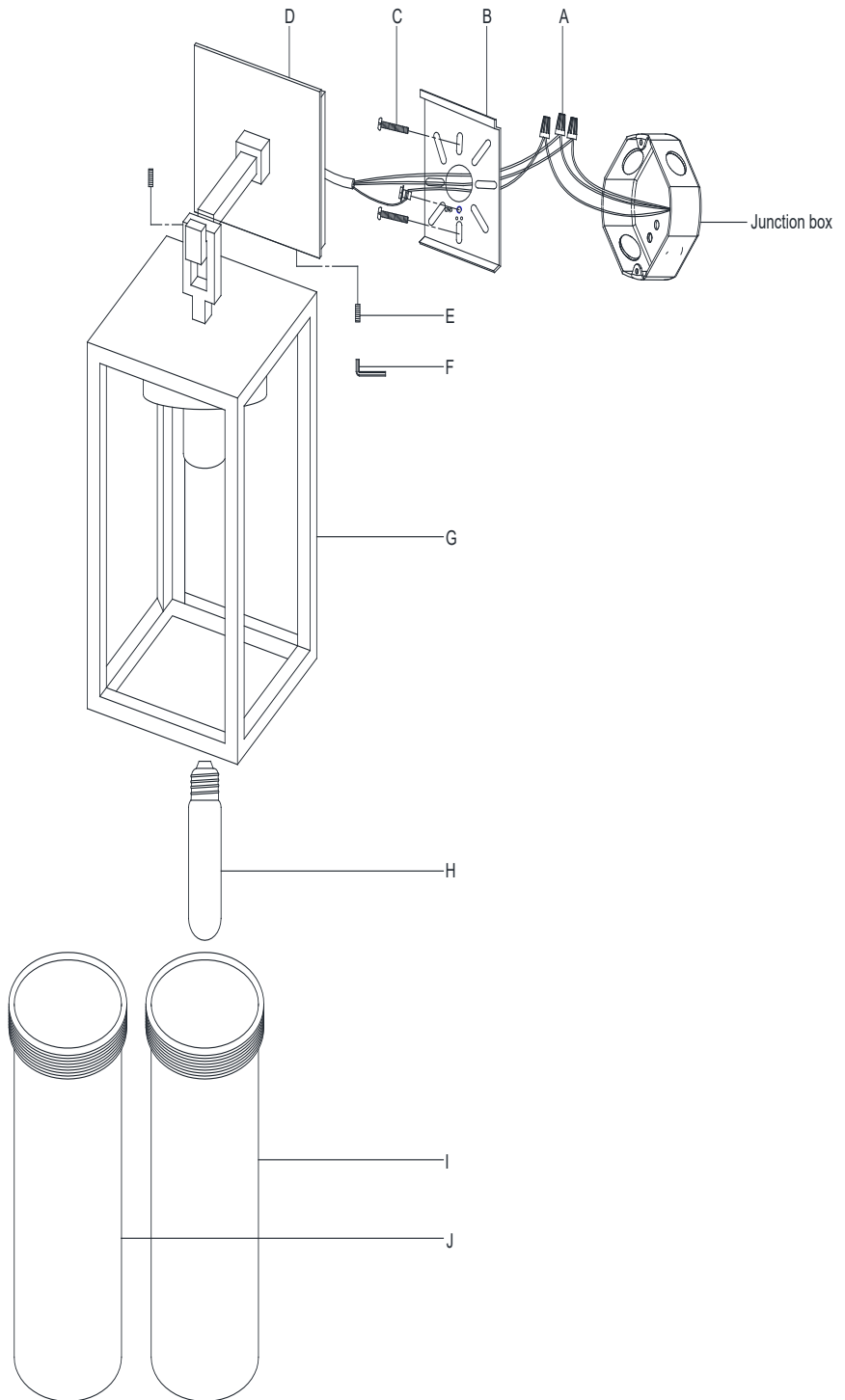


PETRUS SQUARE SCONCE

PARTS ENCLOSED

- (A) Wire Nuts (3)
- (B) Mounting Plate (1)
- (C) Mounting Screws (2)
- (D) Back Plate (1)
- (E) Side Screws (3)
- (F) Hex Wrench (1)
- (G) Outer Frame (1)
- (H) Bulb (1)
- (I) Clear Glass Shade (1)
- (J) Frosted Glass Shade (1)



PETRUS SQUARE SCONCE

IMPORTANT SAFETY INSTRUCTIONS

INSTALLATION BY A LICENSED ELECTRICIAN IS STRONGLY RECOMMENDED.

This fixture has been rated for up to one (1) 40-watt maximum E26 Type T standard incandescent lightbulb (included) or one (1) 5-watt E26 Type T LED lightbulb (not included). To avoid the risk of fire, do not exceed the recommended wattage.

OUTDOOR INSTALLATION

Fixture must be mounted 4 feet from the ground. Use silicone caulk to seal the fixture where the mounting plate meets the surface to prevent water from seeping in.

WARNINGS

All wires are connected. When unpacking, be careful not to pull wires, as a bad connection may result. Do not connect electricity until your fixture is fully assembled. To reduce the risk of fire, electrical shock, or personal injury, always turn off fixture and allow it to cool prior to replacing the lightbulb. Do not touch or look directly at the bulb when fixture is illuminated. Keep flammable materials away from lit bulb.



WARNING: This product can expose you to lead, which is known to the State of California to cause cancer and birth defects or other reproductive harm. For more information, go to www.P65Warnings.ca.gov.

THIS PRODUCT IS NOT A TOY AND HAS NO PLAY VALUE.



WARNING: STRANGULATION HAZARD

Keep cord at least 3 feet away from cribs, bassinets, and toddler beds. Keep out of reach of children under 3 years of age.

ASSEMBLY & INSTALLATION

SHUT OFF THE MAIN ELECTRICAL SUPPLY FROM THE FUSE BOX OR CIRCUIT BREAKER PANEL.

1. Carefully remove all parts from the box and remove all plastic coverings.
2. Remove Mounting Plate (B) from Back Plate (D) by loosening Side Screws (E) using Hex Wrench (F).
3. Affix Mounting Plate (B) onto the wall outlet box and secure with Mounting Screws (C).
4. Connect the hot wire (black) from the fixture to the hot wire from the outlet box (usually black). Fasten them together with a Wire Nut (A) and wrap the connection with electrical tape.
5. Connect the neutral wire (white) from the fixture to the neutral wire from the outlet box (usually white). DO NOT REVERSE THE HOT AND NEUTRAL CONNECTIONS OR SAFETY WILL BE COMPROMISED.
6. Connect the ground wire (bare copper) from the fixture to the ground wire from the outlet box (usually green or copper in color). IT IS IMPERATIVE THAT THIS FIXTURE BE GROUNDED.
7. Affix Back Plate (D) to Mounting Plate (B), then secure with both Side Screws (E) using Hex Wrench (F).
8. Insert Bulb (H) into the socket.
9. Insert Clear Glass Shade (I) or Frosted Glass Shade (J) into Outer Frame (G).
10. Installation is complete. Turn on power at fuse or circuit breaker.

CARE INSTRUCTIONS

Do not use polishes or cleaners on the fixture. Wipe clean with a soft, dry cloth.