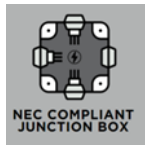
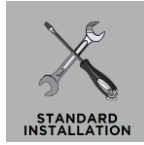


# GENERATION LIGHTING

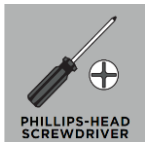
## PORTOLA LARGE & EXTRA-LARGE ARM LANTERNS

GLO1171; GLO1191

### General Product Information



### Suggested/Required Tools



### Safety Information

#### CAUTION-RISK OF FIRE

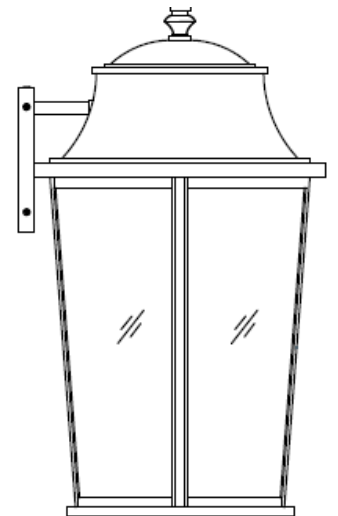
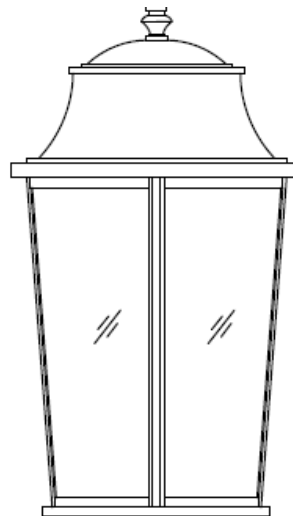
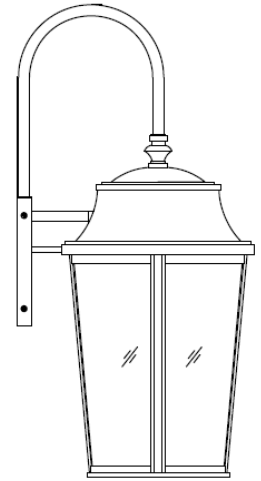
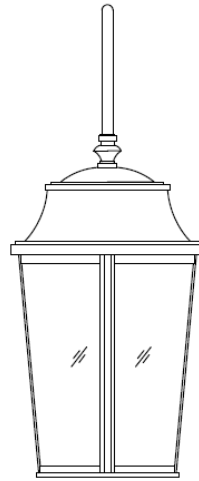
This product must be installed in accordance with the applicable installation code by a person familiar with the construction and operation of the product and the hazards involved.

**USE MINIMUM 90°C SUPPLY CONDUCTORS.**

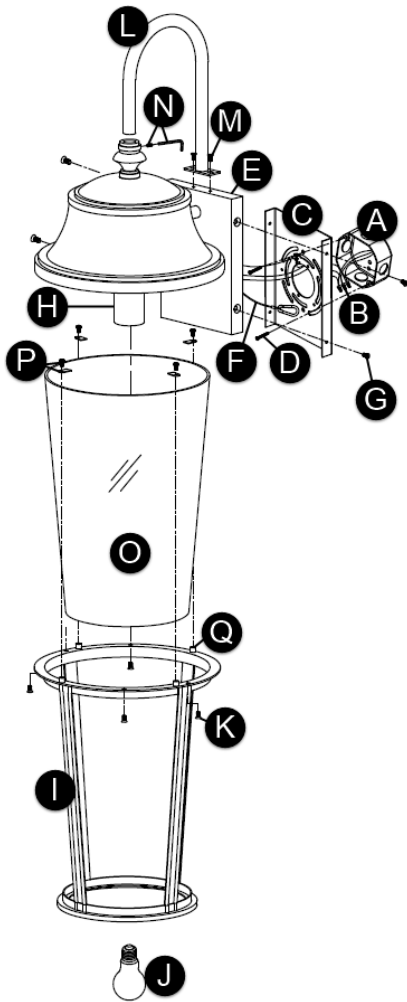


Turn off electrical current at the source before working with any lighting fixture or portable lamp.

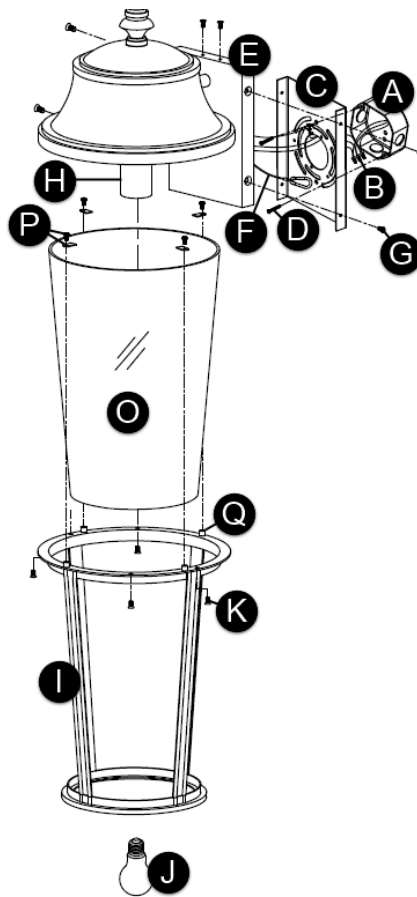
Install and use this product in adherence with local electrical codes and regulations.



### Installation with the fixture arm:



### Installation without the fixture arm:



### FIXTURE PARTS

- A. Junction Box
- B. Wire Nut Connections
- C. Mounting Plate
- D. Mounting Screws
- E. Fixture Base
- F. Steel Cable (**GLO1191 only**)
- G. Fixture Screws
- H. Socket
- I. Cage
- J. Bulb (Not Included)
- K. Cage Screws
- L. Fixture Arm (Optional)
- M. Fixture Arm Screws
- N. Allen Wrench & Screw (Optional)
- O. Glass Shade
- P. Brackets & Bracket Screws
- Q. Cap Nuts

## INSTRUCTIONS

### I. Preparing the Fixture

1. Separate the mounting plate from the fixture base by removing the fixture screws.
2. Install the mounting plate to the junction box and secure it using the mounting screws.

### II. Wiring the Fixture

1. Safety first! Locate the circuit breaker and switch it off to cut off the power supply to the relevant circuits, ensuring that there is no electricity running through the wiring.
2. **GLO1191 only:** Install the steel cable to the mounting plate.
3. In accordance with local electrical codes, connect the fixture ground wire (bare copper or silver wire) to a suitable ground. This may be a green ground screw on the mounting plate, which the ground wire should be tightly wrapped around, or a house wire (green or bare copper wire without insulation).
4. Twist the bare ends of the following pairs of wires together using a wire nut to secure a connection:
  - a) Hot fixture wire (black) and hot power line wire from the junction box (hot to hot)
  - b) Neutral fixture wire (white) and neutral power line wire from the junction box (neutral to neutral)
5. Carefully tuck all the wires behind the mounting plate into the junction box.

### III. Installing the Fixture

1. To install with the fixture arm, first install the short end of the arm to the top of the fixture base and secure it with the Allen screw using the Allen wrench, then secure the long end of the arm to the fixture base with the fixture arm screws. To install without the fixture arm, install the fixture arm screws onto the screw holes on the top of the backplate.
2. Mount the fixture base onto the mounting plate and secure it in place with the fixture screws.
3. Screw the bulb (not included) into the socket. Refer to the socket label for max wattage information.
4. Place the glass shade into the cage and secure it in place with the brackets and bracket screws.
5. Determine the preferred direction option of the cage assembly, with either one cage bar or two cage bars facing the front.
6. Install the cage assembly to the fixture base with the cage screws.
7. For wet locations, caulk around the base of the fixture with waterproof construction sealant.