



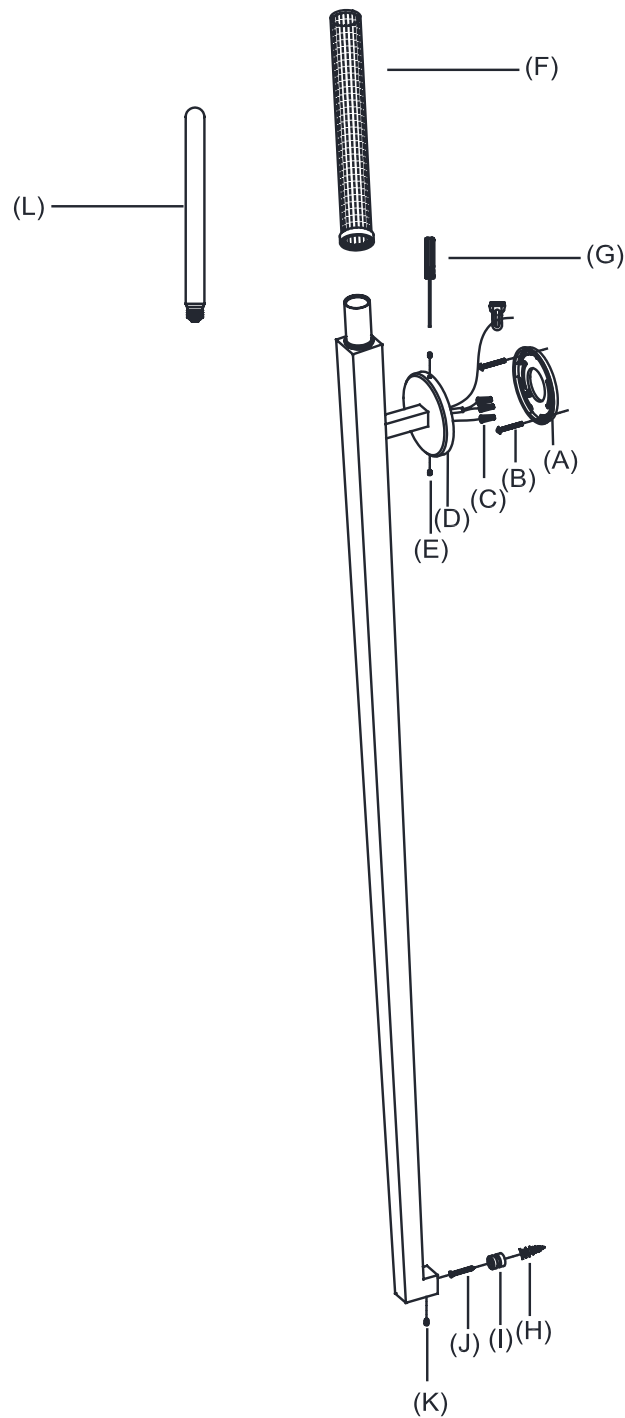
CANNELE TORCH SCONCE

ASSEMBLY AND INSTALLATION INSTRUCTIONS
ENGLISH

CANNELE TORCH SCONCE

PARTS INCLUDED

- (A) Mounting Plate (1)
- (B) Mounting Screws (2)
- (C) Wire Nuts (3)
- (D) Backplate (1)
- (E) Set Screws (2)
- (F) Shade (1)
- (G) Screwdriver (1)
- (H) Metal Anchor (1)
- (I) Connector (1)
- (J) Wood Screw (1)
- (K) Set Screw (1)
- (L) Bulb (1)



IMPORTANT: PLEASE READ

PLEASE FOLLOW THE ASSEMBLY INSTRUCTIONS CLOSELY. IMPROPER ASSEMBLY OR INSTALLATION CAN RESULT IN PERSONAL OR PROPERTY DAMAGE. MOUNTING HARDWARE HAS BEEN PROVIDED FOR MOUNTING DIRECTLY TO A JUNCTION BOX. UNIQUE OR ALTERNATIVE INSTALLATION METHODS MAY REQUIRE DIFFERENT MOUNTING HARDWARE, WHICH HAS NOT BEEN INCLUDED. ALWAYS CONSULT WITH A LICENSED ELECTRICIAN BEFORE INSTALLATION.

INSTALLATION BY A LICENSED ELECTRICIAN IS STRONGLY RECOMMENDED.

IMPORTANT SAFETY FEATURES

BULBS

This fixture has been rated for one (1) 60-watt maximum Type T incandescent lightbulb or one (1) 9-watt maximum LED lightbulb. To avoid the risk of fire, do not exceed the recommended wattage.

DIMMER SWITCH COMPATIBILITY

This fixture is dimmer-switch compatible and may be used with either a forward-phase or reverse-phase dimmer switch.

WARNINGS

All wires are connected. When unpacking, be careful not to pull wires, as damage may result. Do not connect electricity until the fixture is fully assembled. To reduce the risk of fire, electrical shock, or personal injury, always turn off fixture and allow it to cool prior to replacing the lightbulb. Do not touch or look directly at the bulb when fixture is illuminated. Keep flammable materials away from lit bulb.



WARNING: This product can expose you to chemicals including lead, which is known to the State of California to cause cancer and birth defects or other reproductive harm.

For more information, go to www.P65Warnings.ca.gov.

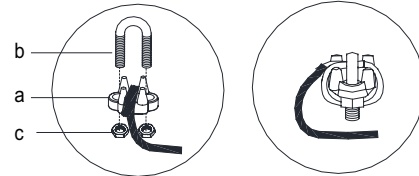
WARNING: STRANGULATION HAZARD

Keep cord at least 3 feet away from cribs, bassinets, and toddler beds. Keep out of reach of children under 3 years of age.

THIS PRODUCT IS NOT A TOY AND HAS NO PLAY VALUE.

INSTALL SAFETY CABLE:

1. Run safety cable through junction box and around structural member of building.
2. Wrap the safety cable around the saddle (a), and secure with u-bolt (b) and hex nuts (c).



ASSEMBLY AND INSTALLATION**SHUT OFF THE MAIN ELECTRICAL SUPPLY FROM
THE FUSE BOX OR CIRCUIT BREAKER PANEL.**

1. Carefully remove all parts from the box and remove all plastic coverings.
2. Remove Mounting Plate (A) from Backplate (D) by unscrewing Set Screw (E) using Screwdriver (G).
3. Install Mounting Plate (A) to the wall outlet and secure with Mounting Screws (B).
4. Mark a location for Metal Anchor (H). Drill a hole for Metal Anchor (H), then install Metal Anchor (H) into the hole.
5. Install Connector (I) to Metal Anchor (H) and secure with Wood Screw (J).
6. Connect the safety cable as shown in the diagram on the previous page.
7. Attach the fixture ground wire (bare copper) to the ground wire from the outlet box (usually green) with a Wire Nut (C) and wrap the connection with electrical tape.
8. Connect the hot wire (black wire) to the hot outlet box wire (usually black) with a Wire Nut (C) and wrap the connection with electrical tape.
9. Connect the neutral wire (white wire) to the neutral outlet wire (usually white) with a Wire Nut (C) and wrap the connection with electrical tape.
10. Install Backplate (D) to Mounting Plate (A) and secure with Set Screws (E). Tighten with Screwdriver (G).
11. Install the bottom of the fixture body to Connector (I), then tighten Set Screw (K).
12. Insert Bulb (L) into the socket.
13. Install Shade (F) to the socket tube.
14. Restore power to outlet box and check operation of fixture.
15. Assembly is complete.

CARE INSTRUCTIONS

Do not use polishes or cleaners on the fixture. Wipe clean with a soft, dry cloth.