



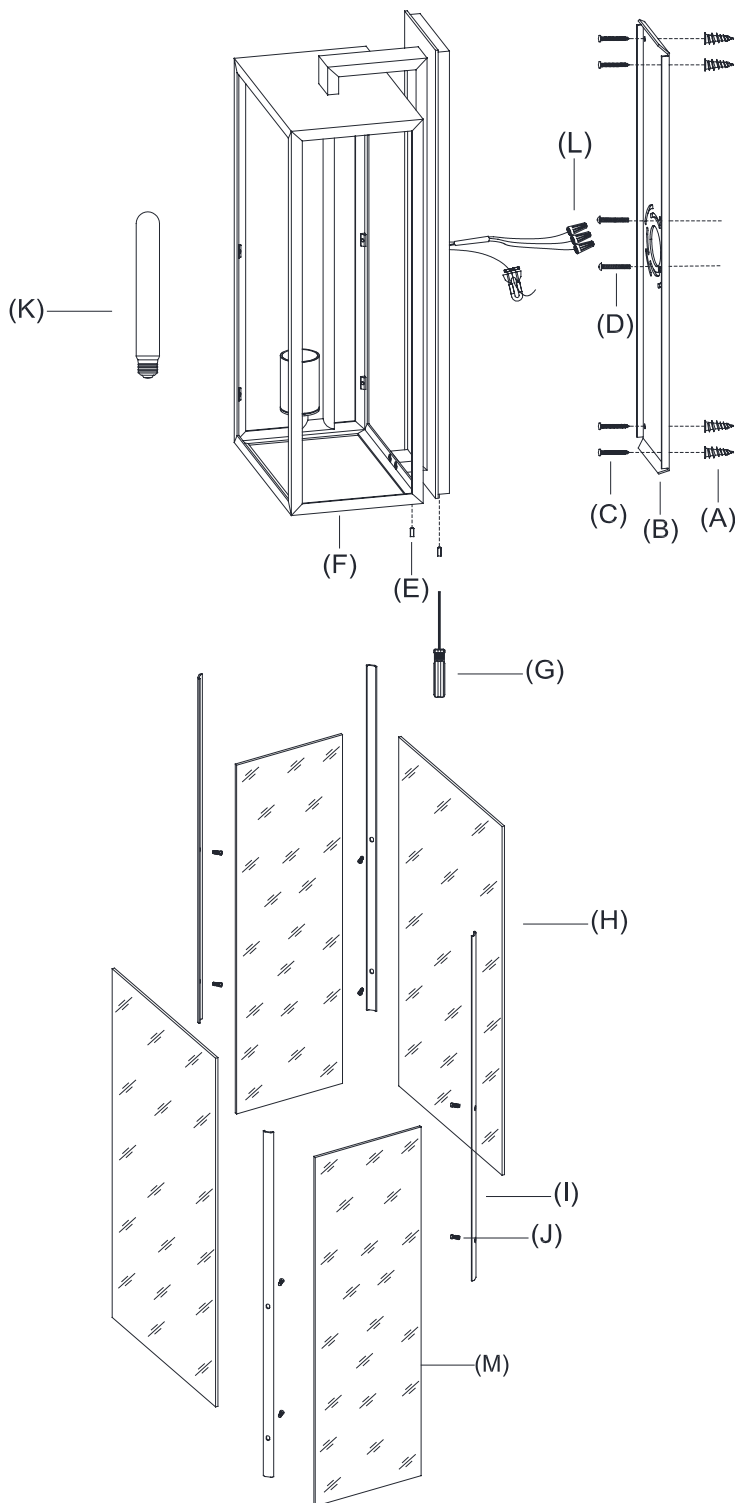
BECKMAN SCONCE 18"

ASSEMBLY AND INSTALLATION INSTRUCTIONS  
**ENGLISH**

**BECKMAN SCONCE 18"**

**PARTS INCLUDED**

- (A) Metal Anchors (4)
- (B) Mounting Plate (1)
- (C) Wood Screws (4)
- (D) Mounting Screws (2)
- (E) Set Screws (2)
- (F) Fixture Base (1)
- (G) Screwdriver (1)
- (H) Front and Back Glass Panels (2)
- (I) Metal Tabs (4)
- (J) Screws (8)
- (K) Bulb (1)
- (L) Wire Nuts (3)
- (M) Side Glass Panels (2)



### IMPORTANT: PLEASE READ

**PLEASE FOLLOW THE ASSEMBLY INSTRUCTIONS CLOSELY. IMPROPER ASSEMBLY OR INSTALLATION CAN RESULT IN PERSONAL OR PROPERTY DAMAGE. MOUNTING HARDWARE HAS BEEN PROVIDED FOR MOUNTING DIRECTLY TO A JUNCTION BOX. UNIQUE OR ALTERNATIVE INSTALLATION METHODS MAY REQUIRE DIFFERENT MOUNTING HARDWARE, WHICH HAS NOT BEEN INCLUDED. ALWAYS CONSULT WITH A LICENSED ELECTRICIAN BEFORE INSTALLATION.**

**INSTALLATION BY A LICENSED ELECTRICIAN IS STRONGLY RECOMMENDED.**

### IMPORTANT SAFETY FEATURES

#### BULBS

This fixture has been rated for one (1) 60-watt maximum Type T incandescent lightbulb or one (1) 9-watt maximum LED lightbulb. To avoid the risk of fire, do not exceed the recommended wattage.

#### DIMMER SWITCH COMPATIBILITY

This fixture is dimmer-switch compatible and may be used with either a forward-phase or reverse-phase dimmer switch.

### WARNINGS

All wires are connected. When unpacking, be careful not to pull wires, as damage may result. Do not connect electricity until the fixture is fully assembled. To reduce the risk of fire, electrical shock, or personal injury, always turn off fixture and allow it to cool prior to replacing the lightbulb. Do not touch or look directly at the bulb when fixture is illuminated. Keep flammable materials away from lit bulb.



**WARNING:** This product can expose you to chemicals including lead, which is known to the State of California to cause cancer and birth defects or other reproductive harm.

For more information, go to [www.P65Warnings.ca.gov](http://www.P65Warnings.ca.gov).

### WARNING: STRANGULATION HAZARD

Keep cord at least 3 feet away from cribs, bassinets, and toddler beds. Keep out of reach of children under 3 years of age.

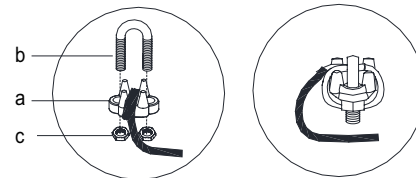
**THIS PRODUCT IS NOT A TOY AND HAS NO PLAY VALUE.**

### OUTDOOR INSTALLATION

1. Fixture must be mounted 4 feet from ground.
2. Use silicone caulk to seal fixture where the mounting plate meets the surface to prevent water from seeping in.

### INSTALL SAFETY CABLE:

1. Run safety cable through junction box and around structural member of building.
2. Wrap the safety cable around the saddle (a), and secure with u-bolt (b) and hex nuts (c).



## ASSEMBLY AND INSTALLATION

### SHUT OFF THE MAIN ELECTRICAL SUPPLY FROM THE FUSE BOX OR CIRCUIT BREAKER PANEL.

1. Carefully remove all parts from the box and remove all plastic covering.
2. Remove Mounting Plate (B) from Fixture Base (F) by unscrewing Set Screws (E) using Screwdriver (G).
3. Using Mounting Plate (B) as a guide, line up with the junction box and mark anchor positions.
4. Using a drill bit slightly smaller than the anchor, drill holes in the marked positions. Install Metal Anchors (A) into the holes using a hammer.
5. Install Mounting Plate (B) to the wall junction box and secure with Mounting Screws (D), then secure Wood Screws (C) to Metal Anchors (A).
6. Remove Metal Tabs (I) from Fixture Base (F) by unscrewing Screws (J).
7. Install Front and Back Glass Panels (H) and Side Glass Panels (M) to Fixture Base (F) and secure with Metal Tabs (I) and Screws (J).
8. Connect the safety cable as shown in the diagram on the previous page.
9. Wrap fixture ground wire (usually green or bare copper) around the green grounding screw and tighten. Continue fixture ground wire and connect to supply ground wire (usually green or bare copper) using a Wire Nut (L). NOTE: It is imperative that the fixture is grounded.
10. Connect fixture neutral wire (white) to the supply neutral wire (usually white) using a Wire Nut (L).
11. Connect fixture hot wire (black) to the supply hot wire (usually black) using a Wire Nut (L). CAUTION: Do not reverse the hot and neutral connections.
12. Attach Fixture Base (F) to the affixed Mounting Plate (B) and secure with Set Screws (E). Tighten using Screwdriver (G).
13. Install Bulb (K) into the socket.
14. Restore power to junction box and check operation of fixture.
15. Assembly is complete.

## CARE INSTRUCTIONS

Do not use polishes or cleaners on the fixture. Wipe clean with a soft, dry cloth.



BECKMAN SCONCE 21", 28"

ASSEMBLY AND INSTALLATION INSTRUCTIONS  
**ENGLISH**



### IMPORTANT: PLEASE READ

**PLEASE FOLLOW THE ASSEMBLY INSTRUCTIONS CLOSELY. IMPROPER ASSEMBLY OR INSTALLATION CAN RESULT IN PERSONAL OR PROPERTY DAMAGE. MOUNTING HARDWARE HAS BEEN PROVIDED FOR MOUNTING DIRECTLY TO A JUNCTION BOX. UNIQUE OR ALTERNATIVE INSTALLATION METHODS MAY REQUIRE DIFFERENT MOUNTING HARDWARE, WHICH HAS NOT BEEN INCLUDED. ALWAYS CONSULT WITH A LICENSED ELECTRICIAN BEFORE INSTALLATION.**

**INSTALLATION BY A LICENSED ELECTRICIAN IS STRONGLY RECOMMENDED.**

### IMPORTANT SAFETY FEATURES

#### BULBS

This fixture has been rated for two (2) 40-watt maximum Type T incandescent lightbulbs or two (2) 6.5-watt maximum SBLED lightbulbs. To avoid the risk of fire, do not exceed the recommended wattage.

#### DIMMER SWITCH COMPATIBILITY

This fixture is dimmer-switch compatible and may be used with either a forward-phase or reverse-phase dimmer switch.

### WARNINGS

All wires are connected. When unpacking, be careful not to pull wires, as damage may result. Do not connect electricity until the fixture is fully assembled. To reduce the risk of fire, electrical shock, or personal injury, always turn off fixture and allow it to cool prior to replacing the lightbulb. Do not touch or look directly at the bulb when fixture is illuminated. Keep flammable materials away from lit bulb.



**WARNING:** This product can expose you to chemicals including lead, which is known to the State of California to cause cancer and birth defects or other reproductive harm.

For more information, go to [www.P65Warnings.ca.gov](http://www.P65Warnings.ca.gov).

### WARNING: STRANGULATION HAZARD

Keep cord at least 3 feet away from cribs, bassinets, and toddler beds. Keep out of reach of children under 3 years of age.

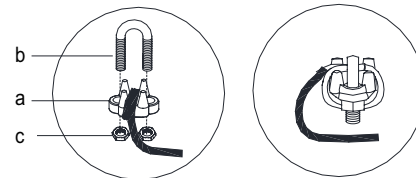
**THIS PRODUCT IS NOT A TOY AND HAS NO PLAY VALUE.**

### OUTDOOR INSTALLATION

1. Fixture must be mounted 4 feet from ground.
2. Use silicone caulk to seal fixture where the mounting plate meets the surface to prevent water from seeping in.

### INSTALL SAFETY CABLE:

1. Run safety cable through junction box and around structural member of building.
2. Wrap the safety cable around the saddle (a), and secure with u-bolt (b) and hex nuts (c).



**ASSEMBLY AND INSTALLATION****SHUT OFF THE MAIN ELECTRICAL SUPPLY FROM  
THE FUSE BOX OR CIRCUIT BREAKER PANEL.**

1. Carefully remove all parts from the box and remove all plastic covering.
2. Remove Mounting Plate (B) from the Fixture Base (F) by unscrewing Set Screws (E) using Screwdriver (G).
3. Using Mounting Plate (B) as a guide, line up with the junction box and mark anchor positions.
4. Using a drill bit slightly smaller than the anchor, drill holes in the marked positions. Install Metal Anchors (A) into the holes using a hammer.
5. Install Mounting Plate (B) to the wall junction box and secure with Mounting Screws (D), then secure Wood Screws (C) to Metal Anchors (A).
6. Remove Metal Tabs (I) from Fixture Base (F) by unscrewing Screws (J).
7. Install Front and Back Glass Panels (H) and Side Glass Panels (M) to Fixture Base (F) and secure with Metal Tabs (I) and Screws (J).
8. Connect the safety cable as shown in the diagram on the previous page.
9. Wrap fixture ground wire (usually green or bare copper) around the green grounding screw and tighten. Continue fixture ground wire and connect to supply ground wire (usually green or bare copper) using a Wire Nut (L). NOTE: It is imperative that the fixture is grounded.
10. Connect fixture neutral wire (white) to the supply neutral wire (usually white) using a Wire Nut (L).
11. Connect fixture hot wire (black) to the supply hot wire (usually black) using a Wire Nut (L). CAUTION: Do not reverse the hot and neutral connections.
12. Attach Fixture Base (F) to the affixed Mounting Plate (B) and secure with Set Screws (E). Tighten with the Screwdriver (G).
13. Install Bulbs (K) into each of the sockets.
14. Restore power to junction box and check operation of fixture.
15. Assembly is complete.

**CARE INSTRUCTIONS**

Do not use polishes or cleaners on the fixture. Wipe clean with a soft, dry cloth.