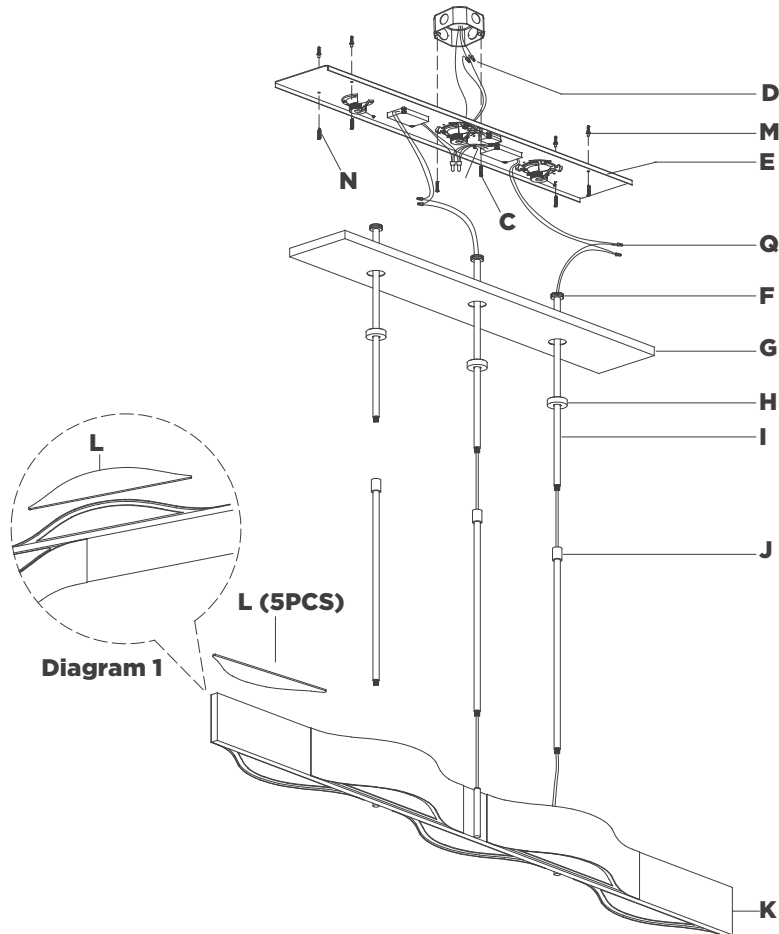


## ASSEMBLY INSTRUCTIONS

## Avant 60" Linear Pendant

Item # KW5524



### NOTICE:

This light fixture should be installed in accordance with all applicable, local installation codes, and by a person familiar with the construction and operation of it, as well as the hazards involved. Inspect item and contents carefully. If any damage or defect is found, do not install. Retain all packaging material until installation is complete and approved.

### TOOLS REQUIRED (NOT INCLUDED):

Phillips Screwdriver	Slotted Screwdriver	Wire Strippers
Wire Cutters	Hammer	Pencil
Drill		

1. Carefully remove all parts from the box. Place on a clean, soft surface.
2. Remove mounting plate **(E)** from canopy **(G)** by removing collar rings **(H)**.
3. Using mounting plate **(E)** as a guide, line up with the junction box and mark anchor positions.
4. Using a drill bit slightly smaller than the anchor, drill holes in the marked positions. Install anchors **(M)** into the holes using a hammer.
5. Install mounting plate **(E)** to the junction box and secure with mounting screws **(C)**, then secure wood screws **(N)** to anchors **(M)**.
6. Place glass sheets **(L)** to fixture **(K)** (see diagram 1).
7. Feed electrical wires through bottom rods **(J)** and connect to fixture **(K)**.
8. Continue feeding wires through collar rings **(H)**, canopy **(G)** and top rods **(I)**.
9. Holding fixture upright, slide collar rings **(H)** and canopy **(G)** down and rest on fixture **(K)**. Then connect top rods **(I)** to bottom rods **(J)**.

**NOTE:** Slide components down slowly to avoid damage.

