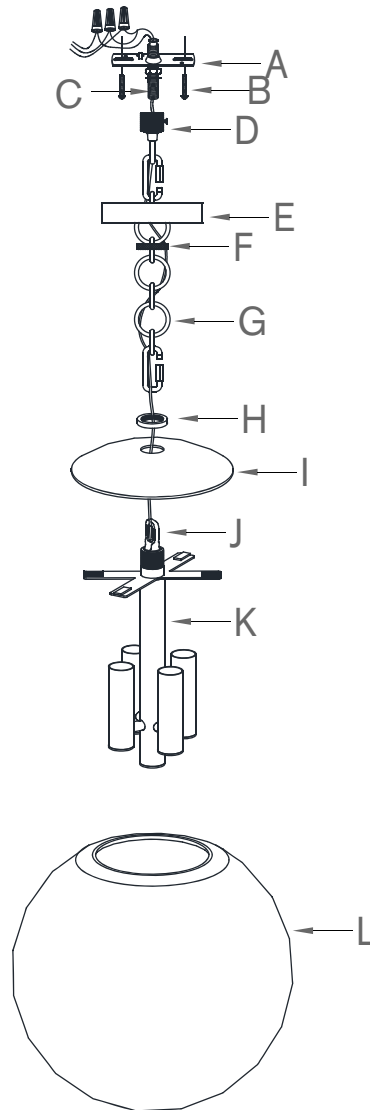


## ASSEMBLY INSTRUCTIONS

Turenne Medium Globe Pendant  
Item # ARN5255

**circ**  
Lighting



**WE RECOMMEND INSTALLATION OF THIS LIGHTING FIXTURE BE DONE BY A LICENSED ELECTRICIAN.**

**WARNING \*\*\* SWITCH OFF THE MAIN ELECTRICAL SUPPLY FROM THE MAIN FUSE BOX/CIRCUIT BREAKER BEFORE INSTALLATION.**

**INSPECT ITEM CAREFULLY BEFORE ATTEMPTING TO INSTALL. IF THERE IS ANY DAMAGE OR OBVIOUS DEFECT, DO NOT INSTALL.**

**ITEM MAY NOT BE RETURNED ONCE IT HAS BEEN INSTALLED.**

1. Carefully remove all parts from the carton.
2. Remove shade cap (I) from top of socket bracket (K) by unscrewing ring (H).
3. Insert light bulbs into sockets.
4. Carefully insert the socket bracket (K) into the glass shade (L), slide shade cap (I) onto the threaded section of top loop (J) and secure with ring (H).
5. Attach chain (G) to top loop (J) by opening/closing the end link.
6. Feed wire through chain (G) and chain mounting loop (D).
7. Unscrewing canopy ring (F), slide canopy (E) and canopy ring (F) on chain (G).
8. Attach mounting strap (A) to ceiling outlet box and secure with mounting screws (B).
9. Attach chain mounting loop (D) to thread nipple (C).
10. Attach chain (G) with fixture to chain mounting loop (D) at desired height.
11. Attach the bare copper ground from the fixture to the ground junction box wire (usually green or copper), fasten together with a plastic wire connector. Tighten wrap the wire connector with electrical tape. Be sure no wire strands are exposed. **IT IS IMPERATIVE THAT THE OUTLET BOX IN YOUR HOME BE PROPERLY GROUNDED.**
12. Connect neutral wire from fixture (ridges molded wire) to the neutral wire from the junction box (usually white) . Fasten both wires together with a plastic wire connector and tightly wrap the wire connctor with electrical tape. Be sure no wire strands are exposed.
13. Connect the hot wires from the fixture (smooth wire) to the hot wire (usually black ) from the junction box. Fasten each together with a plastic wire connctor and wrap the connection with elctrical tape. **DO NOT REVERSE THE HOT AND NEUTRAL CONNECTIONS OTHERWISE SAFETY WILL BE COMPROMISED.**
14. Tuck the wire connections neatly into the ceiling outlet box.
15. Slip canopy (E) to ceiling and secure with canopy ring (F).
16. Restore power and test fixture. Installation is completed.

\*\*\* Clean with a dry, soft cloth only. Use no harsh abrasives or chemical agents.