

# GENERATION LIGHTING



## AUDLEY LARGE & EXTRA-LARGE LED LANTERNS

GLO1301CDL; GLO1301DL; GLO1311CDL; GLO1311DL

### General Product Information

 Intertek	 <b>SAVE THESE INSTRUCTIONS!</b>	 STANDARD INSTALLATION	 OUTDOOR
 WET LOCATION SAFE	 NEC COMPLIANT JUNCTION BOX	 INTEGRATED LED NO BULBS REQUIRED	 DIMMABLE (LED, ELY, TRIAC & 10V)
 PLEASE SEE <a href="http://visualcomfort.com">visualcomfort.com</a> FOR PRODUCT SPECS	 CLEAN WITH SOFT, DRY CLOTH ONLY. NO HARSH CHEMICALS!	 BEST PRACTICE: HANDLE FIXTURE WITH GLOVES	

### Tools Required

 PHILLIPS-HEAD SCREWDRIVER	 CAULK GUN	 WIRE CUTTER
-------------------------------	---------------	-----------------

### Safety Information

#### CAUTION-RISK OF FIRE

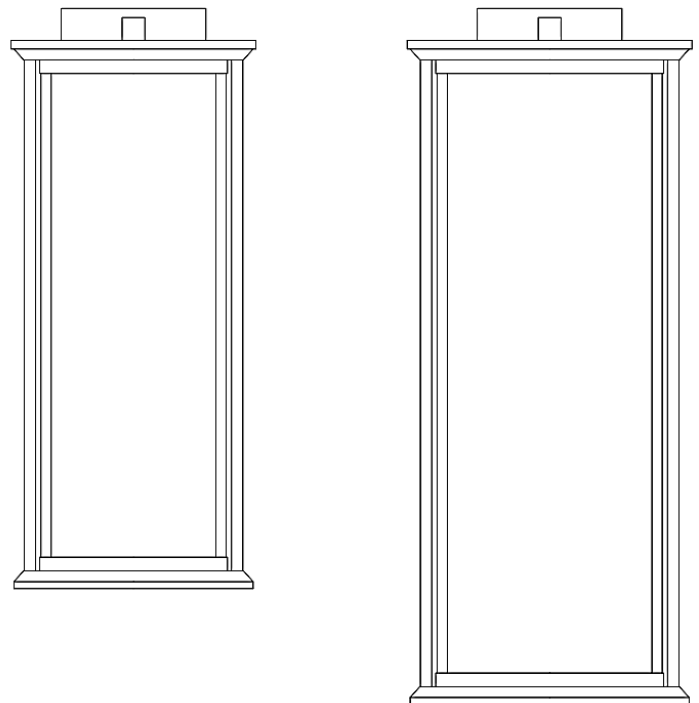
This product must be installed in accordance with the applicable installation code by a person familiar with the construction and operation of the product and the hazards involved.

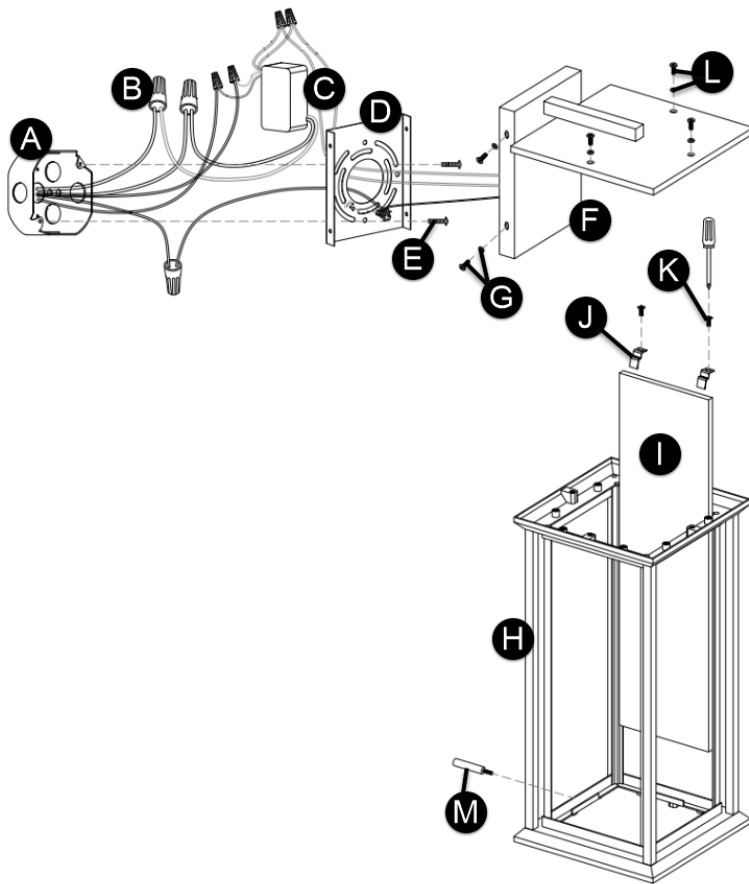
**USE MINIMUM 90°C SUPPLY CONDUCTORS.**



Turn off electrical current at the source before working with any lighting fixture or portable lamp.

Install and use this product in adherence with local electrical codes and regulations.





## FIXTURE PARTS

- A. Junction Box
- B. Wire Nut Connections
- C. Driver
- D. Mounting Plate
- E. Mounting Screws
- F. Fixture Base
- G. Fixture Screws & Washers
- H. Fixture Frame
- I. Glass Panel
- J. Glass Clips
- K. Clip Screws
- L. Frame Screws & Washers
- M. Support

## INSTRUCTIONS

### I. Preparing the Fixture

1. Remove the mounting plate from the fixture base.

### II. Wiring the Fixture

1. Safety first! Locate the circuit breaker and switch it off to cut off the power supply to the relevant circuits to ensure there's no electricity running through the wiring.
2. Connect the LED driver input wires to the supply power wires.
  - a) Connect the hot driver wire (black) to the hot power line wire with a wire nut.
  - b) Connect the neutral driver wire (white) to the neutral power line wire with a wire nut.
3. Place the driver in the junction box, Install the mounting plate on the junction box. Ensure that the driver output wires are accessible.
4. In accordance with local electrical codes, connect the fixture ground wire (bare copper or silver wire) to suitable ground. This may be a green ground screw on the mounting plate, which the ground wire should be tightly wrapped around or a house wire (green or bare copper wire without insulation).
5. Twist the bare ends of the following pairs of wires together using a wire nut to secure a connection:
  - a) Negative (-) fixture wire to negative (-) driver output wire
  - b) Positive (+) fixture wire to positive (+) driver output wire
5. For 0-10V dimming capabilities, connect the purple and pink wires to a compatible dimmer. Cap off these wires, if not in use.
6. Carefully place all the wires and wire nut connections onto the mounting plate.

### III. Installing the Fixture

1. Mount the fixture base onto the mounting plate and secure it in place by installing the fixture screws and washers.
2. Secure the glass panels to the fixture frame with the glass clips and the clip screws.
3. Install the support to the fixture frame (optional).
4. Use the frame screws to secure the fixture frame to the fixture base and complete the installation.
5. For wet locations, caulk around the base of the fixture with waterproof construction sealant.