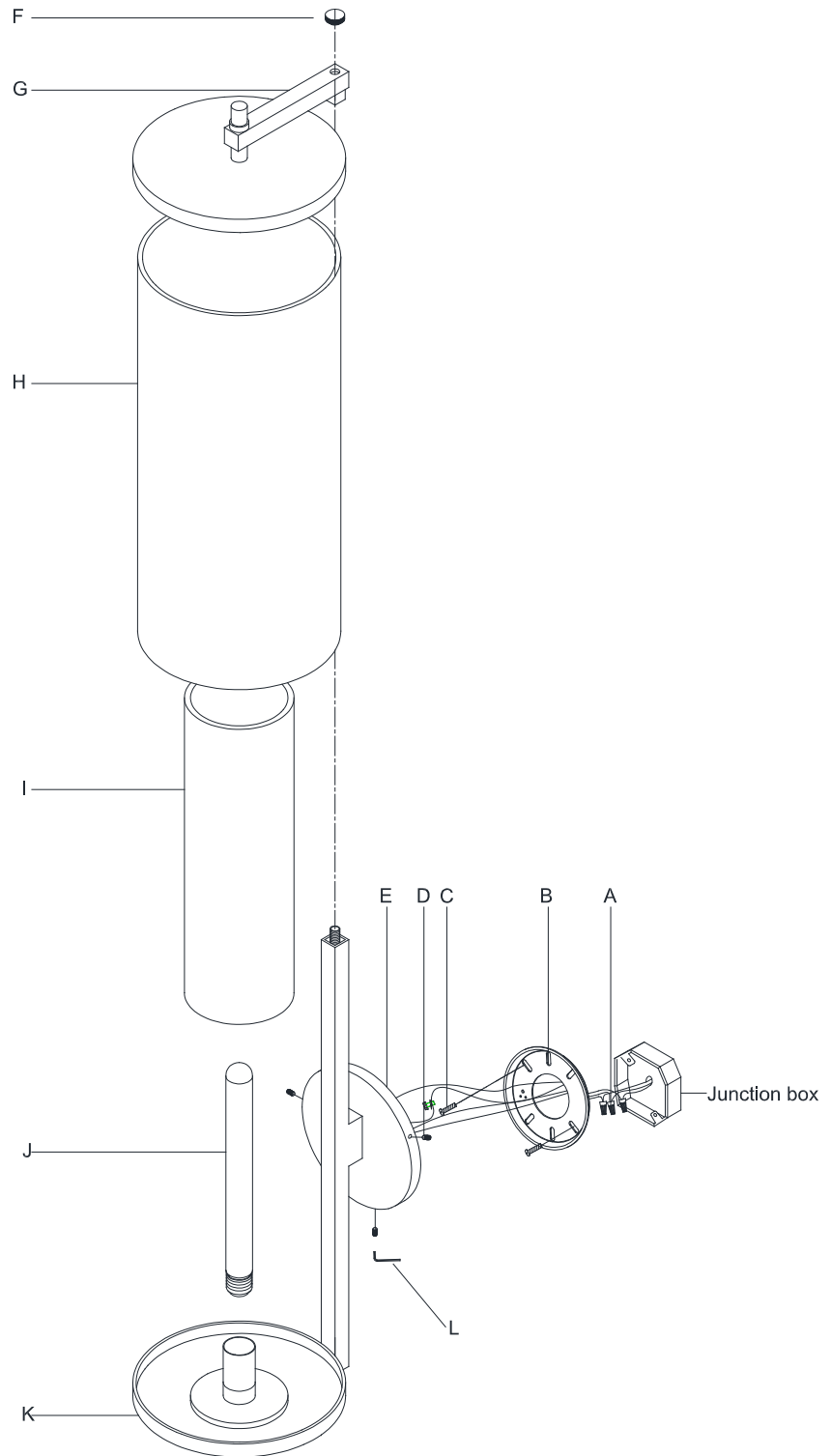


# DEVAUX ROUND SCONCE

## PARTS ENCLOSED

- (A) Wire Nuts (3)
- (B) Mounting Plate (1)
- (C) Mounting Screws (2)
- (D) Side Screws (3)
- (E) Back Plate (1)
- (F) Finial (1)
- (G) Top Cap (1)
- (H) Large Glass Shade (1)
- (I) Small Glass Shade (1)
- (J) Bulb (1)
- (K) Bottom Cap (1)
- (L) Hex Wrench (1)



## DEVAUX ROUND SCONCE

### IMPORTANT SAFETY INSTRUCTIONS

INSTALLATION BY A LICENSED ELECTRICIAN IS STRONGLY RECOMMENDED.

This fixture has been rated for up to one (1) 40-Watt maximum E26 Type T standard incandescent lightbulb (included), or one (1) 5-Watt E26 Type T LED lightbulb (not included). To avoid the risk of fire, do not exceed the recommended wattage.

### WARNINGS

All wires are connected. When unpacking, be careful not to pull wires, as a bad connection may result. Do not connect electricity until your fixture is fully assembled. To reduce the risk of fire, electrical shock, or personal injury, always turn off fixture and allow it to cool prior to replacing the lightbulb. Do not touch or look directly at the bulb when fixture is illuminated. Keep flammable materials away from lit bulb.



**WARNING:** This product can expose you to lead, which is known to the State of California to cause cancer and birth defects or other reproductive harm. For more information, go to [www.P65Warnings.ca.gov](http://www.P65Warnings.ca.gov).

THIS PRODUCT IS NOT A TOY AND HAS NO PLAY VALUE.



**WARNING: STRANGULATION HAZARD**

Keep cord at least 3 feet away from cribs, bassinets, and toddler beds. Keep out of reach of children under 3 years of age.

### ASSEMBLY & INSTALLATION

SHUT OFF THE MAIN ELECTRICAL SUPPLY FROM THE FUSE BOX OR CIRCUIT BREAKER PANEL.

1. Carefully remove all parts from the box and remove all plastic coverings.
2. Remove Mounting Plate (B) from Back Plate (E) by loosening Side Screws (D) using Hex Wrench (L).
3. Affix Mounting Plate (B) onto the wall outlet box and secure with Mounting Screws (C).
4. Connect the hot wire (black) from the fixture to the hot wire

### ASSEMBLY & INSTALLATION CONT.

from the wall outlet box (usually black). Fasten them together using a Wire Nut (A) and wrap the connection with electrical tape.

5. Connect the neutral wire (white) from the fixture to the neutral wire from the wall outlet box (usually white). **DO NOT REVERSE THE HOT AND NEUTRAL CONNECTIONS OR SAFETY WILL BE COMPROMISED.**
6. Connect the ground wire (bare copper) from the fixture to the ground wire from the wall outlet box (usually green or copper in color). **IT IS IMPERATIVE THAT THIS FIXTURE BE GROUNDED.**
7. Affix Back Plate (E) to the Mounting Plate (B), then secure with Side Screws (D) using Hex Wrench (L).
8. Loosen Finial (F), then remove Top Cap (G) from the fixture. Insert Bulb (J) into the socket.
9. Cover Bulb (J) with Small Glass Shade (I) and secure onto the middle of the Bottom Cap (K). Place Large Glass Shade (H) over Small Glass Shade (I) and secure onto Bottom Cap (K).
10. Place Top Cap (G) onto Large Glass Shade (H) and lock Top Cap (G) onto the fixture with Finial (F).
11. Installation is complete. Turn on power at fuse or circuit breaker.

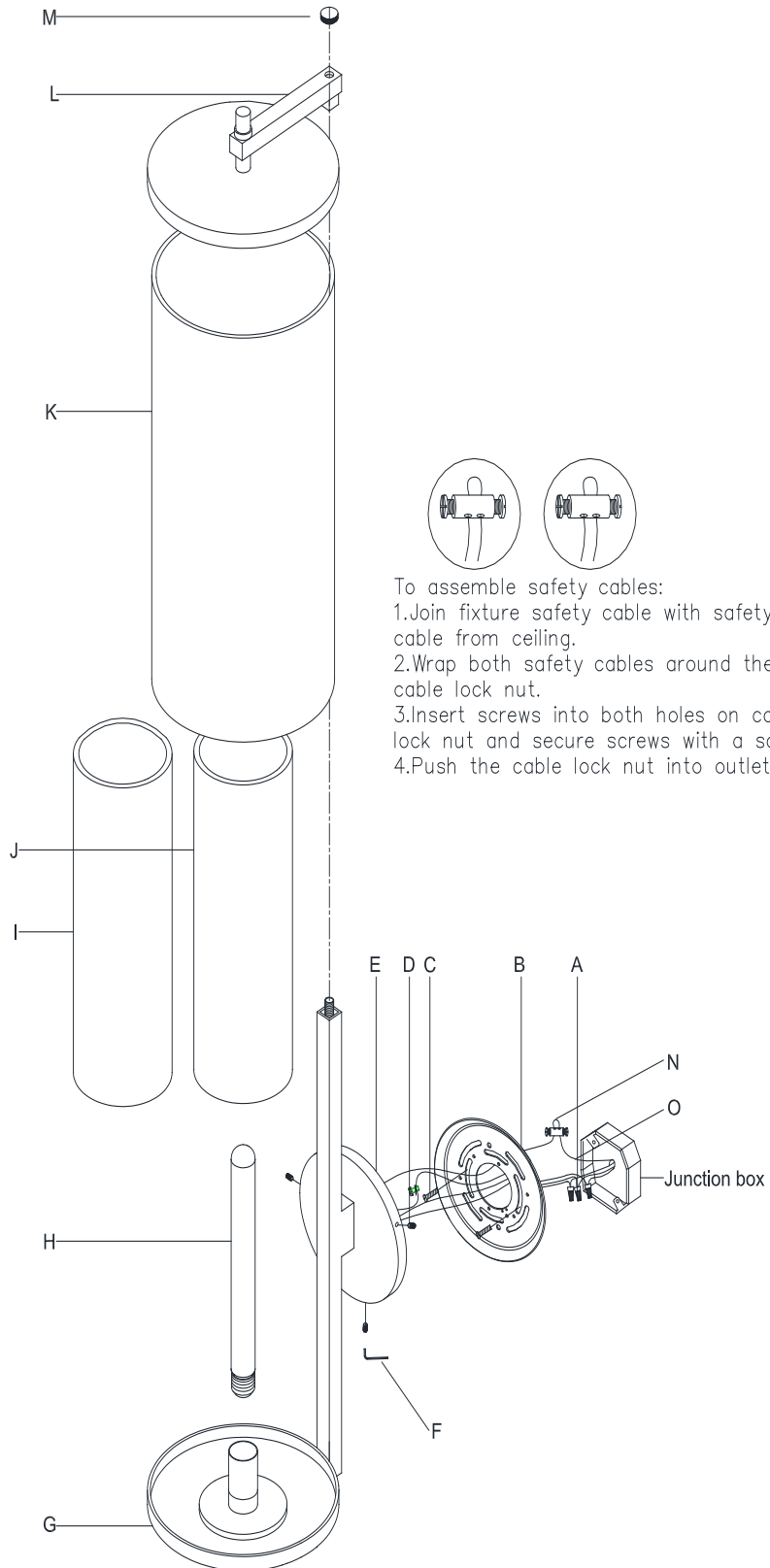
### CARE INSTRUCTIONS

Do not use polishes or cleaners on the fixture. Wipe clean with a soft, dry cloth.

## DEVAUX GRAND ROUND SCONCE

### PARTS ENCLOSED

- (A) Wire Nuts (3)
- (B) Mounting Plate (1)
- (C) Mounting Screws (2)
- (D) Side Screws (3)
- (E) Back Plate (1)
- (F) Hex Wrench (1)
- (G) Bottom Cap (1)
- (H) Bulb (1)
- (I) Inner Clear Glass Shade (1)
- (J) Inner Frosted Glass Shade (1)
- (K) Outer Glass Shade (1)
- (L) Top Cap (1)
- (M) Finial (1)
- (N) Cable Lock Nut (1)
- (O) Safety Cable (1)



## DEVAUX GRAND ROUND SCNCE

### IMPORTANT SAFETY INSTRUCTIONS

INSTALLATION BY A LICENSED ELECTRICIAN IS STRONGLY RECOMMENDED.

This fixture has been rated for up to one (1) 40-watt maximum E26 Type T standard incandescent lightbulb or one (1) 5-watt E26 Type T LED lightbulb. To avoid the risk of fire, do not exceed the recommended wattage.

### WARNINGS

All wires are connected. When unpacking, be careful not to pull wires, as a bad connection may result. Do not connect electricity until your fixture is fully assembled. To reduce the risk of fire, electrical shock, or personal injury, always turn off fixture and allow it to cool prior to replacing the lightbulb. Do not touch or look directly at the bulb when fixture is illuminated. Keep flammable materials away from lit bulb.



**WARNING:** This product can expose you to lead, which is known to the State of California to cause cancer and birth defects or other reproductive harm. For more information, go to [www.P65Warnings.ca.gov](http://www.P65Warnings.ca.gov).

THIS PRODUCT IS NOT A TOY AND HAS NO PLAY VALUE.



**WARNING: STRANGULATION HAZARD**

Keep cord at least 3 feet away from cribs, bassinets, and toddler beds. Keep out of reach of children under 3 years of age.

### ASSEMBLY & INSTALLATION

SHUT OFF THE MAIN ELECTRICAL SUPPLY FROM THE FUSE BOX OR CIRCUIT BREAKER PANEL.

1. Carefully remove all parts from the box and remove all plastic coverings.
2. Remove Mounting Plate (B) from Back Plate (E) by loosening Side Screws (D) using Hex Wrench (F).
3. Affix Mounting Plate (B) onto the wall outlet box and secure with Mounting Screws (C).

### ASSEMBLY & INSTALLATION CONT.

4. Join the fixture Safety Cable (O) with safety cable from the wall outlet box.
5. Wrap both safety cables around Cable Lock Nut (N).
6. Insert the screws into both holes on Cable Lock Nut (N) and secure the screws using a screwdriver (not provided).
7. Push Cable Lock Nut (N) into the wall outlet box.
8. Connect the hot wire (black) from the fixture to the hot wire from the outlet box (usually black). Fasten them together with a Wire Nut (A) and wrap the connection with electrical tape.
9. Connect the neutral wire (white) from the fixture to the neutral wire from the outlet box (usually white). **DO NOT REVERSE THE HOT AND NEUTRAL CONNECTIONS OR SAFETY WILL BE COMPROMISED.**
10. Connect the ground wire (bare copper) from the fixture to the ground wire from the outlet box (usually green or copper in color). **IT IS IMPERATIVE THAT THIS FIXTURE BE GROUNDED.**
11. Affix Back Plate (E) to Mounting Plate (B), then secure with Side Screws (D) using Hex Wrench (F).
12. Loosen Finial (M) and remove Top Cap (L) from the fixture, then insert Bulb (H) into the socket.
13. Place Inner Clear Glass Shade (I) or Inner Frosted Glass Shade (J) on top of Bulb (H). Secure Inner Clear Glass Shade (I) or Inner Frosted Glass Shade (J) to the step in the middle of Bottom Cap (G). Place Outer Glass Shade (K) over Inner Clear Glass Shade (I) or Inner Frosted Glass Shade (J) and fit it to Bottom Cap (G).
14. Place Top Cap (L) over Outer Glass Shade (K), then lock Top Cap (L) on the fixture with Finial (M).
15. Installation is complete. Turn on power at fuse or circuit breaker.

### CARE INSTRUCTIONS

Do not use polishes or cleaners on the fixture. Wipe clean with a soft, dry cloth.