



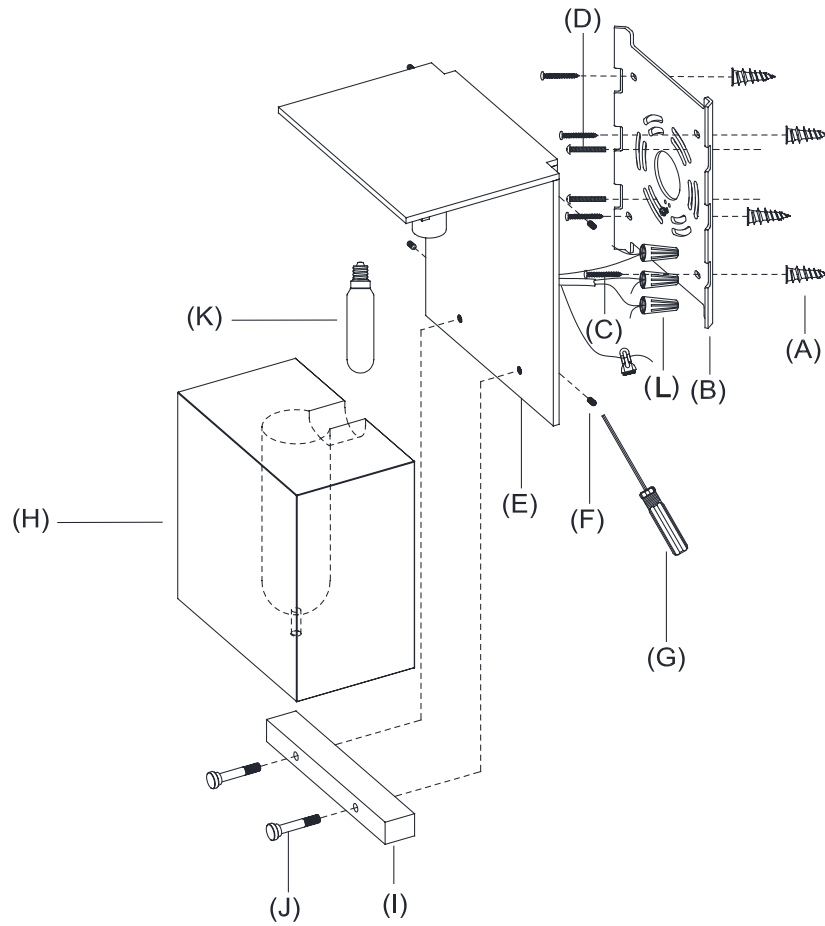
SAVILE CUBE SCONCE

ASSEMBLY AND INSTALLATION INSTRUCTIONS  
**ENGLISH**

**SAVILE CUBE SCONCE**

**PARTS INCLUDED**

- (A) Metal Anchors (4)
- (B) Mounting Plate (1)
- (C) Wood Screws (4)
- (D) Mounting Screws (2)
- (E) Fixture Base (1)
- (F) Set Screws (4)
- (G) Screwdriver (1)
- (H) Crystal Shade (1)
- (I) Bracket (1)
- (J) Bolts (2)
- (K) Bulb (1)
- (L) Wire Nuts (3)



### IMPORTANT: PLEASE READ

PLEASE FOLLOW THE ASSEMBLY INSTRUCTIONS CLOSELY. IMPROPER ASSEMBLY OR INSTALLATION CAN RESULT IN PERSONAL OR PROPERTY DAMAGE. MOUNTING HARDWARE HAS BEEN PROVIDED FOR MOUNTING DIRECTLY TO A JUNCTION BOX. UNIQUE OR ALTERNATIVE INSTALLATION METHODS MAY REQUIRE DIFFERENT MOUNTING HARDWARE, WHICH HAS NOT BEEN INCLUDED. ALWAYS CONSULT WITH A LICENSED ELECTRICIAN BEFORE INSTALLATION.

INSTALLATION BY A LICENSED ELECTRICIAN IS STRONGLY RECOMMENDED.

### IMPORTANT SAFETY FEATURES

#### BULBS

This fixture has been rated for one (1) 25-watt maximum Type T incandescent lightbulb or one (1) 5.5-watt maximum SBLED lightbulb. To avoid the risk of fire, do not exceed the recommended wattage.

#### DIMMER-SWITCH COMPATIBILITY

This fixture is dimmer switch compatible and may be used with either a forward-phase or reverse-phase dimmer switch.

### WARNINGS

All wires are connected. When unpacking, be careful not to pull wires, as damage may result. Do not connect electricity until the fixture is fully assembled. To reduce the risk of fire, electrical shock, or personal injury, always turn off fixture and allow it to cool prior to replacing the lightbulb. Do not touch or look directly at the bulb when fixture is illuminated. Keep flammable materials away from lit bulb.

 **WARNING:** This product can expose you to chemicals including lead, which is known to the State of California to cause cancer and birth defects or other reproductive harm.

For more information, go to [www.P65Warnings.ca.gov](http://www.P65Warnings.ca.gov).

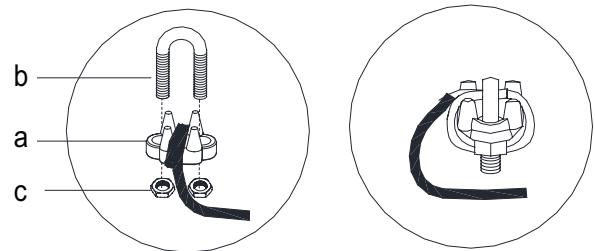
### WARNING: STRANGULATION HAZARD

Keep cord at least 3 feet away from cribs, bassinets, and toddler beds. Keep out of reach of children under 3 years of age.

**THIS PRODUCT IS NOT A TOY AND HAS NO PLAY VALUE.**

### INSTALL SAFETY CABLE

1. Run the safety cable through junction box and around structural member of building.
2. Wrap the safety cable around the saddle (a), and secure with u-bolt (b) and hex nuts (c).



## ASSEMBLY AND INSTALLATION

### SHUT OFF THE MAIN ELECTRICAL SUPPLY FROM THE FUSE BOX OR CIRCUIT BREAKER PANEL.

1. Carefully remove all parts from the box and remove all plastic coverings. Place on a clean, soft surface.
2. Remove Mounting Plate (B) from Fixture Base (E) by unscrewing Set Screws (F) using Screwdriver (G).
3. Using Mounting Plate (B) as a guide. Line up with the wall junction box and mark anchor positions.
4. Drill small holes on each point location on the wall, each hole should be large enough to accommodate Metal Anchors (A). Push Metal Anchors (A) into the holes on the wall.
5. Attach Mounting Plate (B) to the wall outlet by aligning the holes and secure by inserting Wood Screws (C) to Metal Anchors (A) and Mounting Screws (D) to the wall junction box.
6. Connect the safety cable as shown in the diagram on the previous page.
7. Wrap fixture ground wire (green or green/yellow) around the green grounding screw and tighten. Continue feeding fixture ground wire and connect to supply ground wire (usually green or bare copper) using a Wire Nut (L). NOTE: It is imperative that the fixture is grounded.
8. Connect fixture neutral wire (white) to the supply neutral wire (usually white) using a Wire Nut (L).
9. Connect fixture hot wire (black) to the supply hot wire (usually black) using a Wire Nut (L). CAUTION: Do not reverse the hot and neutral connections.
10. Make sure all wire connections are tight, then carefully tuck into the wall junction box.
11. Attach Fixture Base (E) to the affixed Mounting Plate (B) and secure with Set Screws (F) using Screwdriver (G).
12. Install Bulb (K) into the socket.
13. Remove Bracket (I) from Fixture Base (E) by unscrewing Bolts (J). Install Crystal Shade (H) to Fixture Base (E) and secure with Bracket (I) and Bolts (J).
14. Assembly is complete.

## CARE INSTRUCTIONS

Do not use polishes or cleaners on the fixture. Wipe clean with a soft, dry cloth.