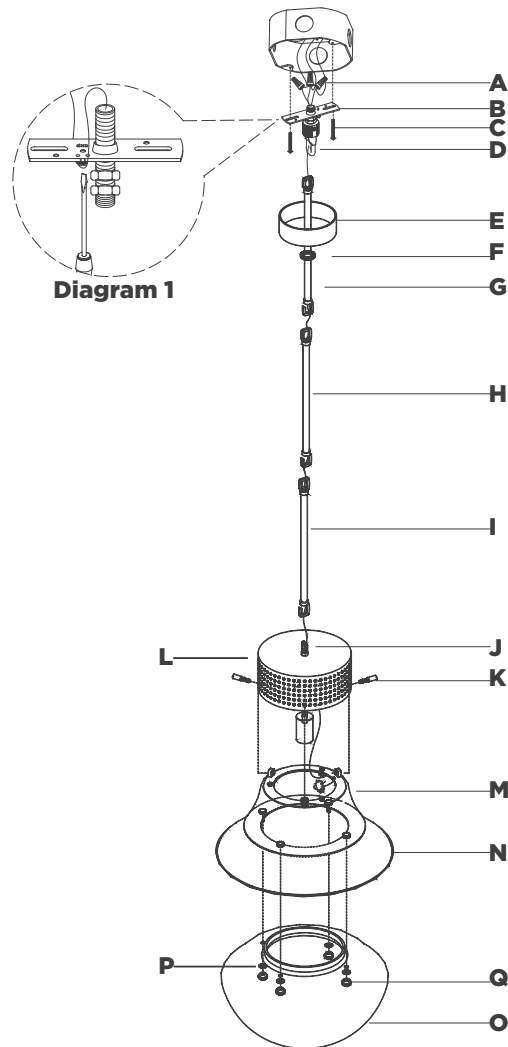


Precision Large Pendant

Item # KW5223

NOTICE:

This light fixture should be installed in accordance with all applicable, local installation codes, and by a person familiar with the construction and operation of it, as well as the hazards involved. Inspect item and contents carefully. If any damage or defect is found, do not install. Retain all packaging material until installation is complete and approved.



TOOLS REQUIRED (NOT INCLUDED):

Phillips Screwdriver Slotted Screwdriver Wire Strippers
Wire Cutters

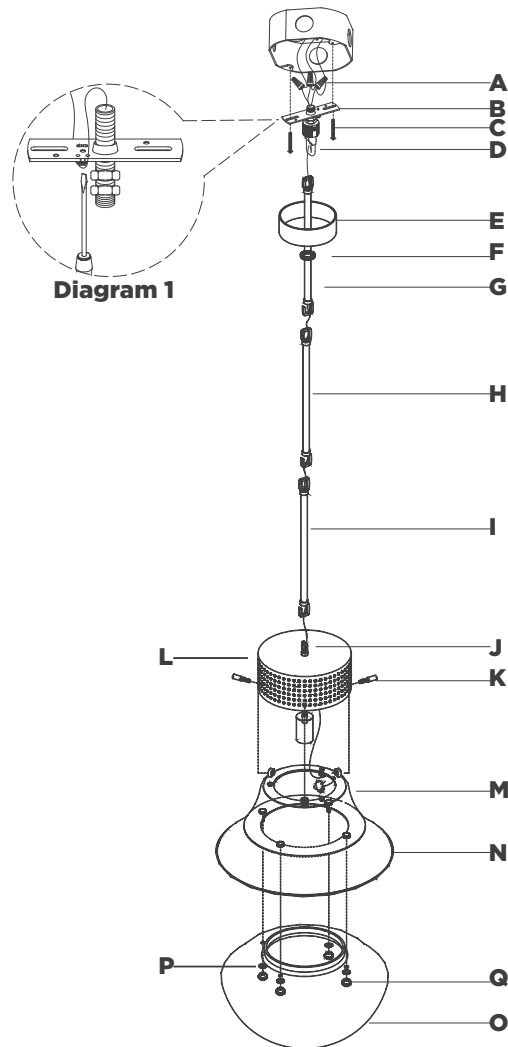
- Carefully remove all parts from the box. Place on a clean, soft surface.
- Remove mounting plate **(B)** from canopy **(E)** by removing collar ring **(F)**.
- Install mounting plate **(B)** to the junction box and secure with mounting screws **(C)**.
- Secure collar loop **(D)** to mounting plate **(B)** using pliers to tighten locknut.
- Install light bulb into the socket.
- Unscrew the ball nuts **(Q)** and washers **(P)** from the metal shade **(N)**, attach the glass shade **(O)** to the metal shade **(N)** and secure with washers **(P)** and ball nuts **(Q)**.
- Unscrew thumbscrews **(K)** from fixture **(L)**, then install shade **(M)** to fixture **(L)** and secure with thumbscrews **(K)**.
NOTE: Do not overtighten otherwise glass shade could be damaged.
- Feed fixture wire and ground wire through rods **(I & H & G)**.
- Attach rods **(I & H & G)** together, then attach to fixture loop **(J)** and collar loop **(D)**.
NOTE: Ensure there is no tension on the wires. Cut excess wires, being sure to leave enough to reach the junction box.
- Separate two sides of molded wire, and strip insulation on each 5/8".

Precision Large Pendant

Item # KW5223

NOTICE:

This light fixture should be installed in accordance with all applicable, local installation codes, and by a person familiar with the construction and operation of it, as well as the hazards involved. Inspect item and contents carefully. If any damage or defect is found, do not install. Retain all packaging material until installation is complete and approved.



11. Loosen collar ring **(F)** and let canopy **(E)** slip down rods carefully.
12. Twist all fixture wires together. Slip through center hole of collar loop **(D)**.
NOTE: Untwist wires and separate to prepare for connection.
13. Wrap fixture ground wire (bare copper) around the green grounding screw (see diagram 1). Tighten. Continue fixture ground wire and connect to supply ground wire (usually green or bare copper) using wire nut **(A)**.
NOTE: It is imperative that the fixture is grounded.
14. Connect fixture neutral wire (ribbed molded wire) to the supply neutral wire (usually white) using wire nut **(A)**.
15. Connect fixture hot wire (smooth wire) to the supply hot wire (usually black) using wire nut **(A)**.
CAUTION: Do not reverse the hot and neutral connections.
16. Make sure all wire connections are tight, then carefully tuck into the junction box.
17. Install canopy **(E)** to mounting plate **(B)** and secure with collar ring **(F)**.

CARE INSTRUCTIONS: Clean only with a soft dry cloth or feather duster. Do not use abrasive or chemical agents.