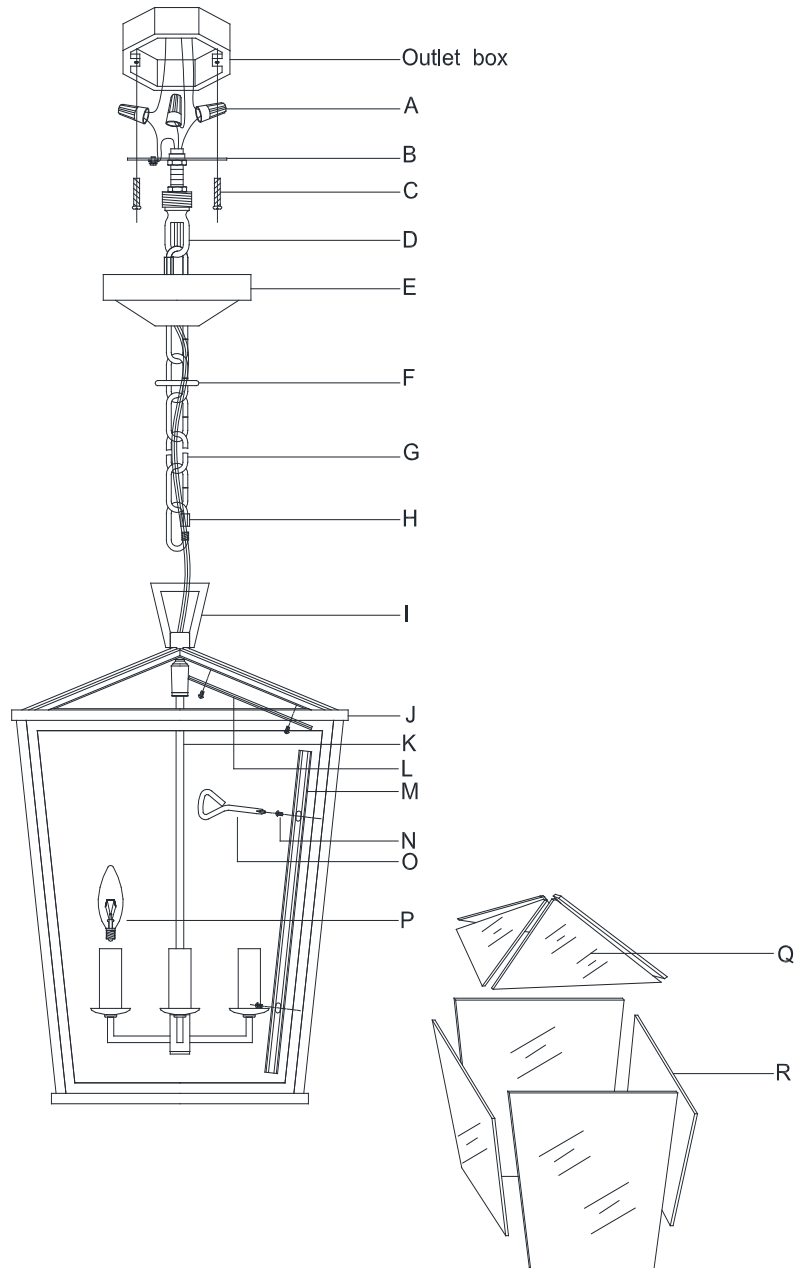


19TH C. ENGLISH OPENWORK OUTDOOR PENDANT 13"

PARTS ENCLOSED

- (A) Wire Nuts (3)
- (B) Crossbar (1)
- (C) Mounting Screws (2)
- (D) Ceiling Loop (1)
- (E) Canopy (1)
- (F) Lock Collar (1)
- (G) Chain (1)
- (H) Carabiners (2)
- (I) Top Ring (1)
- (J) Fixture Body (1)
- (K) Center Tube (1)
- (L) Short Metal Bars (4)
- (M) Long Metal Bars (4)
- (N) Screws (16)
- (O) Philips Screwdriver (1)
- (P) Bulbs (4)
- (Q) Top Glass Panels (4)
- (R) Side Glass Panels (4)



## 19TH C. ENGLISH OPENWORK OUTDOOR PENDANT 13"

### IMPORTANT SAFETY INSTRUCTIONS

INSTALLATION BY A LICENSED ELECTRICIAN IS STRONGLY RECOMMENDED.

This fixture has been rated for up to four (4) 60-Watt E12 Type B candelabra lightbulbs (not included), four (4) 13-Watt compact fluorescent lightbulbs (not included), four (4) 5-Watt LED lightbulbs (not included) or four (4) 40-Watt E12 Type B candelabra lightbulbs (included). To avoid the risk of fire, do not exceed the recommended wattage.

### WARNINGS

All wires are connected. When unpacking, be careful not to pull wires, as a bad connection may result. Do not connect electricity until your fixture is fully assembled. To reduce the risk of fire, electrical shock or personal injury, always turn off fixture and allow it to cool prior to replacing the lightbulb. Do not touch or look directly at the bulb when fixture is illuminated. Keep flammable materials away from lit bulb.



**WARNING:** This product can expose you to lead, which is known to the State of California to cause cancer and birth defects or other reproductive harm. For more information, go to [www.P65Warnings.ca.gov](http://www.P65Warnings.ca.gov).

**THIS PRODUCT IS NOT A TOY AND HAS NO PLAY VALUE.**



**WARNING: STRANGULATION HAZARD**

Keep cord at least 3 feet away from cribs, bassinets and toddler beds. Keep out of reach of children under 3 years of age.

### ASSEMBLY & INSTALLATION

SHUT OFF THE MAIN ELECTRICAL SUPPLY FROM THE FUSE BOX OR CIRCUIT BREAKER PANEL.

1. Carefully remove all parts from the box and remove plastic coverings.
2. Install Crossbar (B) with Ceiling Loop (D) to the ceiling outlet box by using Mounting Screws (C).
3. Put Fixture Body(J) upside down on a flat surface, then remove Short Metal Bars (L) and Long Metal Bars (M) from Fixture Body (J) by loosening Screws (N) using Philips Screwdriver (O).

### ASSEMBLY & INSTALLATION CONT.

4. Install Top Glass Panels (Q) and Side Glass Panels (R) to Fixture Body (J) and secure with Short Metal Bars (L), Long Metal Bars (M) and Screws (N) by using Philips Screwdriver (O). DO NOT OVER TIGHTEN SCREWS.
5. Attach Center Tube (K) to Fixture Body (J).
6. Install Bulbs (P) into each of the sockets.
7. Unscrew the threaded collar on Carabiners (H) and attach it to Top Ring (I). Close the threaded collar to secure Fixture Body (J).
8. Let Canopy (E) and Lock Collar (F) go through Chain (G).
9. With the fixture dimension as a guide, shorten Chain (G) as needed using a pair of chain pliers.
10. Unscrew the threaded collar on the other chain end link and raise Fixture Body (J), then attach chain end link to Ceiling Loop (D). Close the threaded collar to secure.
11. Unwrap the wiring from the top of the Fixture Body (J). Weave the power supply cord and the ground wire through Chain (G).
12. When you reach Canopy (E) and Ceiling Loop (D), measure the wires and cut. Be certain to leave enough to connect inside of the ceiling outlet box.
13. Strip the insulation back on the two power supply wires about 5/8".
14. Twist the power supply and ground wire together and push through the center hole of Ceiling Loop (D).
15. Connect the fixture ground wire (bare) with the ground wire from the ceiling outlet box using a Wire Nut (A). If your house does not have ground wire, then attach this wire to the green grounding screw inside of the outlet box. IT IS IMPERATIVE THAT THIS FIXTURE BE GROUNDED.
16. Connect the fixture neutral wire (ribbed, no markings) with the neutral wire from the ceiling outlet box using a Wire Nut (A).
17. Connect the fixture hot wire (smooth edge, markings) with the hot wire from the ceiling outlet box using a Wire Nut (A). DO NOT REVERSE THE HOT AND NEUTRAL CONNECTIONS OR SAFETY WILL BE COMPROMISED.
18. Tuck these wire connections neatly into the ceiling outlet box to secure.
19. Attach Canopy (E) to Ceiling Loop (D) and secure with Lock Collar (F).
20. Installation is complete, turn on power at fuse or circuit breaker.

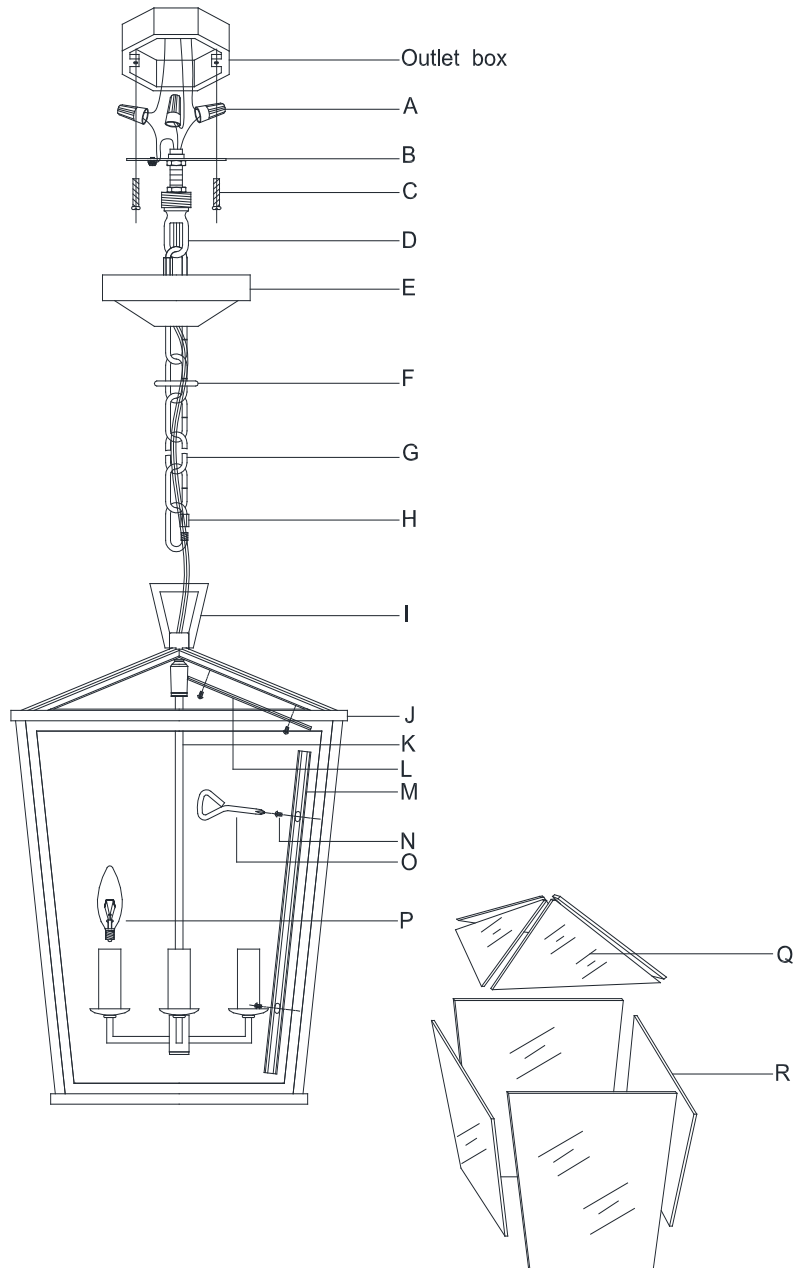
### CARE INSTRUCTIONS

Do not use polishes or cleaners on the fixture. Wipe clean with a soft, dry cloth.

19TH C. ENGLISH OPENWORK OUTDOOR PENDANT 17"

PARTS ENCLOSED

- (A) Wire Nuts (3)
- (B) Crossbar (1)
- (C) Mounting Screws (2)
- (D) Ceiling Loop (1)
- (E) Canopy (1)
- (F) Lock Collar (1)
- (G) Chain (1)
- (H) Carabiners (2)
- (I) Top Ring (1)
- (J) Fixture Body (1)
- (K) Center Tube (1)
- (L) Short Metal Bars (4)
- (M) Long Metal Bars (4)
- (N) Screws (16)
- (O) Philips Screwdriver (1)
- (P) Bulbs (4)
- (Q) Top Glass Panels (4)
- (R) Side Glass Panels (4)



## 19TH C. ENGLISH OPENWORK OUTDOOR PENDANT 17"

### IMPORTANT SAFETY INSTRUCTIONS

INSTALLATION BY A LICENSED ELECTRICIAN IS STRONGLY RECOMMENDED.

This fixture has been rated for up to four (4) 60-Watt E12 Type B candelabra lightbulbs (not included), four (4) 13-Watt compact fluorescent lightbulbs (not included), four (4) 5-Watt LED lightbulbs (not included). 40-Watt E12 Type B candelabra lightbulbs (included). To avoid the risk of fire, do not exceed the recommended wattage.

### WARNINGS

All wires are connected. When unpacking, be careful not to pull wires, as a bad connection may result. Do not connect electricity until your fixture is fully assembled. To reduce the risk of fire, electrical shock, or personal injury, always turn off fixture and allow it to cool prior to replacing the lightbulb. Do not touch or look directly at the bulb when fixture is illuminated. Keep flammable materials away from lit bulb.



**WARNING:** This product can expose you to lead, which is known to the State of California to cause cancer and birth defects or other reproductive harm. For more information, go to [www.P65Warnings.ca.gov](http://www.P65Warnings.ca.gov).

THIS PRODUCT IS NOT A TOY AND HAS NO PLAY VALUE.



**WARNING: STRANGULATION HAZARD**

Keep cord at least 3 feet away from cribs, bassinets, and toddler beds. Keep out of reach of children under 3 years of age.

### ASSEMBLY & INSTALLATION

SHUT OFF THE MAIN ELECTRICAL SUPPLY FROM THE FUSE BOX OR CIRCUIT BREAKER PANEL.

1. Carefully remove all parts from the box and remove plastic coverings.
2. Install Crossbar (B) with Ceiling Loop (D) to the ceiling outlet box by using Mounting Screws (C).
3. Put Fixture Body (J) upside down on a flat surface, then remove Short Metal Bars (L) and Long Metal Bars (M) from Fixture Body (J) by loosening Screws (N) using Philips Screwdriver (O).
4. Install Top Glass Panels (Q) and Side Glass Panels (R) to the Fixture Body (J) and secure with Short Metal Bars (L), Long Metal Bars (M) and Screws (N) by using the Philips Screwdriver (O). DO NOT OVER TIGHTEN SCREWS.

### ASSEMBLY & INSTALLATION CONT.

5. Attach Center Tube (K) to Fixture Body (J).
6. Install Bulbs (P) into each of the sockets.
7. Unscrew the threaded collar on Carabiners (H) and attach it to Top Ring (I). Close the threaded collar to secure Fixture Body (J).
8. Let Canopy (E) and Lock Collar (F) go through Chain (G).
9. With the fixture dimension as a guide, shorten Chain (G) as needed using a pair of chain pliers.
10. Unscrew the threaded collar on the other chain end link, raise the fixture then attach chain end link to Ceiling Loop (D). Close the threaded collar to secure.
11. Unwrap the wiring from the top of the fixture body. Weave the power supply cord and the ground wire through Chain (G).
12. When you reach Canopy (E) and Ceiling Loop (D), measure the wires and cut. Be certain to leave enough to connect inside of the outlet box.
13. Strip the insulation back on the two power supply wires about 5/8".
14. Twist the power supply and ground wire together and push through the center hole of Ceiling Loop (D).
15. Connect the fixture ground wire (bare) with the ground wire from the outlet box using a Wire Nut (A). If your house does not have ground wire, then attach this wire to the green grounding screw inside of the outlet box. IT IS IMPERATIVE THAT THIS FIXTURE BE GROUNDED.
16. Connect the fixture neutral wire (ribbed, no markings) with the neutral wire from the outlet box using a Wire Nut (A).
17. Connect the fixture hot wire (smooth edge, markings) with the hot wire from the outlet box using a Wire Nut (A). DO NOT REVERSE THE HOT AND NEUTRAL CONNECTIONS OR SAFETY WILL BE COMPROMISED.
18. Tuck these wire connections neatly into the ceiling outlet box to secure.
19. Attach Canopy (E) to Ceiling Loop (D), and secure with Lock Collar (F).
20. Installation is complete, turn on power at fuse or circuit breaker.

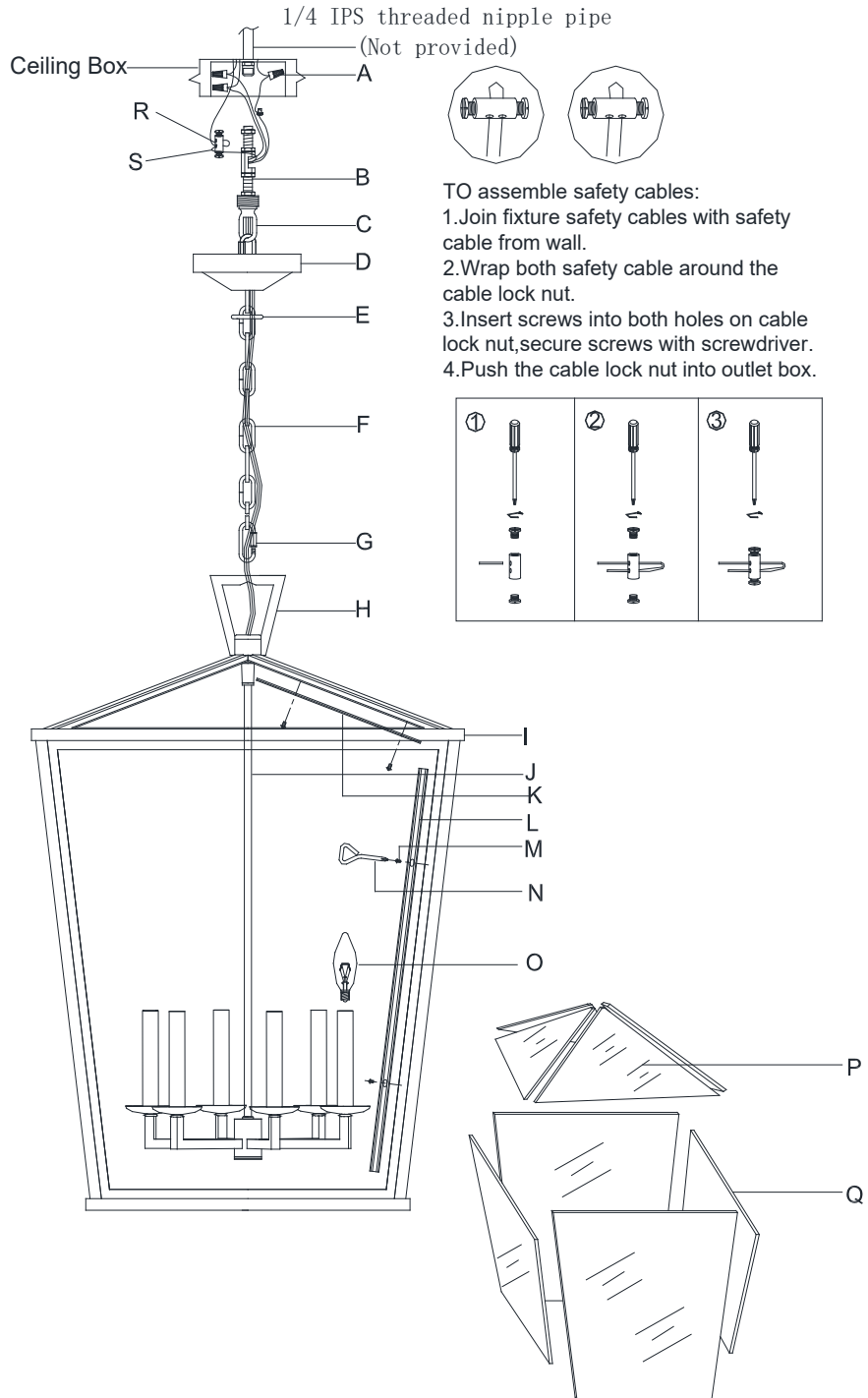
### CARE INSTRUCTIONS

Do not use polishes or cleaners on the fixture. Wipe clean with a soft, dry cloth.

ENGLISH OPENWORK OUTDOOR PENDANT 24"

PARTS ENCLOSED

- (A) Wire Nuts (3)
- (B) Threaded Nipple Pipe (1)
- (C) Ceiling Loop (1)
- (D) Canopy (1)
- (E) Lock Collar (1)
- (F) Chain (1)
- (G) Carabiners (2)
- (H) Top Ring (1)
- (I) Fixture Body (1)
- (J) Center Tube (1)
- (K) Short Metal Bars (4)
- (L) Long Metal Bars (4)
- (M) Screws (16)
- (N) Philips Screwdriver (1)
- (O) Bulbs (6)
- (P) Top Glass Panels (4)
- (Q) Side Glass Panels (4)
- (R) Cable Lock Nut (1)
- (S) Fixture Safety Cable (1)



## ENGLISH OPENWORK OUTDOOR PENDANT 24"

### IMPORTANT SAFETY INSTRUCTIONS

INSTALLATION BY A LICENSED ELECTRICIAN IS STRONGLY RECOMMENDED.

This fixture has been rated for up to four (4) 60-Watt E12 Type B candelabra lightbulbs (not included), four (4) 13-Watt compact fluorescent lightbulbs (not included) or four (4) 5-Watt LED lightbulbs (not included). 40-Watt E12 Type B candelabra lightbulbs is included. To avoid the risk of fire, do not exceed the recommended wattage.

### WARNINGS

All wires are connected. When unpacking, be careful not to pull wires, as a bad connection may result. Do not connect electricity until your fixture is fully assembled. To reduce the risk of fire, electrical shock, or personal injury, always turn off fixture and allow it to cool prior to replacing the lightbulb. Do not touch or look directly at the bulb when fixture is illuminated. Keep flammable materials away from lit bulb.



**WARNING:** This product can expose you to lead, which is known to the State of California to cause cancer and birth defects or other reproductive harm. For more information, go to [www.P65Warnings.ca.gov](http://www.P65Warnings.ca.gov).

THIS PRODUCT IS NOT A TOY AND HAS NO PLAY VALUE.



**WARNING: STRANGULATION HAZARD**

Keep cord at least 3 feet away from cribs, bassinets, and toddler beds. Keep out of reach of children under 3 years of age.

### ASSEMBLY & INSTALLATION

SHUT OFF THE MAIN ELECTRICAL SUPPLY FROM THE FUSE BOX OR CIRCUIT BREAKER PANEL.

1. Carefully remove all parts from the box and remove all plastic coverings.
2. A 1/4" threaded nipple must be installed into the ceiling outlet box, then install Threaded Nipple Pipe (B) into the ceiling outlet box.
3. Place Fixture Body (I) upside-down on the table. Remove Short Metal Bars (K) and Long Metal Bars (L) from Fixture Body (I) by loosening Screws (M) using Philips Screwdriver (N).
4. Install Top Glass Panels (P) and Side Glass Panels (Q) to Fixture Body (I), then replace Short Metal Bars (K) and Long Metal Bars (L). Secure in place with Screws (M) using Philips Screwdriver (N). DO NOT OVER TIGHTEN SCREWS.
5. Attach Center Tube (J) to Fixture Body (I).

### ASSEMBLY & INSTALLATION CONT.

6. Install Bulbs (O) into each of the sockets.
7. Unscrew the threaded collar on Carabiner (G) and attach it to Top Ring (H). Close the threaded collar to secure Fixture Body (I).
8. Let Canopy (D) and Lock Collar (E) go through Chain (F).
9. With the fixture dimension as a guide, shorten Chain (F) as needed using a pair of chain pliers.
10. Unscrew the threaded collar on the other Carabiner (G), raise Fixture Body (I), then attach Carabiner (G) to Ceiling Loop (C). Close the threaded collar to secure in place.
11. Unwrap the wiring from the top of Fixture Body (I). Weave the power supply cord and the ground wire through Chain (F).
12. When you reach Canopy (D) and Ceiling Loop (C), measure the wires and cut. Be certain to leave enough to connect inside of the ceiling outlet box.
13. Strip the insulation back on the two power supply wires about 5/8".
14. Twist the power supply and ground wire together and push through the center hole of Ceiling Loop (C).
15. Join Fixture Safety Cable (S) with the safety cable from the ceiling.
16. Wrap both safety cables around Cable Lock Nut (R).
17. Insert the screws into both holes of Cable Lock Nut (R) and secure using a screwdriver.
18. Push Cable Lock Nut (R) into the ceiling box.
19. Connect the fixture ground wire (bare) to the ground wire from the ceiling outlet box using Wire Nut (A). If your house does not have ground wire, then attach this wire to the green grounding screw inside of the outlet box. IT IS IMPERATIVE THAT THIS FIXTURE BE GROUNDED.
20. Connect the fixture neutral wire (ribbed, no markings) with the neutral wire from the outlet box using Wire Nut (A).
21. Connect the fixture hot wire (smooth edge, markings) with the hot wire from the ceiling outlet box using a Wire Nut (A). DO NOT REVERSE THE HOT AND NEUTRAL CONNECTIONS OR SAFETY WILL BE COMPROMISED.
22. Tuck these wire connections neatly into the ceiling outlet box to secure.
23. Affix Canopy (D) to Ceiling Loop (C) and secure with Lock Collar (E).
24. Installation is complete. Turn on power at fuse or circuit breaker.

### CARE INSTRUCTIONS

Do not use polishes or cleaners on the fixture. Wipe clean with a soft, dry cloth.