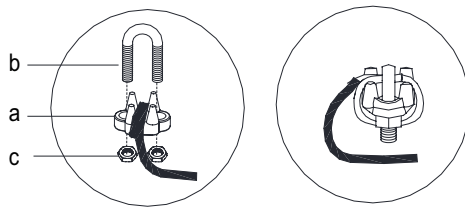


SAVILE GRAND RECTANGULAR SCONCE

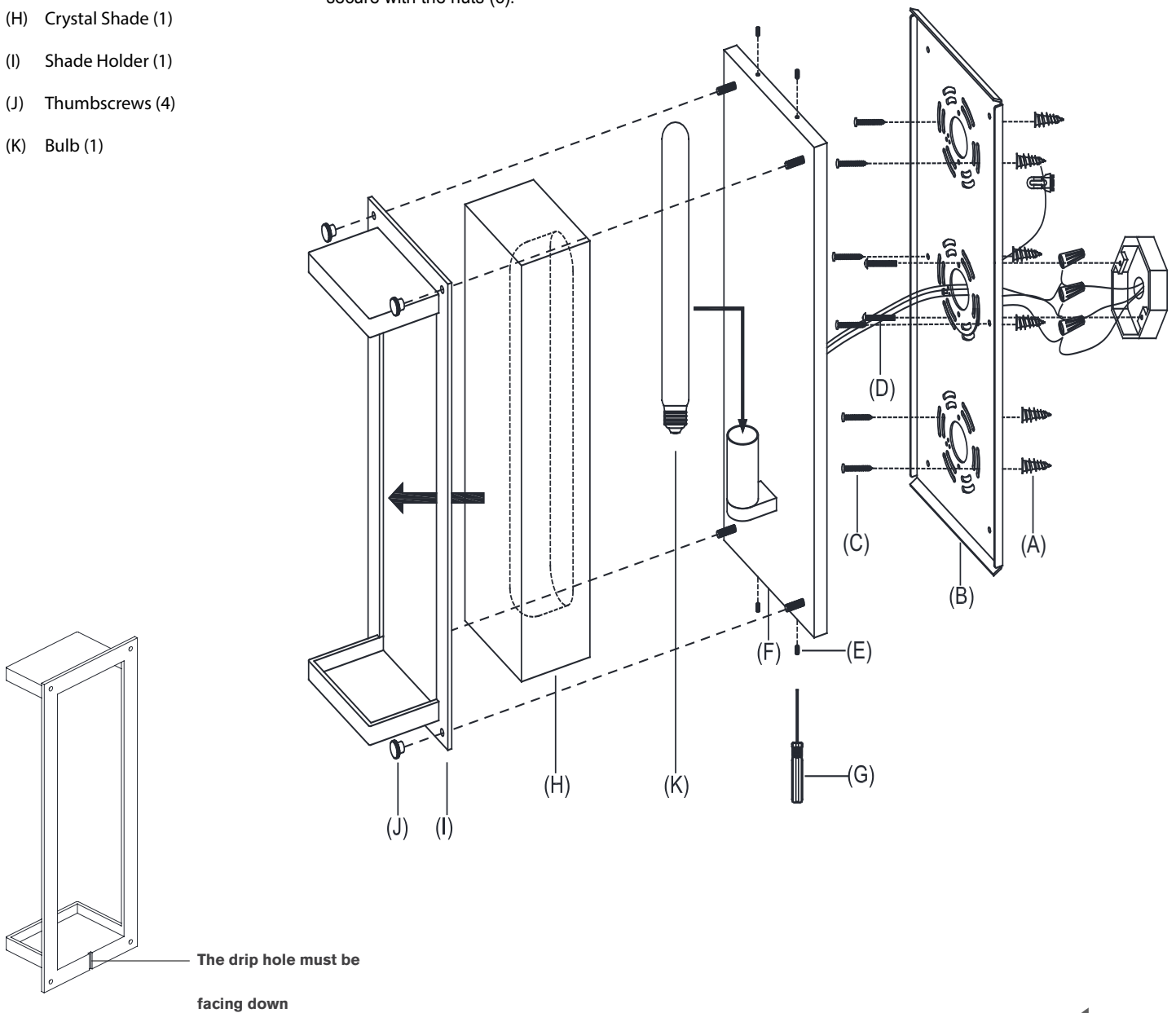
PARTS ENCLOSED

- (A) Metal Anchors (4)
- (B) Mounting Plate (1)
- (C) Wood Screws (6)
- (D) Mounting Screws (2)
- (E) Set Screws (4)
- (F) Lamp Base (1)
- (G) Screwdriver (1)
- (H) Crystal Shade (1)
- (I) Shade Holder (1)
- (J) Thumbscrews (4)
- (K) Bulb (1)



Install safety cable:

1. Wrap the safety cable into the slot hole on the mounting plate.
2. Wrap the safety cable around the saddle (a).
3. Insert U-bolt clip (b) into the saddle (a) and secure with the nuts (c).



SAVILE GRAND RECTANGULAR SCONCE

IMPORTANT SAFETY INSTRUCTIONS

INSTALLATION BY A LICENSED ELECTRICIAN IS STRONGLY RECOMMENDED.

This fixture has been rated for one (1) 40-watt Type T lightbulb (not included) or one (1) 5-watt SBLed lightbulb (included). To avoid the risk of fire, do not exceed the recommended wattage.

WARNINGS

All wires are connected. When unpacking, be careful not to pull wires, as a bad connection may result. Do not connect electricity until your fixture is fully assembled. To reduce the risk of fire, electrical shock, or personal injury, always turn off fixture and allow it to cool prior to replacing the lightbulb. Do not touch or look directly at the bulb when fixture is illuminated. Keep flammable materials away from lit bulb.



WARNING: This product can expose you to lead, which is known to the State of California to cause cancer and birth defects or other reproductive harm. For more information, go to www.P65Warnings.ca.gov.

THIS PRODUCT IS NOT A TOY AND HAS NO PLAY VALUE.



WARNING: STRANGULATION HAZARD

Keep cord at least 3 feet away from cribs, bassinets, and toddler beds. Keep out of reach of children under 3 years of age.

OUTDOOR INSTALLATION

1. Fixture must be mounted 4 feet from the ground.
2. Use silicone caulk to seal fixture where Mounting Plate (B) meets the surface to prevent water from seeping in.

ASSEMBLY & INSTALLATION

SHUT OFF THE MAIN ELECTRICAL SUPPLY FROM THE FUSE BOX OR CIRCUIT BREAKER PANEL.

1. Carefully remove all parts from the box and remove all plastic coverings.

ASSEMBLY & INSTALLATION CONT.

2. Remove Mounting Plate (B) from Lamp Base (F) by unscrewing Set Screws (E) with Screwdriver (G).
3. Place Mounting Plate (B) at desired location on the wall. Mark locations for six hanging holes with a pencil. Remove Mounting Plate (B).
4. Drill small holes on each pencil mark on the wall; each hole should be large enough to accommodate Metal Anchors (A). Push Metal Anchors (A) into the holes on the wall.
5. Attach Mounting Plate (B) to the wall outlet box by aligning the holes and secure by inserting Wood Screws (C) to Metal Anchors (A) and Mounting Screws (D) to the wall outlet box.
6. Remove Shade Holder (I) from Lamp Base (F) by unscrewing Thumbscrews (J).
7. Insert Bulb (K) into the socket.
8. Install Crystal Shade (H) into Shade Holder (I).
9. Install Shade Holder (I) with Crystal Shade (H) to Lamp Base (F) and secure Thumbscrews (J).
10. Connect the safety cable to the fixture as shown in the illustration on previous page.
11. Attach the fixture ground wire (green) to the ground wire from the outlet box (usually green) with a metal wire connector and wrap the connection with electrical tape.
12. Connect the hot wire (black) to the hot outlet box wire (usually black) with a plastic wire connector and wrap the connection with electrical tape.
13. Connect the neutral wire (white) to the neutral outlet wire (usually white) with a plastic wire connector and wrap the connection with electrical tape.
14. Attach Lamp Base (F) to the affixed Mounting Plate (B) and secure with Set Screws (E). Tighten using Screwdriver (G).
15. Restore power to outlet box and check operation of fixture.
16. Assembly is complete.

CARE INSTRUCTIONS

Do not use polishes or cleaners on the fixture. Wipe clean with a soft, dry cloth.