



TALLADO TRAVERTINE CONVEX TABLE LAMP

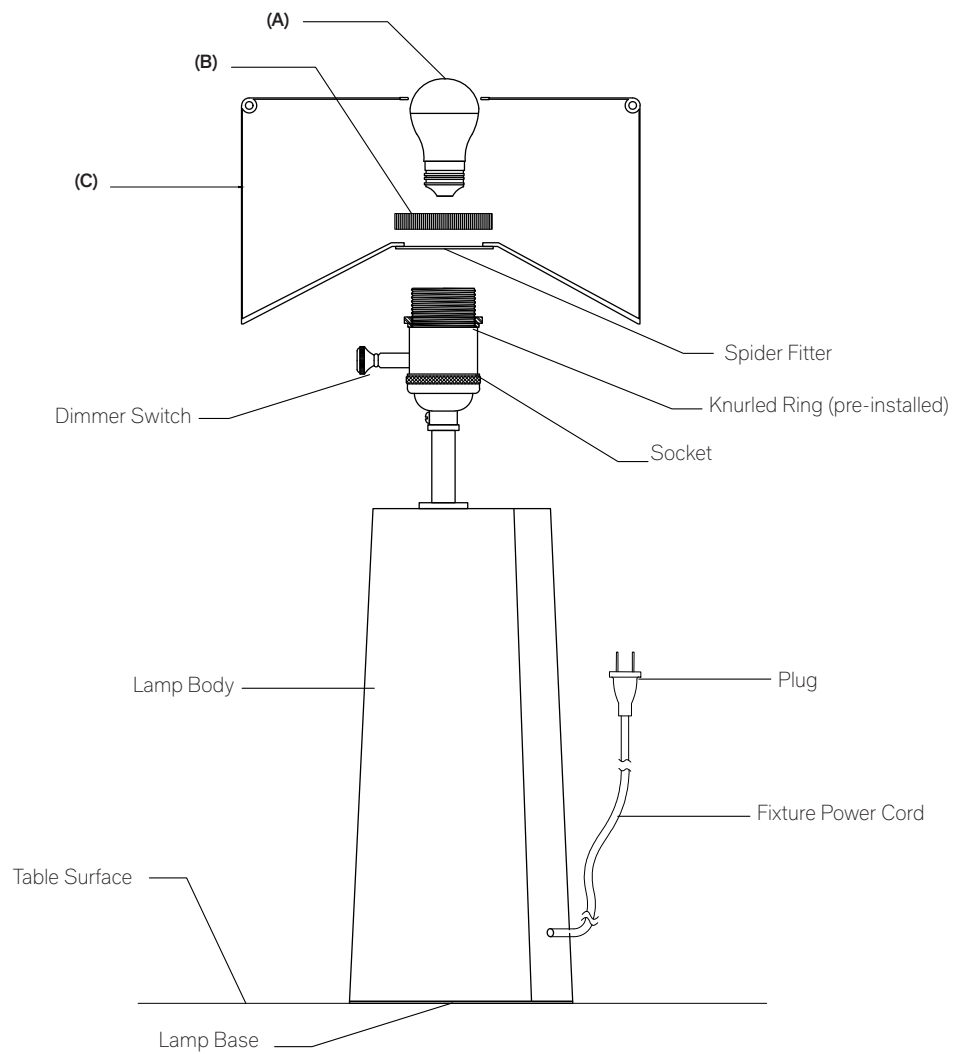
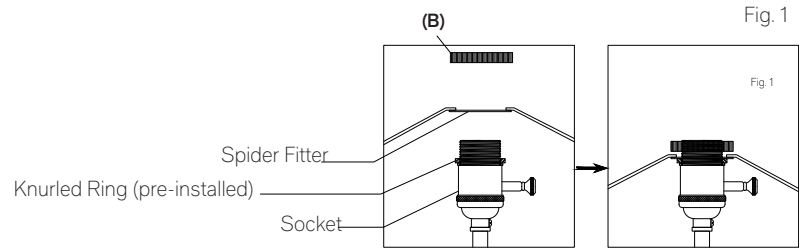
ASSEMBLY & INSTALLATION INSTRUCTIONS

ENGLISH

TALLADO TRAVERTINE CONVEX TABLE LAMP

PARTS INCLUDED

- (A) Lightbulb (1)
- (B) Knurled Ring (1)
- (C) Shade (1)



IMPORTANT: PLEASE READ

IMPORTANT SAFETY FEATURES

BULBS

This lamp has been rated for one (1) 15-watt maximum LED lightbulb or 100-watt maximum incandescent Type A19 E26 lightbulb. To avoid the risk of fire, do not exceed the recommended wattage.

DIMMER SWITCH COMPATIBILITY

This lamp is dimmer-switch compatible and may only be used with a forward-phase dimmer switch.

WARNINGS

All wires are connected. When unpacking, be careful not to pull wires, as damage may result. Do not connect electricity until the lamp is fully assembled. To reduce the risk of fire, electrical shock, or personal injury, always turn off lamp and allow it to cool prior to replacing the lightbulb. Do not touch or look directly at the bulb when lamp is illuminated. Keep flammable materials away from lit bulb.

WARNING: STRANGULATION HAZARD

Keep cord at least 3 feet away from cribs, bassinets, and toddler beds. Keep out of reach of children under 3 years of age.

THIS PRODUCT IS NOT A TOY AND HAS NO PLAY VALUE.

ASSEMBLY AND INSTALLATION

1. Unpack all parts and place them on a protected work surface.
2. Place the table lamp on a clean surface.
3. Carefully place the spider fitter attached to Shade (C) onto the pre-installed knurled ring attached to the socket, then secure both with Knurled Ring (B). See Fig. 1
4. Insert Lightbulb (A) into the socket.
5. Insert the plug into a power outlet.
6. Test lamp by turning on the dimmer switch.
7. Assembly is complete.

CARE INSTRUCTIONS

Wipe all surfaces with a soft, dry cloth. Clean glass with a mixture of mild soap and water. Do not use any harsh cleaners (including ammonia based products) or abrasives, as they will damage the finish.