

INSTALLATION AND SAFETY INSTRUCTIONS

FOR YOUR SAFETY

WARNING: BE SURE THE ELECTRICITY TO THE WIRES YOU ARE WORKING ON IS SHUT OFF. EITHER THE FUSE REMOVED OR THE CIRCUIT BREAKER OFF .

GENERAL

You don't need special tools to install this fixture. Be sure to follow the steps in the order given. Read instructions carefully. **If you are unclear as to how to proceed, consult a qualified electrician.**

NOTE: Proper wiring is essential for the safe operation of this fixture.

ASSEMBLY

Carefully remove the fixture from the carton and check that all parts are included, as shown in Figure 1 & 2. Be careful not to misplace any of the screws or parts which are needed to install this fixture.

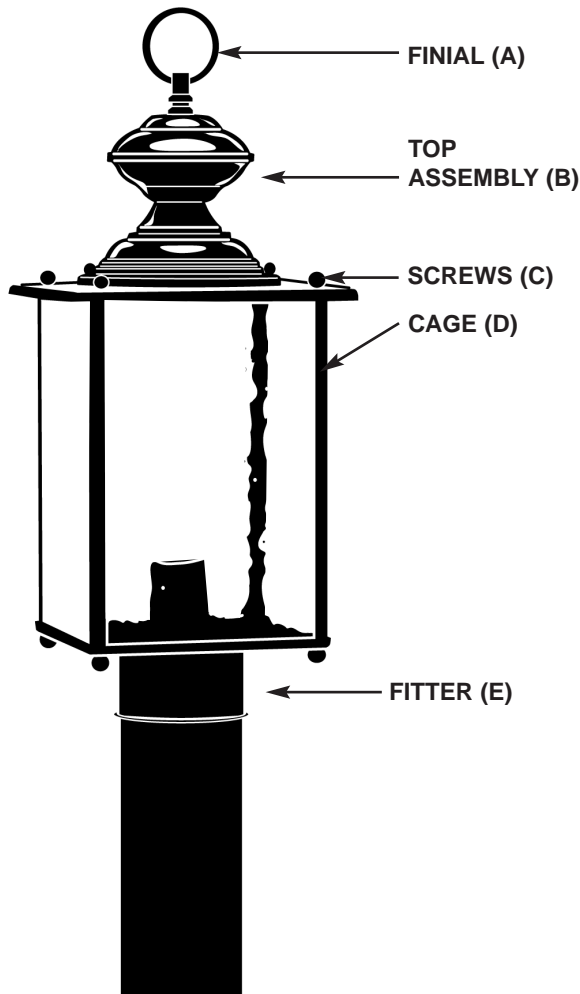
STEP 1:

Attach finial [A] to top assembly [B] of fixture (if not factory installed).

CAUTION:

Fixtures with photo-cells should be mounted at least 48" from all sides to avoid reflection of light back onto Photo-cell, causing the Photo-cell to malfunction or flicker.

(FIG. 1)



NOTE: To keep your solid polished brass fixture looking new for years to come, regularly apply a good quality non-abrasive car wax to all metal surfaces, giving the fixture an extra protective coating.

WARNING

NOTE: DO NOT INSTALL ON A POST OR A POLE THAT RESULTS IN A VERTICAL RISE OF 25 FEET OR HIGHER.

NOTE: This glass is handcrafted, the slight imperfections in the glass add to the authenticity of the fixture.

NOTE: Be sure that all sections of top finial are securely tightened to prevent water seepage into the fixture

STEP 2:

GROUND INSTRUCTIONS:

Connect the ground wire from the fixture (bare metal or green insulated wire) to the ground wire from the power supply (bare metal or green insulated wire) using a small wire connector (not supplied).

NEVER CONNECT GROUND WIRE TO BLACK OR WHITE POWER SUPPLY WIRES.

STEP 3:

Slide fitter (E) onto post. Secure in place.

FINAL ASSEMBLY

Make sure no bare wires can be seen outside wire connectors.

NOTE: IF GLASS PANELS ARE NOT INSTALLED, PLEASE FOLLOW THIS STEP: PLACE BOTTOM EDGE OF GLASS INTO CHANNEL. BEND TABS OVER EDGE TO SECURE IN PLACE.

STEP 1:

Install self ballasted lamp by twisting into socket gently.

STEP 2:

Place top assembly [B] onto cage [D] and secure in place with screws [C].

CLEANING

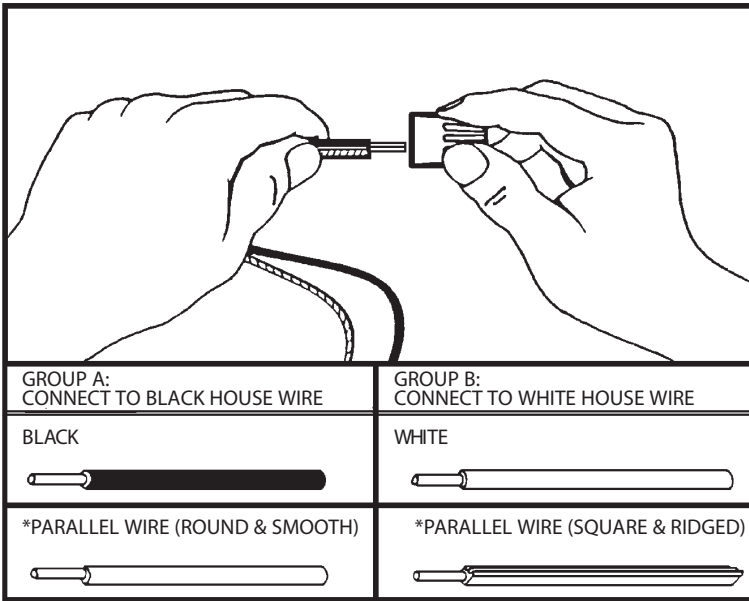
To clean, wipe fixture with a soft cloth. Clean glass with a mild soap. Do not use abrasive materials such as scouring pads or powders, steel wool or abrasive paper.

ORDERING PARTS

Keep this sheet for future reference, and in case you need to order replacement parts. All parts for this fixture can be ordered from place of purchase. Be sure to use exact wording from illustration when ordering parts.

STEP 1:

A. Take note of the color of the wire(s) on your fixture. Identify which group your fixture wire(s) falls into and connect the wires according to the directions below:



*Note: When parallel wire is used, the tracer wire is square shaped or ridged and less tracer wire is round in shape or smooth (Seen best when viewed from wire end). To separate wires, grasp the ends of each wire and pull apart.

- B.** Take your fixture wire(s) from group A and place evenly against the black wire from the outlet box. **DO NOT** twist wires together before using wire connectors.
- C.** Fit a wire connector (not supplied) over the wires and thread the connector clockwise until you feel a firm resistance.
- D.** Gently try to remove the wires from the connector, If you can remove the wires, carefully re-do steps B and C, as above and check again for a firm connection.
- E.** Connect the fixture wire from group B to the white wire from the outlet box in the same manner.

FIXTURES WITH A ONE PIECE LAMP / BALLAST COMBINATION

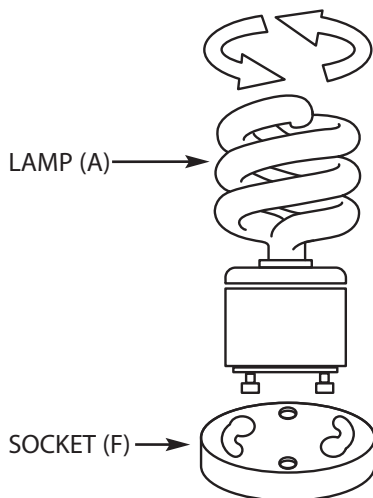


FIGURE 2