



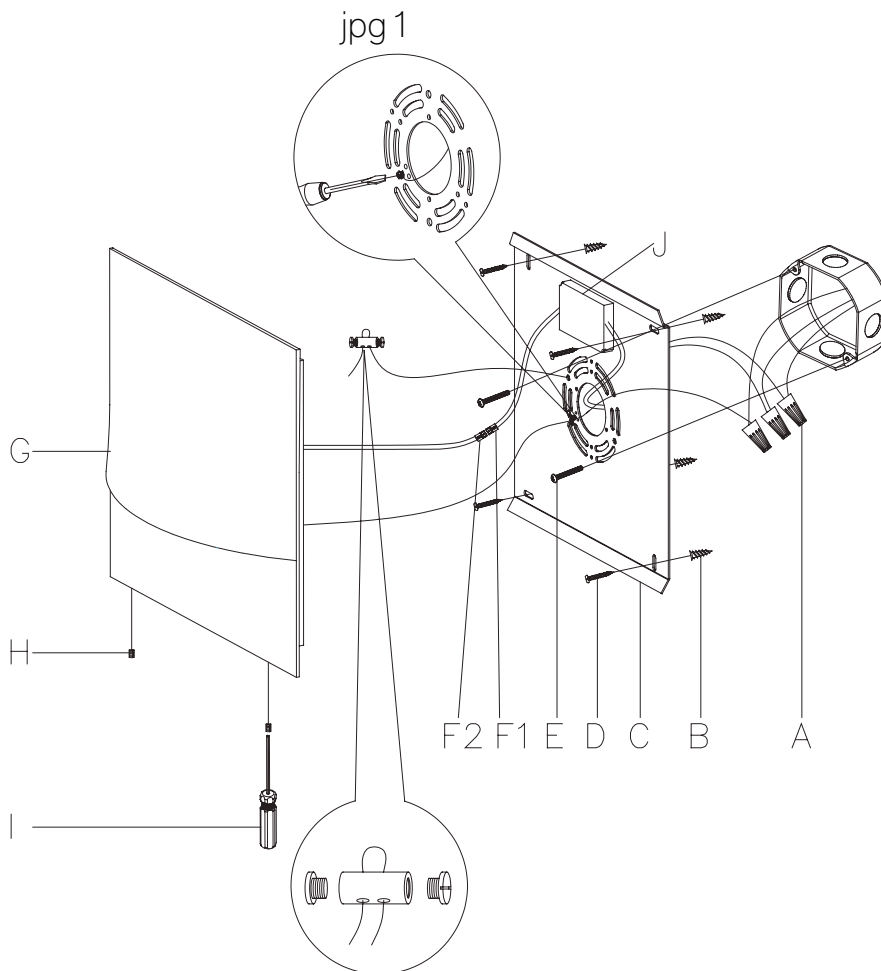
TAZA SQUARE SCONCE

ASSEMBLY AND INSTALLATION INSTRUCTIONS
ENGLISH

TAZA SQUARE SCONCE

PARTS INCLUDED

- (A) Wire Nuts (3)
- (B) Anchors (4)
- (C) Mounting Plate (1)
- (D) Wood Screws (4)
- (E) Mounting Screws (2)
- (F1) Wire Connector (1)
- (F2) Wire Connector (1)
- (G) Fixture Body (1)
- (H) Set Screws (2)
- (I) Hex Screwdriver (1)
- (J) Driver (1)



IMPORTANT: PLEASE READ

PLEASE FOLLOW THE ASSEMBLY INSTRUCTIONS CLOSELY. IMPROPER ASSEMBLY OR INSTALLATION CAN RESULT IN PERSONAL OR PROPERTY DAMAGE. MOUNTING HARDWARE HAS BEEN PROVIDED FOR MOUNTING DIRECTLY TO A JUNCTION BOX. UNIQUE OR ALTERNATIVE INSTALLATION METHODS MAY REQUIRE DIFFERENT MOUNTING HARDWARE, WHICH HAS NOT BEEN INCLUDED. ALWAYS CONSULT WITH A LICENSED ELECTRICIAN BEFORE INSTALLATION.

INSTALLATION BY A LICENSED ELECTRICIAN IS STRONGLY RECOMMENDED.

IMPORTANT SAFETY FEATURES**BULBS**

This fixture has been rated for up to three (3) 5-watt LED lightbulbs (included). To avoid the risk of fire, do not exceed the recommended wattage.

DIMMER SWITCH COMPATIBILITY

This fixture is dimmer-switch compatible, and may only be used with a TRIAC dimmer switch.

WARNINGS

All wires are connected. When unpacking, be careful not to pull wires, as damage may result. Do not connect electricity until the fixture is fully assembled. To reduce the risk of fire, electrical shock, or personal injury, always turn off fixture and allow it to cool prior to replacing the lightbulbs. Do not touch or look directly at the bulbs when fixture is illuminated. Keep flammable materials away from lit bulbs.



WARNING: This product can expose you to lead, which is known to the State of California to cause cancer and birth defects or other reproductive harm. For more information, go to www.P65Warnings.ca.gov.



WARNING: STRANGULATION HAZARD

Keep cord at least 3 feet away from cribs, bassinets, and toddler beds. Keep out of reach of children under 3 years of age.

THIS PRODUCT IS NOT A TOY AND HAS NO PLAY VALUE.

ASSEMBLY AND INSTALLATION**SHUT OFF THE MAIN ELECTRICAL SUPPLY FROM THE FUSE BOX OR CIRCUIT BREAKER PANEL.**

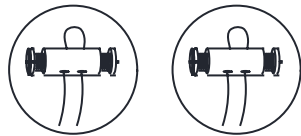
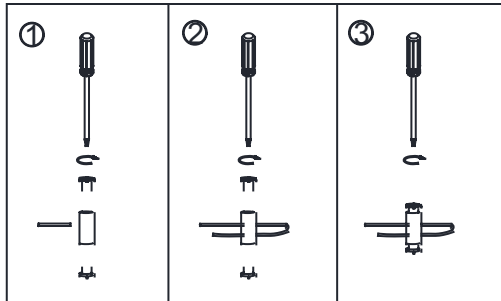
1. Carefully remove all parts from the box and remove all plastic coverings.
2. Loosen Set Screws (H) from Fixture Body (G) using Hex Screwdriver (I). Remove Mounting Plate (C) from Fixture Body (G).
3. Separate Wire Connector (F1) from Wire Connector (F2).
4. Secure Mounting Plate (C) to the wall junction box with Mounting Screws (E) and mark four holes on the wall through the screw holes on Mounting Plate (C).
5. Remove Mounting Plate (C). Drill four holes into the marked locations on the wall and push Anchors (B) into the wall.
6. Align Mounting Plate (C) with the wall junction box and anchor holes near on the wall. Secure the wall junction box with Mounting Screws (E) and Wood Screws (D) on Anchors (B).
7. Connect the input neutral wire (white) from Driver (J) to the neutral wire (usually white) from the wall junction box and secure with a Wire Nut (A).
8. Connect the input hot wire (black) from Driver (J) to the hot wire (usually black) from the wall junction box and secure with a Wire Nut (A). **DO NOT REVERSE THE HOT AND NEUTRAL CONNECTIONS OR SAFETY WILL BE COMPROMISED.**
9. Wrap the ground wire (usually green or bare copper) around the green ground screw (see Diagram 1). Tighten and connect to the wall junction box ground wire with a Wire Nut (A).
10. Make sure all wires are tightly connected and tuck all wires into the wall junction box.
11. Connect Wire Connector (F1) to Wire Connector (F2).
12. Install Fixture Body (G) on Mounting Plate (C). Tighten Set Screws (H) with Hex Screwdriver (I).
13. Installation is complete. Turn on power at fuse or circuit breaker.

CARE INSTRUCTIONS

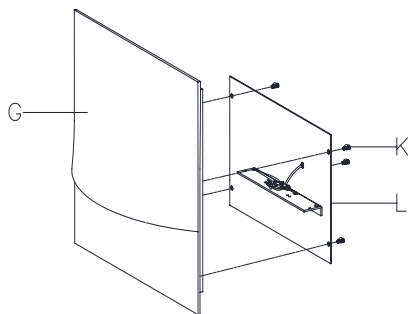
Do not use polishes or cleaners on the fixture. Wipe clean with a soft, dry cloth.

INSTALL SAFETY CABLE:

1. Run safety cable through junction box and around structural member of building.
2. Wrap both safety cables around the cable lock nut.
3. Insert screws into both holes on cable lock nut. Secure screws with screwdriver.

**LED COMPONENT REPLACEMENT STEPS**

1. Turn off power at fuse or circuit breaker.
2. Loosen Screws (K) from Fixture Body (G) to remove LED module (L).
3. Replace new LED Module (L). Secure with Screws (K).
4. LED replacement is complete. Turn on power at fuse or circuit breaker.

**FCC COMPLIANCE:**

NOTE: This equipment has been tested and found to comply with the limits for a Class B digital device, pursuant to Part 15 of the FCC Rules. These limits are designed to provide reasonable protection against harmful interference in a residential installation. This equipment generates, uses, and can radiate radio frequency energy and, if not installed and used in accordance with the instructions, may cause harmful interference to radio communications. However, there is no guarantee that interference will not occur in a particular installation. If this equipment does cause harmful interference to radio or television reception, which can be determined by turning the equipment off and on, the user is encouraged to try to correct the interference by one or more of the following measures:

- Reorient or relocate the receiving antenna.
- Increase the separation between the equipment and receiver.
- Connect the equipment into an outlet on a circuit different from that to which the receiver is connected.
- Consult the dealer or an experienced radio/TV technician for help.

This device complies with Part 15 of the FCC Rules. Operation is subject to the following two conditions: (1) This device may not cause harmful interference, and (2) This device must accept any interference received, including interference that may cause undesired operation. Caution: Changes or modifications not expressly approved by the party responsible for compliance could void the user's authority to operate the equipment.

IC COMPLIANCE:

This Class B digital apparatus complies with CAN ICES-005 (B) /NMB-005(B).