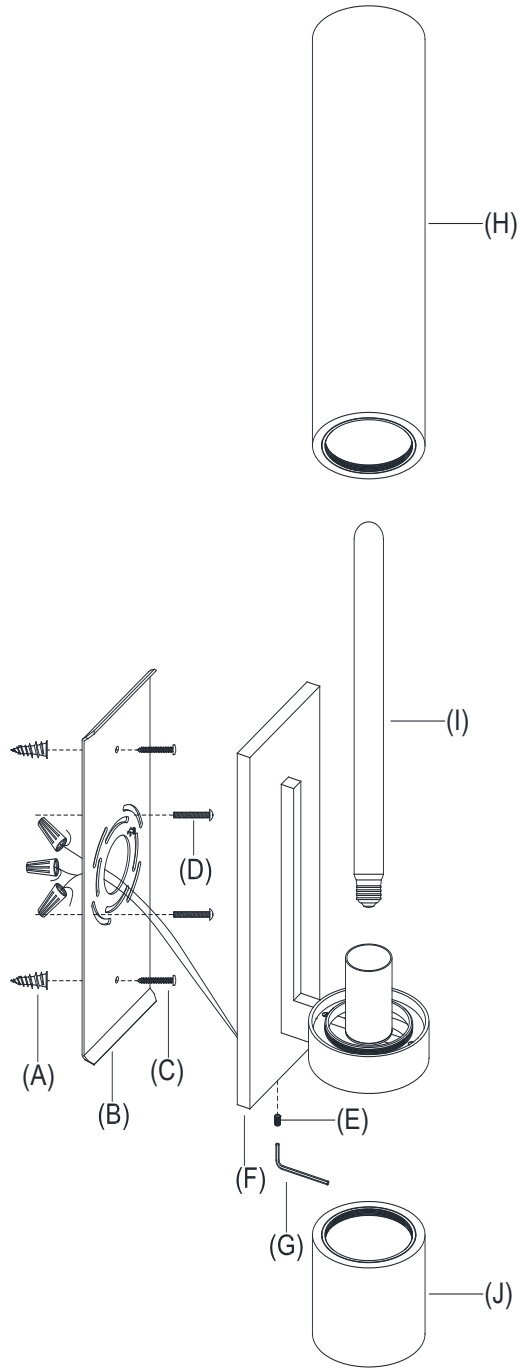


RAVELLE SINGLE OUTDOOR SCONCE 18"

PARTS ENCLOSED

- (A) Metal Anchors (2)
- (B) Mounting Plate (1)
- (C) Wall Screws (2)
- (D) Mounting Screws (2)
- (E) Set Screws (4)
- (F) Lamp Base (1)
- (G) Allen Wrench (1)
- (H) Glass Shade (1)
- (I) Bulb (1)
- (J) Glass Cylinder (1)



## RAVELLE SINGLE OUTDOOR SCONCE 18"

### IMPORTANT SAFETY INSTRUCTIONS

INSTALLATION BY A LICENSED ELECTRICIAN IS STRONGLY RECOMMENDED.

This fixture has been rated for one (1) 40-Watt maximum TYPE T lightbulb (J) (included) or one (1) 9-Watt SBLED lightbulb (not included). To avoid the risk of fire, do not exceed the recommended wattage.

### WARNINGS

All wires are connected. When unpacking, be careful not to pull wires, as a bad connection may result. Do not connect electricity until your fixture is fully assembled. To reduce the risk of fire, electrical shock, or personal injury, always turn off fixture and allow it to cool prior to replacing the lightbulb. Do not touch or look directly at the bulb when fixture is illuminated. Keep flammable materials away from lit bulb.



**WARNING:** This product can expose you to lead, which is known to the State of California to cause cancer and birth defects or other reproductive harm. For more information, go to [www.P65Warnings.ca.gov](http://www.P65Warnings.ca.gov).

THIS IS NOT A TOY AND THE PRODUCT HAS NO PLAY VALUE.



**WARNING: STRANGULATION HAZARD**

Keep cord at least 3 ft away from cribs, bassinets, and toddler beds. Keep out of reach of children under 3.

### OUTDOOR INSTALLATION

1. Fixture must be mounted 4 feet from the ground.
2. Use silicone caulk to seal the fixture (where the mounting plate meets the surface) to prevent water from seeping into the fixture.

### ASSEMBLY & INSTALLATION

SHUT OFF THE MAIN ELECTRICAL SUPPLY FROM THE FUSE BOX OR CIRCUIT BREAKER PANEL.

1. Carefully remove all parts from the box and remove all plastic covering.
2. Remove Mounting Plate (B) from the Lamp Base (F) by unscrewing Set Screw (E) with Allen Wrench (G).
3. Place Mounting Plate (B) at desired location on the wall. Mark center point locations for two hanging holes with a pencil. Remove Mounting Plate (B).
4. Drill small holes on each point location on the wall; each hole should be large enough to accommodate a Metal Anchor (A). Push Metal Anchors (A) into the holes in the wall.
5. Align the holes and attach Mounting Plate (1) to the wall outlet. Secure by inserting Wall Screws (C) into the Metal Anchors (A) and Mounting Screws (D) into the wall outlet box and tightening the screws.
6. Attach the fixture ground wire (GREEN) to the ground wire from the outlet box (usually green) with a metal wire connector and wrap the connection with electrical tape.
7. Connect the hot wire (BLACK) to the hot outlet box wire (usually black) with a plastic wire connector and wrap the connection with electrical tape.
8. Connect the neutral wire (WHITE) to the neutral outlet wire (usually white) with a plastic wire connector and wrap the connection with electrical tape.
9. Attach Lamp Base (F) to the affixed Mounting Plate (B) and secure with Set Screw (E). Tighten with Allen Wrench (G).
10. Insert Bulb (I) into socket.
11. Screw Glass Cylinder (J) onto bottom of shade holder on Fixture Base (F); screw Glass Shade (H) onto top of shade holder on Fixture Base (F).
12. Restore power to outlet box and check operation of fixture.
13. Assembly is complete.

### CARE INSTRUCTIONS

Do not use polishes or cleaners on your lamp. Just wipe clean with a soft cloth.