

Hicks Large Pendant

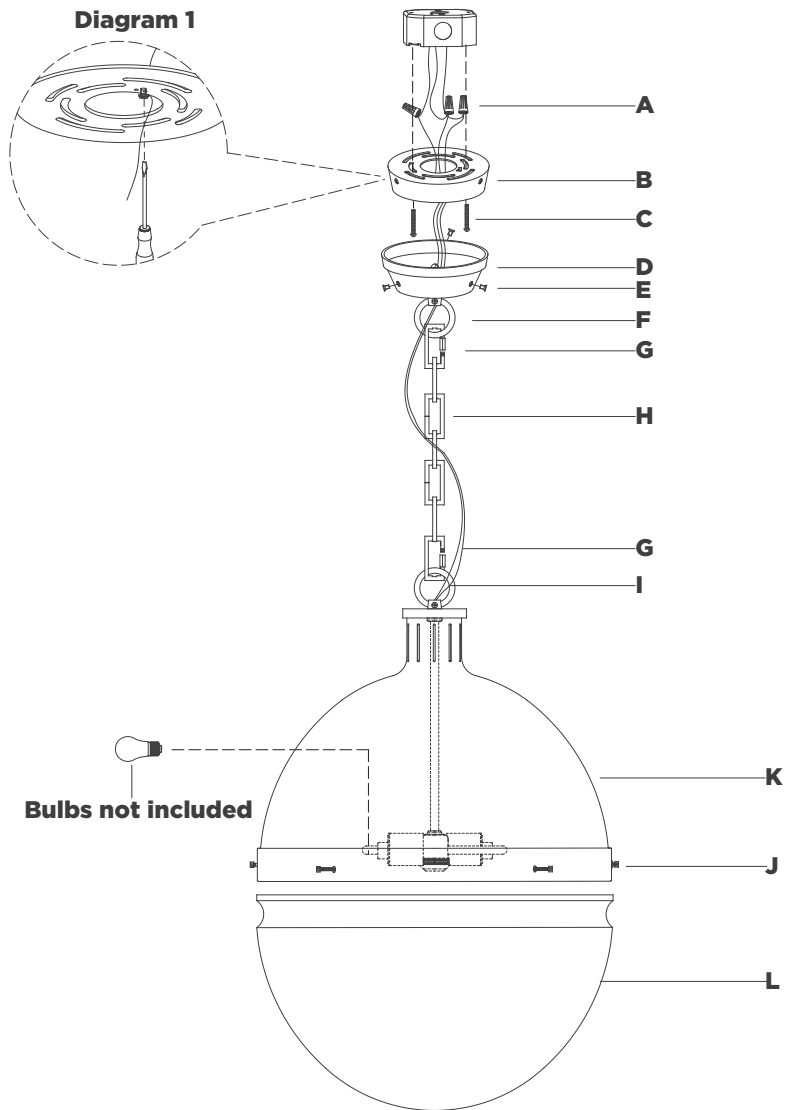
Item # TOB5063

NOTICE:

This light fixture should be installed in accordance with all applicable, local installation codes, and by a person familiar with the construction and operation of it, as well as the hazards involved. Inspect item and contents carefully. If any damage or defect is found, do not install. Retain all packaging material until installation is complete and approved.

TOOLS REQUIRED (NOT INCLUDED):

Phillips Screwdriver Slotted Screwdriver



1. Carefully remove all parts from the box. Place on a clean, soft surface.
2. Remove mounting plate **(B)** from canopy **(D)** by removing screws **(E)**.
3. Install mounting plate **(B)** to the junction box and secure with mounting screws **(C)**.
4. Determine desired overall length, and amount of chain **(H)** needed. Shorten chain using chain pliers. (Keep extra chain)
5. Attach chain **(H)** to canopy loop **(F)** and to fixture loop **(I)** using quick links **(G)**. Secure quick links **(G)**.
6. Thread fixture wire and ground wire through chain **(H)**.
NOTE: When you reach the canopy loop **(F)**, ensure there is no tension on the wires. Cut excess wires, being sure to leave enough to reach the junction box.
7. Separate two sides of molded wire, and strip insulation on each 5/8".
8. Wrap fixture ground wire (bare copper) around the green grounding screw (see diagram 1). Tighten. Continue fixture ground wire and connect to supply ground wire (usually green or bare copper) using wire nut **(A)**.

NOTE: It is imperative that the fixture is grounded.

ASSEMBLY INSTRUCTIONS

Hicks Large Pendant Item # TOB5063

NOTICE:

This light fixture should be installed in accordance with all applicable, local installation codes, and by a person familiar with the construction and operation of it, as well as the hazards involved. Inspect item and contents carefully. If any damage or defect is found, do not install. Retain all packaging material until installation is complete and approved.

9. Connect fixture neutral wire (ribbed) to the supply neutral wire (usually white) using wire nut **(A)**.
10. Connect fixture hot wire (smooth with markings) to the supply hot wire (usually black) using wire nut **(A)**.
CAUTION: Do not reverse the hot and neutral connections.
11. Make sure all wire connections are tight, then carefully tuck into the junction box.
12. Install canopy **(D)** to mounting plate **(B)** and secure with screws **(E)**.
13. Install light bulbs into the sockets.
14. Remove thumbscrews **(J)**, then install shade **(L)** to fixture body **(K)** and secure with the thumbscrews **(J)**.
NOTE: Do not overtighten otherwise glass shade could be damaged.

CARE INSTRUCTIONS: Clean only with a soft dry cloth or feather duster. Do not use abrasive or chemical agents.

